



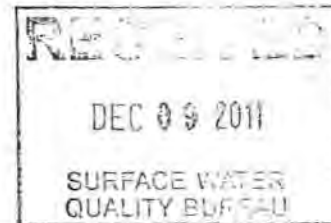
NM0028  
Permit  
Mod.

Environmental Protection Division  
Water Quality & RCRA Group (ENV-RCRA)  
P.O. Box 1663, M704  
Los Alamos, New Mexico 87545  
(505) 667-0666/FAX (505) 667-5224

National Nuclear Security Administration  
Los Alamos Site Office, A316  
3747 West Jemez Road  
Los Alamos, New Mexico 87545  
(505) 667-5794/FAX (505) 667-5948

Date: November 16, 2011  
Refer To: ENV-RCRA-11-0251  
LAUR: 11-11960

Ms. Hannah Branning  
U.S. Environmental Protection Agency, Region 6  
Water Quality Protection Division  
Planning and Analysis Branch (6EN)  
1445 Ross Avenue, Suite 1200  
Dallas, Texas 75202-2733



Dear Ms. Branning:

**SUBJECT: LOS ALAMOS NATIONAL LABORATORY, NPDES PERMIT NO. NM0028355, NOTICE OF PLANNED CHANGE AT NPDES OUTFALL 051**

The National Pollutant Discharge Elimination System (NPDES) Permit No. NM0028355 for the National Nuclear Security Administration (NNSA) and Los Alamos National Security, LLC (LANS) at Los Alamos National Laboratory (the Laboratory) requires the permittees to notify the U. S. Environmental Protection Agency (EPA) regarding any physical alterations or additions to the permitted facility that could significantly change the nature or increase the quantity of pollutants discharged (see Part III.D.1.a. *Reporting Requirements*).

The purpose of this letter is to notify EPA of changes to the TA-50 Radioactive Liquid Waste Treatment Facility (RLWTF) process schematic previously submitted with the Notice of Planned Change, dated September 28, 2011 (reference ENV-RCRA-11-0204). The changes include re-naming the two reverse osmosis treatments to "Primary" Reverse Osmosis (formerly Reverse Osmosis) and "Secondary" Reverse Osmosis (formerly Sea Water RO), and the addition of comments explaining that treatments paths can differ depending upon water quality. This notification is being provided for clarification purposes only, even though neither of these name changes will change the nature of or increase the quantity of pollutants discharged at NPDES Outfall 051. Enclosed for your review is a revised schematic for the treatment of wastewater received at RLWTF (Enclosure 1). The revisions have been highlighted.

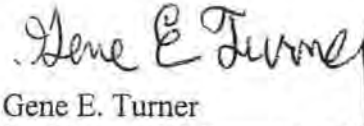
Please contact Marc Bailey at (505) 665-8135 or Mike Saladen at (505) 665-6085 of the Water Quality and RCRA Group (ENV-RCRA) if you have questions.

Sincerely,



for Anthony R. Grieggs  
Group Leader  
Water Quality & RCRA Group  
Los Alamos National Security, LLC

Sincerely,



Gene E. Turner  
Environmental Permitting Manager  
Environmental Projects Office  
Los Alamos Site Office  
National Nuclear Security Administration

ARG:GET:MB/lm

Cy: Isaac Chen, USEPA/Region 6, Dallas, TX, w/enc.  
James Bearzi, NMED/SWQB, Santa Fe, NM, w/enc.  
Jerry Schoeppner, NMED/GWQB, Santa Fe, NM, w/enc.  
Jim Davis, NMED/RPD, Santa Fe, NM, w/enc.  
George Rael, LASO-EO, w/enc., A316  
Steve Yanicak, LASO-GOV, w/enc., M894  
Carl A. Beard, PADOPS, w/o enc., AI02  
Michael T. Brandt, ADESH, w/o enc., K491  
Vincent P. Worland, TA-55-RLW, w/enc., E518  
Chris Del Signore, TA-55-RLW, w/enc., E518  
Mike Saladen, ENV-RCRA, w/o enc., K490, (E-File)  
Marc Bailey, ENV-RCRA, w/enc., K490, (E-File)  
Bob Beers, ENV-RCRA, w/enc., K490, (E-File)  
ENV-RCRA File, w/enc., M704  
IRM-RMMSO, w/enc., AI50

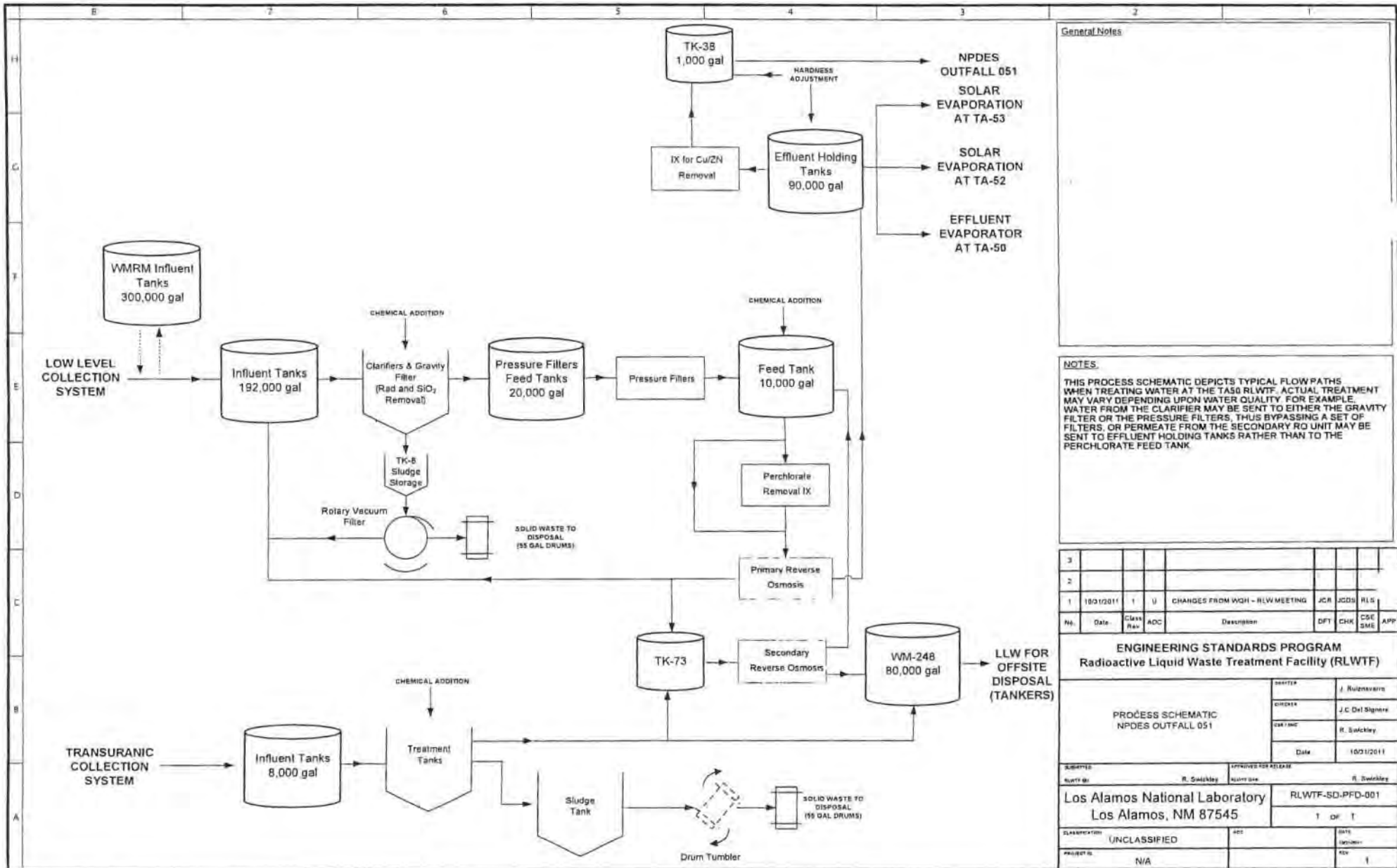
# **ENCLOSURE 1**

**Notice of Planned Change  
NPDES Permit No. NM0028355**

**Outfall 051  
Process Schematic Revision 11-14-2011**

**ENV-RCRA-11-0251**

**LAUR-11-11960**



General Notes

**NOTES:**  
 THIS PROCESS SCHEMATIC DEPICTS TYPICAL FLOW PATHS WHEN TREATING WATER AT THE TA50 RLWTF. ACTUAL TREATMENT MAY VARY DEPENDING UPON WATER QUALITY. FOR EXAMPLE, WATER FROM THE CLARIFIER MAY BE SENT TO EITHER THE GRAVITY FILTER OR THE PRESSURE FILTERS, THUS BYPASSING A SET OF FILTERS. OR PERMEATE FROM THE SECONDARY RO UNIT MAY BE SENT TO EFFLUENT HOLDING TANKS RATHER THAN TO THE PERCHLORATE FEED TANK.

No.	Date	Class. Rev.	ADC	Description	DFT	CHK	CDC	SME	APP
1	10/12/2011	1	U	CHANGES FROM WQH - RLW MEETING	JCR	JCD	RLS		

**ENGINEERING STANDARDS PROGRAM**  
**Radioactive Liquid Waste Treatment Facility (RLWTF)**

PROCESS SCHEMATIC  
 NPDES OUTFALL 051

DESIGNER	J. Ruiznavarro
CHECKER	J.C. DelSignere
DRAWING	R. Swickley
DATE	10/12/2011

SUBMITTED BY	R. Swickley	APPROVED FOR RELEASE	R. Swickley
PROJECT NO.	RLWTF-SD-PFD-001		
CLASSIFICATION	(UNCLASSIFIED)	DATE	10/12/2011
PROJECT ID	N/A	REV	1