

Table of Contents

7.1 Organic Liquid Storage Tanks	3
7.1.1 General.....	3
7.1.1.1 Scope.....	3
7.1.1.2 Process Description.....	4
7.1.2 Emission Mechanisms And Control	8
7.1.2.1 Fixed Roof Tanks.....	8
7.1.2.2 Floating Roof Tanks.....	9
7.1.3 Emission Estimation Procedures.....	14
7.1.3.1 Routine Losses From Fixed Roof Tanks.....	16
7.1.3.2 Routine Losses From Floating Roof Tanks	31
7.1.3.3 Floating Roof Landing Losses	38
7.1.3.4 Tank Cleaning Emissions.....	38
7.1.3.5 Flashing Loss	56
7.1.3.6 Variable Vapor Space Tanks.....	56
7.1.3.7 Pressure Tanks	57
7.1.3.8 Variations Of Emission Estimation Procedures.....	58
7.1.4 Speciation Methodology	63
Figure 7.1-1. Typical fixed-roof tank.....	67
Figure 7.1-2. External floating roof tank (pontoon type).....	68
Figure 7.1-3. External floating roof tank (double deck)	69
Figure 7.1-4. Internal floating roof tank	70
Figure 7.1-5. Domed external floating roof tank	71
Figure 7.1-6. Vapor-mounted primary seals	72
Figure 7.1-7. Liquid-mounted and mechanical shoe primary seals	73
Figure 7.1-8. Secondary rim seals.....	74
Figure 7.1-9. Deck fittings for floating roof tanks	75
Figure 7.1-10. Deck fittings for floating roof tanks	76
Figure 7.1-11. Slotted and unslotted guidepoles.....	77
Figure 7.1-12. Ladder well.....	78
Figure 7.1-13a. True vapor pressure of crude oils with a Reid vapor pressure of 2 to 15 pounds per square inch	79
Figure 7.1-13a. True vapor pressure of crude oils with a Reid vapor pressure of 2 to 15 pounds per square inch.....	79
Figure 7.1-14a. True vapor pressure of refined petroleum stocks with a Reid vapor pressure of 1 to 20 pounds per square inch.....	80
Figure 7.1-13b. Equation for true vapor pressure of crude oils with a Reid vapor pressure of 2 to 15 pounds per square inch.....	82
Figure 7.1-14b. Equation for true vapor pressure of refined petroleum stocks with a Reid vapor pressure of 1 to 20 pounds per square inch	82
Figure 7.1-15. Equations to determine vapor pressure constants A and B for refined	82
Figure 7.1-16. Equations to determine vapor pressure Constants A and B for crude oil stocks.....	83
Figure 7.1-17. Equations for the average daily maximum and minimum liquid surface temperatures	83
Figure 7.1-18. Reserved.....	84
Figure 7.1-19. Vapor pressure function	85
Figure 7.1-20. Bottom conditions for landing loss	86
Figure 7.1-21. Ladder-slotted guidepole combination with ladder sleeve.....	86
Figure 7.1-22. Slotted-guidepole with flexible enclosure.....	87

Table 7.1-1. LIST OF ABBREVIATIONS USED IN THE TANK EQUATIONS	90
Table 7.1-2. PROPERTIES (M_V , M_L , P_{VA} , W_L) OF SELECTED PETROLEUM LIQUIDS	92
Table 7.1-3. PHYSICAL PROPERTIES OF SELECTED PETROCHEMICALS	93
Table 7.1-4. Height of the Liquid Heel and vapor space under a landed floating roof.....	100
Table 7.1-5. LEL VALUES FOR SELECTED COMPOUNDS.....	101
Table 7.1-6. PAINT SOLAR ABSORPTANCE	102
Table 7.1-7. METEOROLOGICAL DATA (T_{AX} , T_{AN} , V , I , P_A) FOR SELECTED U.S. LOCATIONS	103
Table 7.1-8. RIM-SEAL LOSS FACTORS, K_{Ra} , K_{Rb} , and n , FOR FLOATING ROOF TANKS.....	140
Table 7.1-9. RESERVED	141
Table 7.1-10. AVERAGE CLINGAGE FACTORS, C_S	142
Table 7.1-11. TYPICAL NUMBER OF COLUMNS AS A FUNCTION OF TANK DIAMETER FOR INTERNAL FLOATING ROOF TANKS WITH COLUMN- SUPPORTED FIXED ROOFS	142
Table 7.1-12. DECK-FITTING LOSS FACTORS, K_{Fa} , K_{Fb} , AND m , AND TYPICAL NUMBER OF DECK FITTINGS, N_F	143
Table 7.1-13. EXTERNAL FLOATING ROOF TANKS: TYPICAL NUMBER OF VACUUM BREAKERS, N_{vb} , AND DECK DRAINS, N_d	146
Table 7.1-14. EXTERNAL FLOATING ROOF TANKS: TYPICAL NUMBER OF ROOF LEGS, N_l	147
Table 7.1-15. INTERNAL FLOATING ROOF TANKS: TYPICAL NUMBER OF DECK LEGS, N_l , AND STUB DRAINS, N_d	148
Table 7.1-16. DECK SEAM LENGTH FACTORS (S_D) FOR TYPICAL DECK CONSTRUCTIONS FOR INTERNAL FLOATING ROOF TANKS	148
Table 7.1-17. ROOF LANDING LOSSES FOR INTERNAL OR DOMED EXTERNAL FLOATING ROOF TANK WITH A LIQUID HEEL.....	149
Table 7.1-18. ROOF LANDING LOSSES FOR EXTERNAL FLOATING ROOF TANK WITH A LIQUID HEEL.....	149
Table 7.1-19. ROOF LANDING LOSSES FOR ALL DRAIN-DRY TANKS.....	151
Table 7.1-20. TANK CLEANING EQUATIONS – VAPOR SPACE PURGE EMISSIONS.....	152
Table 7.1-21. TANK CLEANING EQUATIONS – CONTINUED FORCED VENTILATION EMISSIONS	153
7.1.5 Sample Calculations.....	154
7.1.6 Historical Equations.....	200
7.1.6.1 Average Daily Vapor Pressure Range.....	200
7.1.6.2 Fixed Roof Tank Working Loss.....	200

7.1 Organic Liquid Storage Tanks

7.1.1 General

7.1.1.1 Scope

Section 7.1 presents emissions estimating methodologies for storage tanks of various types and operating conditions. The methodologies are intended for storage tanks that are properly maintained and in normal working condition. The methodologies do not address conditions of deteriorated or otherwise damaged materials of construction, nor do they address operating conditions that differ significantly from the scenarios described herein. To estimate losses that occur from underground gasoline storage tanks at service stations, please see AP-42 Section 5.2, “Transportation and Marketing of Petroleum Liquids.”

Sections 7.1.3.1 and 7.1.3.2 present emissions estimating methodologies for routine emissions from fixed roof tanks and floating roof tanks. Use of the terminology “routine emissions” to refer to standing and working losses applies only for the purposes of this document, and not for any other air quality purposes such as New Source Review (NSR) permitting. The equations for routine emissions were developed to estimate average annual losses for storage tanks, but provisions for applying the equations to shorter periods of time are addressed in Section 7.1.3.8.1. The equations for routine emissions are a function of temperatures that are derived from a theoretical energy transfer model. In order to simplify the calculations, default values were assigned to certain parameters in the energy transfer equations. The accuracy of the resultant equations for an individual tank depends upon how closely that tank fits the assumptions inherent to these default values. The associated uncertainty may be mitigated by using measured values for the liquid bulk temperature. The equations for routine emissions are not intended to include emissions from the following events (these are addressed separately):

- a) To estimate losses that result from the landing of a floating roof. A separate methodology is presented for floating roof landing losses in Section 7.1.3.3.
- b) To estimate losses that result from cleaning a tank. A separate methodology is presented for tank cleaning losses in Section 7.1.3.4.
- c) To estimate losses from variable vapor space tanks. Variable vapor space tanks are discussed in Section 7.1.3.6.
- d) To estimate losses from equipment leaks associated with pressure tanks designed as closed systems without emissions to the atmosphere. Pressure tanks are discussed in Section 7.1.3.7.

Section 7.1.3.8 addresses the following additional scenarios that are outside the scope of the methodologies for routine emissions presented in Sections 7.1.3.1 and 7.1.3.2.

- e) Time periods shorter than one year. Certain assumptions in the equations for routine emissions are based on annual averages, and thus the equations have greater uncertainty for a period of time less than a year. Section 7.1.3.8.1 addresses application of the equations to time periods shorter than one year, with the caveat that a one-month time frame is recommended as the shortest time period for which routine emissions should be estimated using these methodologies.
- f) Internal floating roof tanks with closed vent systems. The equations for routine emissions from internal floating roof tanks assume that the tank has open vents in the fixed roof.

Section 7.1.3.8.2 addresses estimation of emissions when an internal floating roof tank has closed pressure/vacuum vents.

- g) Case-specific liquid surface temperature determination. Several parameters pertaining to liquid surface temperature are assigned default values for incorporation into the equations for routine emissions. Section 7.1.3.8.3 presents methodology to account for these parameters as variables in the estimation of emissions from a particular storage tank at a particular location.
- h) Heating cycles in fixed roof tanks. The equations for standing loss from fixed roof tanks are based on a daily cycle of warming and cooling of the vapor space due to heat exchange between the vapor space and ambient air through the shell and roof of the tank. This heat exchange results in daytime expansion and nighttime contraction of vapors in the vapor space, with each expansion causing some portion of the vapors to be expelled from the vapor space. A similar cycle of expansion and contraction of the vapors may be driven by cyclic heating of the bulk liquid. Section 7.1.3.8.4 provides guidance for adapting the equations for fixed roof tank standing loss to the case of cyclic heating of the bulk liquid.

Section 7.1.4 presents calculations for applying Raoult's Law to calculate the contribution of individual chemical species to the total emissions.

Section 7.1.5 presents worked examples, with estimated emissions shown to two significant figures. This level of precision is chosen arbitrarily and may overstate the accuracy of the loss estimates given the uncertainty associated with the multiple parameters affecting emissions from storage tanks.

Section 7.1.6 contains equations that have been used historically to obtain approximate values, but which have been replaced with more accurate equations.

7.1.1.2 Process Description¹⁻³

Storage tanks containing organic liquids can be found in many industries, including (1) petroleum producing and refining, (2) petrochemical and chemical manufacturing, (3) bulk storage and transfer operations, and (4) other industries consuming or producing organic liquids.

Six basic types of designs are used for organic liquid storage tanks: fixed roof (vertical and horizontal), external floating roof, domed external (or covered) floating roof, internal floating roof, variable vapor space, and pressure (low and high). A brief description of each tank is provided below. Loss mechanisms associated with each type of tank are described in Section 7.1.2.

The emission estimating equations presented in Section 7.1 were developed by the American Petroleum Institute (API). API retains the copyright to these equations. API has granted permission for the nonexclusive; noncommercial distribution of this material to governmental and regulatory agencies. However, API reserves its rights regarding all commercial duplication and distribution of its material. Therefore, the material presented in Section 7.1 is available for public use, but the material cannot be sold without written permission from the American Petroleum Institute and the U. S. Environmental Protection Agency.

7.1.1.2.1 Fixed Roof Tanks

A typical vertical fixed roof tank is shown in Figure 7.1-1. This type of tank consists of a cylindrical steel shell with a permanently affixed roof, which may vary in design from cone- or dome-shaped to flat. Losses from fixed roof tanks are caused by changes in temperature, pressure, and liquid level.

Fixed roof tanks are either freely vented or equipped with a pressure/vacuum vent. The latter allows the tanks to operate at a slight internal pressure or vacuum to prevent the release of vapors during small changes in temperature, pressure, or liquid level. Fixed roof tanks may have additional vents or hatches, referred to as emergency vents, to provide increased vent flow capacity in the event of excessive pressure in the tank. Of current tank designs, the fixed roof tank is the least expensive to construct and is generally considered the minimum acceptable equipment for storing organic liquids.

Horizontal fixed roof tanks are constructed for both above-ground and underground service and are usually constructed of steel, steel with a fiberglass overlay, or fiberglass-reinforced polyester. Horizontal tanks are generally small storage tanks with capacities of less than 40,000 gallons. Horizontal tanks are constructed such that the length of the tank is not greater than six times the diameter to ensure structural integrity. Horizontal tanks are usually equipped with pressure-vacuum vents, gauge hatches and sample wells, and manholes to provide access.

The potential emission sources for above-ground horizontal tanks are the same as those for vertical fixed roof tanks. Emissions from underground storage tanks are associated mainly with changes in the liquid level in the tank. Losses due to changes in temperature or barometric pressure are minimal for underground tanks because the surrounding earth limits the diurnal temperature change, and changes in the barometric pressure result in only small losses. However, standing losses from underground gasoline tanks, which can experience relatively fast vapor growth after the ingestion of air and dilution of the headspace, are addressed in Section 5.2 of AP-42.

7.1.1.2.2 External Floating Roof Tanks

A typical external floating roof tank (EFRT) consists of an open-top cylindrical steel shell equipped with a roof that floats on the surface of the stored liquid. The floating roof consists of a deck, deck fittings, and a rim seal system. Floating decks that are currently in use are constructed of welded steel plate and are most commonly of two general types: pontoon or double-deck. Pontoon-type and double-deck-type external floating roof tanks are shown in Figures 7.1-2 and 7.1-3, respectively. With all types of external floating roof tanks, the roof rises and falls with the liquid level in the tank. External floating decks are equipped with a rim seal system, which is attached to the deck perimeter and contacts the tank wall. The purpose of the floating roof and rim seal system is to reduce evaporative loss of the stored liquid. Some annular space remains between the seal system and the tank wall. The seal system slides against the tank wall as the roof is raised and lowered. The floating deck is also equipped with deck fittings that penetrate the deck and serve operational functions. The external floating roof design is such that routine evaporative losses from the stored liquid are limited to losses from the rim seal system and deck fittings (standing loss) and any liquid on the tank walls that is exposed by the lowering of the liquid level associated with the withdrawal of liquid (working loss). Because of the open-top configuration of this tank, wind effects have a significant impact on evaporative losses from this type of tank.

7.1.1.2.3 Internal Floating Roof Tanks

An internal floating roof tank (IFRT) has both a permanent fixed roof and a floating roof inside. There are two basic types of internal floating roof tanks: tanks in which the fixed roof is supported by vertical columns within the tank, and tanks with a self-supporting fixed roof and no internal support columns. Fixed roof tanks that have been retrofitted to use a floating roof are typically of the first type. External floating roof tanks that have been converted to internal floating roof tanks typically have a self-supporting roof. Newly constructed internal floating roof tanks may be of either type. The deck in internal floating roof tanks rises and falls with the liquid level and either floats directly on the liquid surface (contact deck) or rests on pontoons several inches above the liquid surface (noncontact deck). The majority of aluminum internal floating roofs currently in service have noncontact decks. A typical internal floating roof tank is shown in Figure 7.1-4.

Contact decks include (1) aluminum sandwich panels that are bolted together, with a honeycomb aluminum core floating in contact with the liquid; (2) pan steel decks floating in contact with the liquid, with or without pontoons; and (3) resin-coated, fiberglass reinforced polyester (FRP), buoyant panels floating in contact with the liquid. Variations on these designs are also available. The majority of internal contact floating decks currently in service are aluminum sandwich panel-type or pan steel-type. The FRP decks are less common. The panels of pan steel decks are usually welded together.

Noncontact decks are the most common type currently in use. Typical noncontact decks are constructed of an aluminum deck and an aluminum grid framework supported above the liquid surface by tubular aluminum pontoons or some other buoyant structure. The noncontact decks usually have bolted deck seams.

Installing a floating roof minimizes evaporative losses of the stored liquid. Both contact and noncontact decks incorporate rim seals and deck fittings for the same purposes previously described for external floating roof tanks. Evaporative losses from floating roofs may come from deck fittings, nonwelded deck seams, and the annular space between the deck and tank wall. In addition, these tanks are freely vented by circulation vents at the top of the fixed roof. The vents minimize the possibility of organic vapor accumulation in the tank vapor space in concentrations approaching the flammable range. An internal floating roof tank not freely vented is considered an internal floating roof tank with a closed vent system. Emission estimation methods for such tanks are addressed in Section 7.1.3.8.2.

7.1.1.2.4 Domed External Floating Roof Tanks

Domed external (or covered) floating roof tanks have the heavier type of deck used in external floating roof tanks as well as a fixed roof at the top of the shell like internal floating roof tanks. Domed external floating roof tanks usually result from retrofitting an external floating roof tank with a fixed roof. This type of tank is very similar to an internal floating roof tank with a welded deck and a self-supporting fixed roof. A typical domed external floating roof tank is shown in Figure 7.1-5.

As with the internal floating roof tanks, the function of the fixed roof with respect to emissions is not to act as a vapor barrier, but to block the wind. The estimations of rim seal losses and deck fitting losses include a loss component that is dependent on wind speed and a loss component that is independent of wind speed. When a tank is equipped with a fixed roof, the wind-dependent component is zero due to the blocking of the wind by the fixed roof, leaving only the wind-independent loss component.

The type of fixed roof most commonly used is a self-supporting aluminum dome roof, which is of bolted construction. Like the internal floating roof tanks, these tanks are freely vented by circulation vents at the top and around the perimeter of the fixed roof. The deck fittings and rim seals, however, are identical to those on external floating roof tanks. In the event that the floating deck is replaced with the lighter IFRT-type deck, the tank would then be considered an internal floating roof tank.

The distinction between a domed external floating roof tank and an internal floating roof tank is primarily for purposes of recognizing differences in the deck fittings when estimating emissions. In particular, the domed external floating roof deck typically has significantly taller leg sleeves than are typical of an internal floating roof deck. The longer leg sleeves of the domed external floating roof deck have lower associated emissions than the shorter leg sleeves of the internal floating roof deck. While a domed external floating roof tank is distinct from an internal floating roof tank for purposes of estimating emissions, the domed external floating roof tank would be deemed a type of internal floating roof tank under air regulations that do not separately specify requirements for a domed external floating roof tank.

7.1.1.2.5 Variable Vapor Space Tanks

Variable vapor space tanks are equipped with expandable vapor reservoirs to accommodate vapor volume fluctuations attributable to temperature and barometric pressure changes. Although variable vapor space tanks are sometimes used independently, they are normally connected to the vapor spaces of one or more fixed roof tanks. The two most common types of variable vapor space tanks are lifter roof tanks and flexible diaphragm tanks.

Lifter roof tanks have a telescoping roof that fits loosely around the outside of the main tank wall. The space between the roof and the wall is closed by either a wet seal, which is a trough filled with liquid, or a dry seal, which uses a flexible coated fabric.

Flexible diaphragm tanks use flexible membranes to provide expandable volume. They may be either separate gasholder units or integral units mounted atop fixed roof tanks. A variable vapor space tank that utilizes a flexible diaphragm will emit standing losses to the extent that the flexible diaphragm is permeable or there is leakage through the seam where the flexible diaphragm is attached to the tank wall.

A variable vapor space tank will emit vapors during tank filling when vapor is displaced by liquid, if the tank's vapor storage capacity is exceeded.

7.1.1.2.6 Pressure Tanks

Two classes of pressure tanks are in general use: low pressure (2.5 to 15 psig) and high pressure (higher than 15 psig). Pressure tanks generally are used for storing organic liquids and gases with high vapor pressures and are found in many sizes and shapes, depending on the operating pressure of the tank. Low-pressure tanks are equipped with a pressure/vacuum vent that is set to prevent venting loss from boiling and breathing loss from daily temperature or barometric pressure changes. High-pressure storage tanks can be operated so that virtually no evaporative or working losses occur. In low-pressure tanks, working losses can occur with atmospheric venting of the tank during filling operations. Vapor losses from low-pressure tanks storing non-boiling liquids are estimated in the same manner as for fixed roof tanks, with the vent set pressure accounted for in both the standing and working loss equations.

7.1.2 Emission Mechanisms And Control²⁻⁸

Emissions from the storage of organic liquids occur because of evaporative loss of the liquid during its storage and as a result of changes in the liquid level. The emission mechanisms vary with tank design, as does the relative contribution of each type of emission mechanism. Emissions from fixed roof tanks are a result of evaporative losses during storage (known as breathing losses or standing losses) and evaporative losses during filling operations (known as working losses). External and internal floating roof tanks are emission sources because of evaporative losses that occur during standing storage and withdrawal of liquid from the tank. Standing losses are a result of evaporative losses through rim seals, deck fittings, and/or deck seams. The loss mechanisms for routine emissions from fixed roof and external and internal floating roof tanks are described in more detail in this section.

7.1.2.1 Fixed Roof Tanks

The two significant types of routine emissions from fixed roof tanks are standing and working losses. The standing loss mechanism for a fixed roof tank is known as breathing, which is the expulsion of vapor from a tank through vapor expansion and contraction that results from changes in temperature and barometric pressure. This loss occurs without any liquid level change in the tank. The emissions estimating methodology presented in Section 7.1 assumes the barometric pressure to be constant, and standing losses from fixed roof tanks are attributed only to changes in temperature. As vapors expand in the vapor space due to warming, the pressure of the vapor space increases and expels vapors from the tank through the vent(s) on the fixed roof. If the venting is of a type that is closed in the absence of pressure, such as a weighted-pallet pressure-vacuum vent, then vapors are assumed to not be expelled until the pressure in the vapor space exceeds the set pressure of the vent.

The evaporative loss from filling is called working loss. Emissions due to filling operations are the result of an increase in the liquid level in the tank. As the liquid level increases, the pressure inside the vapor space increases and vapors are expelled from the tank through the vent(s) on the fixed roof as described above for standing loss. No emissions are attributed to emptying, in that the increasing size of the vapor space during emptying is assumed to exceed the rate at which evaporation increases the volume of vapors. That is, it would be expected that flow through the vents during emptying would be into the tank, and thus there are no emissions actually occurring during emptying of a fixed roof tank.

A third type of emissions from fixed roof tanks is commonly referred to as flashing losses. This emission type is not an evaporative loss, but rather involves entrained gases bubbling out of solution when a liquid stream experiences a pressure drop upon introduction into a storage tank. As such, it occurs only in storage tanks that receive pressurized liquid streams containing entrained gases. This scenario is typical of storage tanks receiving liquids from a separator in oil and gas production operations, but does not typically occur at downstream facilities. Flashing losses are discussed in Section 7.1.3.5, but guidance for estimating flashing losses is beyond the scope of this section.

Fixed roof tank emissions from standing and working vary as a function of tank capacity, vapor pressure of the stored liquid, utilization rate of the tank, and atmospheric conditions at the tank location.

Several methods are used to control emissions from fixed roof tanks. Emissions from fixed roof tanks can be controlled by installing an internal floating roof and seals to minimize evaporation of the

product being stored. The control efficiency of this method ranges from 60 to 99 percent, depending on the type of roof and seals installed and on the type of organic liquid stored.

Fixed roof tank emissions may also be reduced by increasing the vent set pressure, and routine emissions may be eliminated if the vent set pressure is higher than the pressure that develops in the vapor space during normal operations. See Section 7.1.3.7 for a discussion of estimating emissions from pressure tanks. However, the structural design of most storage tanks would not normally accommodate internal pressures of the magnitude required to significantly reduce emissions, and thus vent set pressures should not be altered without consideration of the tank design including all appropriate safety factors. Subjecting a storage tank to greater pressure or vacuum than that for which the tank was designed could potentially result in failure of the tank.

Vapor balancing is another means of emission control. Vapor balancing is probably most common in the filling of tanks at gasoline service stations. As the storage tank is filled, the vapors expelled from the storage tank are directed to the emptying gasoline tanker truck. The truck then transports the vapors to a centralized station where a vapor recovery or control system may be used to control emissions. Vapor balancing can have control efficiencies as high as 90 to 98 percent if the vapors are subjected to vapor recovery or control. If the truck vents the vapor to the atmosphere instead of to a recovery or control system, no control is achieved.

Vapor recovery systems collect emissions from storage tanks and convert them to liquid product. Several vapor recovery procedures may be used, including vapor/liquid absorption, vapor compression, vapor cooling, vapor/solid adsorption, or a combination of these.

Vapors from fixed roof tanks may also be collected and combusted. There are several types of units at facilities used to accomplish this, including various types of flares and thermal oxidation units.

7.1.2.2 Floating Roof Tanks

Routine emissions from floating roof tanks are the sum of working losses and standing losses. The working loss mechanism for a floating roof tank is also known as withdrawal loss, in that it occurs as the liquid level, and thus the floating roof, is lowered rather than raised. Some liquid remains on the inner tank wall surface and evaporates. For an internal floating roof tank that has a column supported fixed roof, some liquid also clings to the columns and evaporates. Evaporative loss occurs until the tank is filled and the exposed surfaces are again covered. Standing losses from floating roof tanks include rim seal and deck fitting losses for floating roof tanks with welded decks and include deck seam losses for constructions other than welded decks. Both the working and standing loss mechanisms for floating roof tanks pertain to the accumulation of vapors in the headspace above the floating roof. It is assumed that vapors in the headspace will eventually be expelled from the tank, but this emission estimating methodology does not address the rate or time at which the vapors actually leave the tank.

Rim seal losses can occur through many complex mechanisms, but for external floating roof tanks, the majority of rim seal vapor losses have been found to be wind induced. No dominant wind loss mechanism has been identified for internal floating roof or domed external floating roof tank rim seal losses. Losses can also occur due to permeation of the rim seal material by the vapor or via a wicking effect of the liquid, but permeation of the rim seal material generally does not occur if the correct seal fabric is used. Testing has indicated that breathing, solubility, and wicking loss mechanisms are small in

comparison to the wind-induced loss. The rim seal factors presented in this section incorporate all types of losses.

The rim seal system is used to allow the floating roof to rise and fall within the tank as the liquid level changes. The rim seal system also helps to fill the annular space between the rim and the tank shell and therefore minimize evaporative losses from this area. A rim seal system may consist of just a primary seal or a primary and a secondary seal, which is mounted above the primary seal. Examples of primary and secondary seal configurations are shown in Figures 7.1-6, 7.1-7, and 7.1-8.

The primary seal serves as a vapor conservation device by closing the annular space between the edge of the floating deck and the tank wall. Three basic types of primary seals are used on floating roofs: mechanical (metallic) shoe, resilient filled (nonmetallic), and flexible wiper seals. Some primary seals on external floating roof tanks are protected by a weather shield. Weather shields may be of metallic, elastomeric, or composite construction and provide the primary seal with longer life by protecting the primary seal fabric from deterioration due to exposure to weather, debris, and sunlight. Mechanical shoe seals, resilient filled seals, and wiper seals are discussed below.

A mechanical shoe seal uses a light-gauge metallic band as the sliding contact with the shell of the tank, as shown in Figure 7.1-7. The band is formed as a series of sheets (shoes) which are joined together to form a ring and are held against the tank shell by a mechanical device. The shoes are normally 3 to 5 feet deep when used on an external floating roof and are often shorter when used on an internal floating roof. Expansion and contraction of the ring can be provided for as the ring passes over shell irregularities or rivets by jointing narrow pieces of fabric into the ring or by crimping the shoes at intervals. The bottoms of the shoes extend below the liquid surface to confine the rim vapor space between the shoe and the floating deck.

The rim vapor space, which is bounded by the shoe, the rim of the floating deck, and the liquid surface, is sealed from the atmosphere by bolting or clamping a coated fabric, called the primary seal fabric, which extends from the shoe to the rim to form an "envelope". Two locations are used for attaching the primary seal fabric. The fabric is most commonly attached to the top of the shoe and the rim of the floating deck. To reduce the rim vapor space, the fabric can be attached to the shoe and the floating deck rim near the liquid surface. Rim vents can be used to relieve any excess pressure or vacuum in the vapor space.

A resilient filled seal can be mounted to eliminate the vapor space between the rim seal and liquid surface (liquid mounted) or to allow a vapor space between the rim seal and the liquid surface (vapor mounted). Both configurations are shown in Figures 7.1-6 and 7.1-7. Resilient filled seals work because of the expansion and contraction of a resilient material to maintain contact with the tank shell while accommodating varying annular rim space widths. These rim seals allow the roof to move up and down freely, without binding.

Resilient filled seals typically consist of a core of open-cell foam encapsulated in a coated fabric. The seals are attached to a mounting on the deck perimeter and extend around the deck circumference. Polyurethane-coated nylon fabric and polyurethane foam are commonly used materials. For emission control, it is important that the attachment of the seal to the deck and the radial seal joints be vapor-tight and that the seal be in substantial contact with the tank shell.

Wiper seals generally consist of a continuous annular blade of flexible material fastened to a mounting bracket on the deck perimeter that spans the annular rim space and contacts the tank shell. This type of seal is depicted in Figure 7.1-6. New tanks with wiper seals may have dual wipers, one mounted above the other. The mounting is such that the blade is flexed, and its elasticity provides a sealing pressure against the tank shell.

Wiper seals are vapor mounted; a vapor space exists between the liquid stock and the bottom of the seal. For emission control, it is important that the mounting be vapor-tight, that the seal extend around the circumference of the deck and that the blade be in substantial contact with the tank shell. Two types of materials are commonly used to make the wipers. One type consists of a cellular, elastomeric material tapered in cross section with the thicker portion at the mounting. Rubber is a commonly used material; urethane and cellular plastic are also available. All radial joints in the blade are joined. The second type of material that can be used is a foam core wrapped with a coated fabric. Polyurethane on nylon fabric and polyurethane foam are common materials. The core provides the flexibility and support, while the fabric provides the vapor barrier and wear surface.

A secondary seal may be used to provide some additional evaporative loss control over that achieved by the primary seal. Secondary seals can be either flexible wiper seals or resilient filled seals. For mechanical shoe primary seals, two configurations of secondary seals are available: shoe mounted and rim mounted, as shown in Figure 7.1-8. Rim mounted secondary seals are more effective in reducing losses than shoe mounted secondary seals because they cover the entire rim vapor space. For internal floating roof tanks, the secondary seal is mounted to an extended vertical rim plate, above the primary seal, as shown in Figure 7.1-8. However, for some floating roof tanks, using a secondary seal further limits the tank's operating capacity due to the need to keep the seal from interfering with fixed roof rafters or to keep the secondary seal in contact with the tank shell when the tank is filled.

The deck fitting losses from floating roof tanks can be explained by the same mechanisms as the rim seal losses. While the relative contribution of each mechanism to the total emissions from a given deck fitting is not known, emission factors were developed for individual deck fittings by testing, thereby accounting for the combined effect of all of the mechanisms.

Numerous fittings pass through or are attached to floating roof decks to accommodate structural support components or allow for operational functions. Internal floating roof deck fittings are typically of different configuration than those for external floating roof decks. Rather than having tall housings to avoid rainwater entry, internal floating roof deck fittings tend to have lower profile housings to minimize the potential for the fitting to contact the fixed roof when the tank is filled. Deck fittings can be a source of evaporative loss when they require openings in the deck. The most common components that require openings in the deck are described below.

1. Access hatches. An access hatch is an opening in the deck with a peripheral vertical well that is large enough to provide passage for workers and materials through the deck for construction or servicing. Attached to the opening is a removable cover that may be bolted and/or gasketed to reduce evaporative loss. On internal floating roof tanks with noncontact decks, the well should extend down into the liquid to seal off the vapor space below the noncontact deck. A typical access hatch is shown in Figure 7.1-9.

2. Gauge-floats. A gauge-float is used to indicate the level of liquid within the tank. The float rests on the liquid surface and is housed inside a well that is closed by a cover. The cover may be bolted

and/or gasketed to reduce evaporation loss. As with other similar deck penetrations, the well extends down into the liquid on noncontact decks in internal floating roof tanks. A typical gauge-float and well are shown in Figure 7.1-9.

3. Gauge-hatch/sample ports. A gauge-hatch/sample port consists of a pipe sleeve through the deck for hand-gauging or sampling of the stored liquid. The gauge-hatch/sample port is usually located beneath the gauger's platform, which is mounted on top of the tank shell. A cover may be attached to the top of the opening, and the cover may be equipped with a gasket to reduce evaporative losses. A cord may be attached to the cover so that the cover can be opened from the platform. Alternatively, the opening may be covered with a slit-fabric seal. A funnel may be mounted above the opening to guide a sampling device or gauge stick through the opening. A typical gauge-hatch/sample port is shown in Figure 7.1-9.

4. Rim vents. Rim vents are used on tanks equipped with a seal design that creates a vapor pocket in the seal and rim area, such as a mechanical shoe seal. A typical rim vent is shown in Figure 7.1-10. The vent is used to release any excess pressure that is present in the vapor space bounded by the primary-seal shoe and the floating roof rim and the primary seal fabric and the liquid level. Rim vents usually consist of weighted pallets that rest over the vent opening.

5. Deck drains. Currently two types of deck drains are in use (closed and open deck drains) to remove rainwater from the floating deck. Open deck drains can be either flush or overflow drains. Both types of open deck drains consist of a pipe that extends below the deck to allow the rainwater to drain into the stored liquid. Only open deck drains are subject to evaporative loss. Flush drains are flush with the deck surface. Overflow drains are elevated above the deck surface. Typical overflow and flush deck drains are shown in Figure 7.1-10. Overflow drains are used to limit the maximum amount of rainwater that can accumulate on the floating deck, providing emergency drainage of rainwater if necessary. Closed deck drains carry rainwater from the surface of the deck through a flexible hose or some other type of piping system that runs through the stored liquid prior to exiting the tank. The rainwater does not come in contact with the liquid, so no evaporative losses result. Overflow drains are usually used in conjunction with a closed drain system to carry rainwater outside the tank.

6. Deck legs. Deck legs are used to prevent damage to fittings underneath the deck and to allow for tank cleaning or repair, by holding the deck at a predetermined distance off the tank bottom. These supports consist of adjustable or fixed legs attached to the floating deck or hangers suspended from the fixed roof. For adjustable legs or hangers, the load-carrying element may pass through a well or sleeve into the deck. With noncontact decks, the well should extend into the liquid. Evaporative losses may occur in the annulus between the deck leg and its sleeve. A typical deck leg is shown in Figure 7.1-10.

7. Unslotted guidepoles and wells. A guidepole is an antirotational device that is fixed to the top and bottom of the tank, passing through a well in the floating roof. The guidepole is used to prevent adverse movement of the roof and thus damage to deck fittings and the rim seal system. In some cases, an unslotted guidepole is used for gauging purposes, but there is a potential for differences in the pressure, level, and composition of the liquid inside and outside of the guidepole. A typical guidepole and well are shown in Figure 7.1-11.

8. Slotted (perforated) guidepoles and wells. The function of the slotted guidepole is similar to the unslotted guidepole but also has additional features. Perforated guidepoles can be either slotted or drilled hole guidepoles. A typical slotted guidepole and well are shown in Figure 7.1-11. As shown in this figure,

the guide pole is slotted to allow stored liquid to enter. The same can be accomplished with drilled holes. The liquid entering the guidepole has the same composition as the remainder of the stored liquid, and is at the same liquid level as the liquid in the tank. Representative samples can therefore be collected from the slotted or drilled hole guidepole. Evaporative loss from the guidepole can be reduced by some combination of modifying the guidepole or well with the addition of gaskets, sleeves, or enclosures or placing a float inside the guidepole, as shown in Figures 7.1-11 and 7.1-22. Guidepoles are also referred to as gauge poles, gauge pipes, or stilling wells.

9. Vacuum breakers. A vacuum breaker equalizes the pressure of the vapor space across the deck as the deck is either being landed on or floated off its legs. A typical vacuum breaker is shown in Figure 7.1-10. As depicted in this figure, the vacuum breaker consists of a well with a cover. Attached to the underside of the cover is a guided leg long enough to contact the tank bottom as the floating deck approaches. When in contact with the tank bottom, the guided leg mechanically opens the breaker by lifting the cover off the well; otherwise, the cover closes the well. The closure may be gasketed or ungasketed. Because the purpose of the vacuum breaker is to allow the free exchange of air and/or vapor, the well does not extend appreciably below the deck. While vacuum breakers have historically tended to be of the leg-actuated design described above, they may also be vacuum actuated similar to the pressure/vacuum vent on a fixed roof tank such that they do not begin to open until the floating roof has actually landed. In some cases, this is achieved by replacing the rim vent described above with a pressure/vacuum vent.

Fittings typically used only on internal floating roof tanks include column wells, ladder wells, and stub drains.

1. Columns and wells. Some fixed-roof designs are normally supported from inside the tank by means of vertical columns, which necessarily penetrate an internal floating deck. (Some fixed roofs are entirely self-supporting from the perimeter of the roof and, therefore, have no interior support columns.) Column wells are similar to unslotted guide pole wells on external floating roofs. Columns are made of pipe with circular cross sections or of structural shapes with irregular cross sections (built-up). The number of columns varies with tank diameter, from a minimum of 1 to over 50 for very large diameter tanks. A typical fixed roof support column and well are shown in Figure 7.1-9.

The columns pass through deck openings via peripheral vertical wells. With noncontact decks, the well should extend down into the liquid stock. Generally, a closure device exists between the top of the well and the column. Several proprietary designs exist for this closure, including sliding covers and fabric sleeves, which must accommodate the movements of the deck relative to the column as the liquid level changes. A sliding cover rests on the upper rim of the column well (which is normally fixed to the deck) and bridges the gap or space between the column well and the column. The cover, which has a cutout, or opening, around the column slides vertically relative to the column as the deck raises and lowers. At the same time, the cover may slide horizontally relative to the rim of the well to accommodate out-of-plumbness of the column. A gasket around the rim of the well reduces emissions from this fitting. A flexible fabric sleeve seal between the rim of the well and the column (with a cutout or opening, to allow vertical motion of the seal relative to the columns) similarly accommodates limited horizontal motion of the deck relative to the column.

2. Ladders and wells. Some tanks are equipped with internal ladders that extend from a manhole in the fixed roof to the tank bottom. The deck opening through which the ladder passes is constructed

with similar design details and considerations to deck openings for column wells, as previously discussed. A typical ladder well is shown in Figure 7.1-12.

Tanks are sometimes equipped with a ladder-slotted guidepole combination, in which one or both legs of the ladder is a slotted pipe that serves as a guidepole for purposes such as level gauging and sampling. A ladder-slotted guidepole combination is shown in Figure 7.1-21 with a ladder sleeve to reduce emissions.

3. **Stub drains.** Bolted internal floating roof decks are typically equipped with stub drains to allow any stored product that may be on the deck surface to drain back to the underside of the deck. The drains are attached so that they are flush with the upper deck. Stub drains are approximately 1 inch in diameter and extend down into the product on noncontact decks. A typical flush stub drain is shown in Figure 7.1-10. Stub drains may be equipped with floating balls to reduce emissions. The floating ball acts as a check valve, in that it remains covering the stub drain unless liquid is present to lift it.

Deck seams in internal floating roof tanks are a source of emissions to the extent that these seams may not be completely vapor tight if the deck is not welded. A weld sealing a deck seam does not have to be structural (i.e., may be a seal weld) to constitute a welded deck seam for purposes of estimating emissions, but a deck seam that is bolted or otherwise mechanically fastened and sealed with elastomeric materials or chemical adhesives is not a welded seam. Generally, the same loss mechanisms for deck fittings apply to deck seams. The predominant mechanism depends on whether or not the deck is in contact with the stored liquid. The deck seam loss equation accounts for the effects of all contributing loss mechanisms.

7.1.3 Emission Estimation Procedures

The following section presents the emission estimation procedures for fixed roof, external floating roof, domed external floating roof, and internal floating roof tanks. These procedures are valid for all volatile organic liquids and chemical mixtures. It is important to note that in all the emission estimation procedures the physical properties of the vapor do not include the noncondensibles in the atmosphere but only refer to the volatile components of the stored liquid. For example, the vapor-phase molecular weight is determined from the weighted average of the evaporated components of the stored liquid and does not include the contribution of atmospheric gases such as nitrogen and oxygen. To aid in the emission estimation procedures, a list of variables with their corresponding definitions was developed and is presented in Table 7.1-1.

The factors presented in AP-42 are those that are currently available and have been reviewed and approved by the U. S. Environmental Protection Agency. As storage tank equipment vendors design new floating decks and equipment, new emission factors may be developed based on that equipment. If the new emission factors are reviewed and approved, the emission factors will be added to AP-42 during the next update.

The emission estimation procedures outlined in this chapter have been used as the basis for the development of a software program to estimate emissions from storage tanks. The software program entitled "TANKS" is available through the U. S. Environmental Protection Agency website. While this software does not address all of the scenarios described in this chapter, is known to have errors, and is no longer supported, it is still made available for historical purposes.

There are also commercially available storage tank emissions estimation software programs. Users of these programs are advised to understand the extent of agreement with AP-42 Chapter 7 calculation methodology and assume responsibility of the accuracy of the output as they have not been reviewed or approved by the EPA.

7.1.3.1 Routine Losses From Fixed Roof Tanks^{8-14,22}

The following equations, provided to estimate standing and working loss emissions, apply to tanks with vertical cylindrical shells and fixed roofs and to tanks with horizontal cylindrical shells. These tanks must be substantially liquid- and vapor-tight. The equations are not intended to be used in estimating losses from tanks which have air or other gases injected into the liquid, or which store unstable or boiling stocks or mixtures of hydrocarbons or petrochemicals for which the vapor pressure is not known or cannot be readily predicted. Tanks containing aqueous mixtures in which phase separation has occurred, resulting in a free layer of oil or other volatile materials floating on top of the water, should have emissions estimated on the basis of the properties of the free top layer.

Total routine losses from fixed roof tanks are equal to the sum of the standing loss and working loss:

$$L_T = L_S + L_W \quad (1-1)$$

where:

- L_T = total routine losses, lb/yr
- L_S = standing losses, lb/yr, see Equation 1-2
- L_W = working losses, lb/yr, see Equation 1-35

7.1.3.1.1 Standing Loss

The standing loss, L_S , for a fixed roof tank refers to the loss of stock vapors as a result of tank vapor space breathing. Fixed roof tank standing losses can be estimated from Equation 1-2.

$$L_S = 365 V_V W_V K_E K_S \quad (1-2)$$

where:

- L_S = standing loss, lb/yr
- V_V = vapor space volume, ft³, see Equation 1-3
- W_V = stock vapor density, lb/ft³
- K_E = vapor space expansion factor, per day
- K_S = vented vapor saturation factor, dimensionless
- 365 = constant, the number of daily events in a year, (days/year)

Tank Vapor Space Volume, V_V - The tank vapor space volume is calculated using the following equation:

$$V_V = \left(\frac{\pi}{4} D^2 \right) H_{VO} \quad (1-3)$$

where:

- V_V = vapor space volume, ft³
- D = tank diameter, ft, see Equation 1-14 for horizontal tanks
- H_{VO} = vapor space outage, ft, see Equation 1-16

The standing loss equation can be simplified by combining Equation 1-2 with Equation 1-3. The result is Equation 1-4.

$$L_S = 365 K_E \left(\frac{\pi}{4} D^2 \right) H_{VO} K_S W_V \quad (1-4)$$

where:

- L_S = standing loss, lb/yr
- K_E = vapor space expansion factor, per day, see Equation 1-5, 1-12, or 1-13
- D = diameter, ft, see Equation 1-14 for horizontal tanks
- H_{VO} = vapor space outage, ft, see Equation 1-16; use $H_E/2$ from Equation 1-15 for horizontal tanks
- K_S = vented vapor saturation factor, dimensionless, see Equation 1-21
- W_V = stock vapor density, lb/ft³, see Equation 1-22
- 365 = constant, the number of daily events in a year, (days/year)

Vapor Space Expansion Factor, K_E

The calculation of the vapor space expansion factor, K_E , depends upon the properties of the liquid in the tank and the breather vent settings, as shown in Equation 1-5. As shown in the equation, K_E is greater than zero. If K_E is less than zero, standing losses will not occur. In that K_E represents the fraction of vapors in the vapor space that are expelled by a given increase in temperature, a value of 1 would indicate that the entire vapor space has been expelled. Thus the value of K_E must be less than 1, in that it is not physically possible to expel more than 100% of what is present to begin with.

$$0 < K_E \leq 1$$

$$K_E = \frac{\Delta T_V}{T_{LA}} + \frac{\Delta P_V - \Delta P_B}{P_A - P_{VA}} \quad (1-5)$$

where:

- ΔT_V = average daily vapor temperature range, °R; see Note 1
- ΔP_V = average daily vapor pressure range, psi; see Note 2
- ΔP_B = breather vent pressure setting range, psi; see Note 3
- P_A = atmospheric pressure, psia
- P_{VA} = vapor pressure at average daily liquid surface temperature, psia; see Notes 1 and 2 for Equation 1-22
- T_{LA} = average daily liquid surface temperature, °R; see Note 3 for Equation 1-22

Notes:

1. The average daily vapor temperature range, ΔT_V , refers to the daily temperature range of the tank vapor space averaged over all of the days in the given period of time, such as one year, and should

not be construed as being applicable to an individual day. The average daily vapor temperature range is calculated for an uninsulated tank using Equation 1-6.

$$\Delta T_V = \left(1 - \frac{0.8}{2.2 (H_S/D) + 1.9}\right) \Delta T_A + \frac{0.042\alpha_R I + 0.026(H_S/D)\alpha_S I}{2.2 (H_S/D) + 1.9} \quad (1-6)$$

where:

- ΔT_V = average daily vapor temperature range, °R
- H_S = tank shell height, ft
- D = tank diameter, ft,
- ΔT_A = average daily ambient temperature range, °R; see Note 4
- α_R = tank roof surface solar absorptance, dimensionless; see Table 7.1-6
- α_S = tank shell surface solar absorptance, dimensionless; see Table 7.1-6
- I = average daily total insolation factor, Btu/ft² d; see Table 7.1-7.

API assigns a default value of $H_S/D = 0.5$ and an assumption of $\alpha_R = \alpha_S$, resulting in the simplified equation shown below for an uninsulated tank:²²

$$\Delta T_V = 0.7 \Delta T_A + 0.02 \alpha I \quad (1-7)$$

where:

- α = average tank surface solar absorptance, dimensionless

For purposes of estimating emissions, a storage tank should be deemed insulated only if the roof and shell are both sufficiently insulated so as to minimize heat exchange with ambient air. If only the shell is insulated, and not the roof, the temperature equations are independent of H_S/D . Also, there likely will be sufficient heat exchange through the roof such that Equation 1-7 would be applicable.

A more accurate method of accounting for the average daily vapor temperature range, ΔT_V , in partially insulated scenarios is given below. When the tank shell is insulated but the tank roof is not, heat gain to the tank from insolation is almost entirely through the tank roof and thus the liquid surface temperature is not sensitive to H_S/D .

$$\Delta T_V = 0.6 \Delta T_A + 0.02 \alpha_R I \quad (1-8)$$

In the case of a fully insulated tank maintained at constant temperature, the average daily vapor temperature range, ΔT_V , should be taken as zero. This assumption that ΔT_V is equal to zero addresses only temperature differentials resulting from the diurnal ambient temperature cycle. In the case of cyclic heating of the bulk liquid, see Section 7.1.3.8.4.

2. The average daily vapor pressure range, ΔP_V , refers to the daily vapor pressure range at the liquid surface temperature averaged over all of the days in the given period of time, such as one year, and should not be construed as being applicable to an individual day. The average daily vapor pressure range can be calculated using the following equation:

$$\Delta P_V = P_{VX} - P_{VN} \quad (1-9)$$

where:

ΔP_V = average daily vapor pressure range, psia

P_{VX} = vapor pressure at the average daily maximum liquid surface temperature, psia; see Note 5

P_{VN} = vapor pressure at the average daily minimum liquid surface temperature, psia; see Note 5

See Section 7.1.6.1 for a more approximate equation for ΔP_V that was used historically, but which is no longer recommended.

In the case of a fully insulated tank maintained at constant temperature, the average daily vapor pressure range, ΔP_V , should be taken as zero, as discussed for the vapor temperature range in Note 1.

3. The breather vent pressure setting range, ΔP_B , is calculated using the following equation:

$$\Delta P_B = P_{BP} - P_{BV} \quad (1-10)$$

where:

ΔP_B = breather vent pressure setting range, psig

P_{BP} = breather vent pressure setting, psig

P_{BV} = breather vent vacuum setting, psig

If specific information on the breather vent pressure setting and vacuum setting is not available, assume 0.03 psig for P_{BP} and -0.03 psig for P_{BV} as typical values. If the fixed roof tank is of bolted or riveted construction in which the roof or shell plates are not vapor tight, assume that $\Delta P_B = 0$, even if a breather vent is used.

4. The average daily ambient temperature range, ΔT_A , refers to the daily ambient temperature range averaged over all of the days in the given period of time, such as one year, and should not be construed as being applicable to an individual day. The average daily ambient temperature range is calculated using the following equation:

$$\Delta T_A = T_{AX} - T_{AN} \quad (1-11)$$

where:

ΔT_A = average daily ambient temperature range, °R

T_{AX} = average daily maximum ambient temperature, °R

T_{AN} = average daily minimum ambient temperature, °R

Table 7.1-7 gives historical values of T_{AX} and T_{AN} in degrees Fahrenheit for selected cities in the United States. These values are converted to degrees Rankine by adding 459.7.

5. The vapor pressures associated with the average daily maximum and minimum liquid surface temperatures, P_{VX} and P_{VN} , respectively, are calculated by substituting the corresponding temperatures, T_{LX} and T_{LN} , into Equation 1-25 or 1-26 after converting the temperatures to the units indicated for the respective equation. If T_{LX} and T_{LN} are unknown, Figure 7.1-17 can be used to calculate their values. In

the case of a fully insulated tank maintained at constant temperature, the average daily vapor pressure range, ΔP_V , should be taken as zero.

If the liquid stored in the fixed roof tank has a true vapor pressure less than 0.1 psia and the tank breather vent settings are not greater than ± 0.03 psig, Equation 1-12 or Equation 1-13 may be used with an acceptable loss in accuracy.

If the tank location and tank color and condition are known, K_E may be calculated using the following equation in lieu of Equation 1-5:

$$K_E = 0.0018 \Delta T_V = 0.0018 [0.7 (T_{AX} - T_{AN}) + 0.02 \alpha I] \quad (1-12)$$

where:

- K_E = vapor space expansion factor, per day
- ΔT_V = average daily vapor temperature range, $^{\circ}\text{R}$
- T_{AX} = average daily maximum ambient temperature, $^{\circ}\text{R}$
- T_{AN} = average daily minimum ambient temperature, $^{\circ}\text{R}$
- α = tank surface solar absorptance, dimensionless
- I = average daily total insolation on a horizontal surface, $\text{Btu}/(\text{ft}^2 \text{ day})$
- 0.0018 = constant, $(^{\circ}\text{R})^{-1}$
- 0.7 = constant, dimensionless
- 0.02 = constant, $(^{\circ}\text{R ft}^2 \text{ day})/\text{Btu}$

Average daily maximum and minimum ambient temperatures and average daily total insolation can be determined from historical meteorological data for the location or may be obtained from historical meteorological data for a nearby location. Historical meteorological data for selected locations are given in Table 7.1-7, where values of T_{AX} and T_{AN} are given in degrees Fahrenheit. These values are converted to degrees Rankine by adding 459.7.

If the tank location is unknown, a value of K_E can be calculated using typical meteorological conditions for the lower 48 states. The typical value for daily insolation is 1,370 $\text{Btu}/(\text{ft}^2 \text{ day})$, the average daily range of ambient temperature is 21°R , and the tank surface solar absorptance is 0.25 for white paint in average condition. Substituting these values into Equation 1-12 results in a value of 0.04, as shown in Equation 1-13.

$$K_E = 0.04 \quad (1-13)$$

Diameter

For vertical tanks, the diameter is straightforward. If a user needs to estimate emissions from a horizontal fixed roof tank, some of the tank parameters can be modified before using the vertical tank emission estimating equations. First, by assuming that the tank is one-half filled, the surface area of the liquid in the tank is approximately equal to the length of the tank times the diameter of the tank. Next, assume that this area represents a circle, i.e., that the liquid is an upright cylinder. Therefore, the effective diameter, D_E , is then equal to:

$$D_E = \sqrt{\frac{LD}{\frac{\pi}{4}}} \quad (1-14)$$

where:

- D_E = effective tank diameter, ft
- L = length of the horizontal tank, ft (for tanks with rounded ends, use the overall length)
- D = diameter of a vertical cross-section of the horizontal tank, ft

By assuming the volume of the horizontal tank to be approximately equal to the cross-sectional area of the tank times the length of the tank, an effective height, H_E , of an equivalent upright cylinder may be calculated as:

$$H_E = \frac{\pi}{4} D \quad (1-15)$$

D_E should be used in place of D in Equation 1-4 for calculating the standing loss (or in Equation 1-3, if calculating the tank vapor space volume). One-half of the effective height, H_E , should be used as the vapor space outage, H_{VO} , in these equations. This method yields only a very approximate value for emissions from horizontal storage tanks. For underground horizontal tanks, assume that no breathing or standing losses occur ($L_S = 0$) because the insulating nature of the earth limits the diurnal temperature change. No modifications to the working loss equation are necessary for either aboveground or underground horizontal tanks. However, standing losses from underground gasoline tanks, which can experience relatively fast vapor growth after the ingestion of air and dilution of the headspace, are addressed in Section 5.2 of AP-42.

Vapor Space Outage

The vapor space outage, H_{VO} is the height of a cylinder of tank diameter, D , whose volume is equivalent to the vapor space volume of a fixed roof tank, including the volume under the cone or dome roof. The vapor space outage, H_{VO} , is estimated from:

$$H_{VO} = H_S - H_L + H_{RO} \quad (1-16)$$

where:

- H_{VO} = vapor space outage, ft; use $H_E/2$ from Equation 1-15 for horizontal tanks
- H_S = tank shell height, ft
- H_L = liquid height, ft; typically assumed to be at the half-full level, unless known to be maintained at some other level
- H_{RO} = roof outage, ft; see Note 1 for a cone roof or Note 2 for a dome roof

Notes:

1. For a cone roof, the roof outage, H_{RO} , is calculated as follows:

$$H_{RO} = (1/3) H_R \quad (1-17)$$

where:

H_{RO} = roof outage (or shell height equivalent to the volume contained under the roof), ft

H_R = tank roof height, ft

$$H_R = S_R R_S \quad (1-18)$$

where: S_R = tank cone roof slope, ft/ft; if unknown, a standard value of 0.0625 is used

R_S = tank shell radius, ft

2. For a dome roof, the roof outage, H_{RO} , is calculated as follows:

$$H_{RO} = H_R \left[\frac{1}{2} + \frac{1}{6} \left[\frac{H_R}{R_S} \right]^2 \right] \quad (1-19)$$

where:

H_{RO} = roof outage, ft

R_S = tank shell radius, ft

H_R = tank roof height, ft

$$H_R = R_R - (R_R^2 - R_S^2)^{0.5} \quad (1-20)$$

H_R = tank roof height, ft R_R = tank dome roof radius, ft R_S = tank shell radius, ft

The value of R_R usually ranges from 0.8D - 1.2D, where $D = 2 R_S$. If R_R is unknown, the tank diameter is used in its place. If the tank diameter is used as the value for R_R , Equations 1-19 and 1-20 reduce to $H_{RO} = 0.137 R_S$ and $H_R = 0.268 R_S$.

Vented Vapor Saturation Factor, K_S

The vented vapor saturation factor, K_S , is calculated using the following equation:

$$K_S = \frac{1}{1 + 0.053 P_{VA} H_{VO}} \quad (1-21)$$

where:

K_S = vented vapor saturation factor, dimensionless

P_{VA} = vapor pressure at average daily liquid surface temperature, psia; see Notes 1 and 2 to Equation 1-22

H_{VO} = vapor space outage, ft, see Equation 1-16

0.053 = constant, (psia-ft)⁻¹

Stock Vapor Density, W_V - The density of the vapor is calculated using the following equation:

$$W_V = \frac{M_V P_{VA}}{R T_V} \quad (1-22)$$

where:

W_V = vapor density, lb/ft³

M_V = vapor molecular weight, lb/lb-mole; see Note 1

R = the ideal gas constant, 10.731 psia ft³/lb-mole °R

P_{VA} = vapor pressure at average daily liquid surface temperature, psia; see Notes 1 and 2

T_V = average vapor temperature, °R; see Note 6

Notes:

1. The molecular weight of the vapor, M_V, can be determined from Table 7.1-2 and 7.1-3 for selected petroleum liquids and selected petrochemicals, respectively, or by analyzing vapor samples. Where mixtures of organic liquids are stored in a tank, M_V can be calculated from the liquid composition. The molecular weight of the vapor, M_V, is equal to the sum of the molecular weight, M_i, multiplied by the vapor mole fraction, y_i, for each component. The vapor mole fraction is equal to the partial pressure of component i divided by the total vapor pressure. The partial pressure of component i is equal to the true vapor pressure of component i (P) multiplied by the liquid mole fraction, (x_i). Therefore,

$$M_V = \sum M_i y_i = \sum M_i \left(\frac{P x_i}{P_{VA}} \right) \quad (1-23)$$

where:

P_{VA}, total vapor pressure of the stored liquid, by Raoult's Law³⁰, is:

$$P_{VA} = \sum P x_i \quad (1-24)$$

For more detailed information on Raoult's Law, please refer to Section 7.1.4. Frequently, however, the vapor pressure is not known for each component in a mixture. For more guidance on determining the total vapor pressure at a given temperature (*i.e.*, the true vapor pressure), see Note 2 below.

2. True vapor pressure is defined in various ways for different purposes within the industry, such as "bubble point" for transportation specifications, but for purposes of these emissions estimating methodologies it is the sum of the equilibrium partial pressures exerted by the components of a volatile organic liquid, as shown in Equation 1-24. True vapor pressure may be determined by ASTM D 2879 (or ASTM D 6377 for crude oils with a true vapor pressure greater than 3.6 psia) or obtained from standard reference texts. For certain petroleum liquids, true vapor pressure may be predicted from Reid vapor pressure, which is the absolute vapor pressure of volatile crude oil and volatile non-viscous petroleum

liquids, as determined by ASTM D 323. ASTM D 5191 may be used as an alternative method for determining Reid vapor pressure for petroleum products, however, it should not be used for crude oils.

Caution should be exercised when considering ASTM D 2879 for determining the true vapor pressure of certain types of mixtures. Vapor pressure is sensitive to the lightest components in a mixture, and the de-gassing step in ASTM D 2879 can remove lighter fractions from mixtures such as No. 6 fuel oil if it is not done with care (*i.e.* at an appropriately low pressure and temperature). In addition, any dewatering of a sample prior to measuring its vapor pressure must be done using a technique that has been demonstrated to not remove the lightest organic compounds in the mixture. Alternatives to the method may be developed after publication of this chapter.

True vapor pressure can be determined for crude oils from Reid vapor pressure using Figures 7.1-13a and 7.1-13b. However, the nomograph in Figure 7.1-13a and the correlation equation in Figure 7.1-13b for crude oil are known to have an upward bias, and thus use of ASTM D 6377 is more accurate for crude oils with a true vapor pressure greater than 3.6 psia. ASTM D 6377 may be used to directly measure true vapor pressure at a given temperature. In order to utilize ASTM D 6377 to predict true vapor pressure values over a range of temperatures, the method should be applied at multiple temperatures. A regression of the log-transformed temperature versus vapor pressure data thus obtained may be performed to obtain A and B constants for use in Equation 1-25. In order to determine true vapor pressure for purposes of estimating emissions of volatile organic compounds, ASTM D 6377 should be performed using a vapor-to-liquid ratio of 4:1, which is expressed in the method as VPCR₄.

For light refined stocks (gasolines and naphthas) for which the Reid vapor pressure and distillation slope are known, Figures 7.1-14a and 7.1-14b can be used. For refined stocks with Reid vapor pressure below the 1 psi applicability limit of Figures 7.1-14a and 7.1-14b, true vapor pressure can be determined using ASTM D 2879. In order to use Figures 7.1-13a, 7.1-13b, 7.1-14a, or 7.1-14b, the stored liquid surface temperature, T_{LA}, must be determined in degrees Fahrenheit. See Note 3 to determine T_{LA}.

Alternatively, true vapor pressure for selected petroleum liquid stocks, at the stored liquid surface temperature, can be determined using the following equation:

$$P_{VA} = \exp \left[A - \left(\frac{B}{T_{LA}} \right) \right] \quad (1-25)$$

where:

exp = exponential function

A = constant in the vapor pressure equation, dimensionless

B = constant in the vapor pressure equation, °R

T_{LA} = average daily liquid surface temperature, °R; see Note 3

P_{VA} = true vapor pressure, psia

For selected petroleum liquid stocks, physical property data including vapor pressure constants A and B for use in Equation 1-25 are presented in Table 7.1-2. For refined petroleum stocks with Reid vapor pressure within the limits specified in the scope of ASTM D 323, the constants A and B can be calculated from the equations presented in Figure 7.1-15 and the distillation slopes presented in Table 7.1-2. For

crude oil stocks, the constants A and B can be calculated from Reid vapor pressure using the equations presented in Figure 7.1-16. However, the equations in Figure 7.1-16 are known to have an upward bias²⁹, and thus use of ASTM D 6377 is more accurate. Note that in Equation 1-25, T_{LA} is determined in degrees Rankine instead of degrees Fahrenheit.

The true vapor pressure of organic liquids at the stored liquid temperature can also be estimated by Antoine's equation:

$$\log P_{VA} = A - \left(\frac{B}{T_{LA} + C} \right) \quad (1-26)$$

where:

$\log = \log 10$

A = constant in vapor pressure equation, dimensionless

B = constant in vapor pressure equation, °C

C = constant in vapor pressure equation, °C

T_{LA} = average daily liquid surface temperature, °C

P_{VA} = vapor pressure at average liquid surface temperature, mm Hg

For selected pure chemicals, the values for the constants A, B, and C are listed in Table 7.1-3. Note that in Equation 1-26, T_{LA} is determined in degrees Celsius instead of degrees Rankine. Also, in Equation 1-26, P_{VA} is determined in mm of Hg rather than psia (760 mm Hg = 14.7 psia).

More rigorous thermodynamic equations of state are available in process simulation software packages. The use of such programs may be preferable in determining the true vapor pressure of mixtures that are not adequately characterized by Raoult's Law.

3. The average daily liquid surface temperature, T_{LA} , refers to the liquid surface temperature averaged over all of the days in the given period of time, such as one year, and should not be construed as being applicable to an individual day. While the accepted methodology is to use the average temperature, this approach introduces a bias in that the true vapor pressure, P_{VA} , is a non-linear function of temperature. However, the greater accuracy that would be achieved by accounting for this logarithmic function is not warranted, given the associated computational burden. The average daily liquid surface temperature is calculated for an uninsulated fixed roof tank using Equation 1-27.

$$T_{LA} = \left(0.5 - \frac{0.8}{4.4(H_S/D) + 3.8} \right) T_{AA} + \left(0.5 + \frac{0.8}{4.4(H_S/D) + 3.8} \right) T_B + \frac{0.021 \alpha_R I + 0.013(H_S/D) \alpha_S I}{4.4(H_S/D) + 3.8} \quad (1-27)$$

where:

T_{LA} = average daily liquid surface temperature, °R

H_S = tank shell height, ft

D = tank diameter, ft,

T_{AA} = average daily ambient temperature, °R; see Note 4

T_B = liquid bulk temperature, °R; see Note 5

- α_R = tank roof surface solar absorptance, dimensionless; see Table 7.1-6
- α_S = tank shell surface solar absorptance, dimensionless; see Table 7.1-6
- I = average daily total insolation factor, Btu/(ft² day); see Table 7.1-7

API assigns a default value of $H_S/D = 0.5$ and an assumption of $\alpha_R = \alpha_S$, resulting in the simplified equation shown below for an uninsulated fixed roof tank:²²

$$T_{LA} = 0.4T_{AA} + 0.6T_B + 0.005 \alpha I \quad (1-28)$$

where:

- α = average tank surface solar absorptance, dimensionless

Equation 1-27 and Equation 1-28 should not be used to estimate liquid surface temperature for insulated tanks. In the case of fully insulated tanks, the average liquid surface temperature should be assumed to equal the average liquid bulk temperature (see Note 5). For purposes of estimating emissions, a storage tank should be deemed insulated only if the roof and shell are both fully insulated so as to minimize heat exchange with ambient air. If only the shell is insulated, and not the roof, there likely will be sufficient heat exchange through the roof such that Equation 1-28 would be applicable.

A more accurate method of estimating the average liquid surface temperature, T_{LA} , in partially insulated fixed roof tanks is given below. When the tank shell is insulated but the tank roof is not, heat gain to the tank from insolation is almost entirely through the tank roof and thus the liquid surface temperature is not sensitive to H_S/D .

$$T_{LA} = 0.3 T_{AA} + 0.7 T_B + 0.005 \alpha_R I \quad (1-29)$$

If T_{LA} is used to calculate P_{VA} from Figures 7.1-13a, 7.1-13b, 7.1-14a, or 7.1-14b, T_{LA} must be converted from degrees Rankine to degrees Fahrenheit ($^{\circ}F = ^{\circ}R - 459.7$). If T_{LA} is used to calculate P_{VA} from Equation 1-26, T_{LA} must be converted from degrees Rankine to degrees Celsius ($^{\circ}C = [^{\circ}R - 491.7]/1.8$).

4. The average daily ambient temperature, T_{AA} , is calculated using the following equation:

$$T_{AA} = \left(\frac{T_{AX} + T_{AN}}{2} \right) \quad (1-30)$$

where:

- T_{AA} = average daily ambient temperature, $^{\circ}R$
- T_{AX} = average daily maximum ambient temperature, $^{\circ}R$
- T_{AN} = average daily minimum ambient temperature, $^{\circ}R$

Table 7.1-7 gives historical values of T_{AX} and T_{AN} in degrees Fahrenheit for selected U.S. cities. These values are converted to degrees Rankine by adding 459.7.

5. The liquid bulk temperature, T_B , should preferably be based on measurements or estimated from process knowledge. For uninsulated fixed roof tanks known to be in approximate equilibrium with

ambient air, heat gain to the bulk liquid from insolation is almost entirely through the tank shell; thus the liquid bulk temperature is not sensitive to H_S/D and may be calculated using the following equation:

$$T_B = T_{AA} + 0.003 \alpha_S I \quad (1-31)$$

where:

- T_B = liquid bulk temperature, °R
- T_{AA} = average daily ambient temperature, °R, as calculated in Note 4
- α_S = tank shell surface solar absorptance, dimensionless; see Table 7.1-6
- I = average daily total insolation factor, Btu/(ft² day); see Table 7.1-7.

6. The average vapor temperature, T_V , for an uninsulated tank may be calculated using the following equation:

$$T_V = \frac{[2.2 (H_S/D) + 1.1] T_{AA} + 0.8 T_B + 0.021 \alpha_R I + 0.013 (H_S/D) \alpha_S I}{2.2 (H_S/D) + 1.9} \quad (1-32)$$

where:

- H_S = tank shell height, ft
- D = tank diameter, ft,
- T_{AA} = average daily ambient temperature, °R
- T_B = liquid bulk temperature, °R
- α_R = tank roof surface solar absorptance, dimensionless
- α_S = tank shell surface solar absorptance, dimensionless
- I = average daily total insolation factor, Btu/(ft² day).

API assigns a default value of $H_S/D = 0.5$ and an assumption of $\alpha_R = \alpha_S$, resulting in the simplified equation shown below for an uninsulated tank:²²

$$T_V = 0.7 T_{AA} + 0.3 T_B + 0.009 \alpha I \quad (1-33)$$

where:

- α = average tank surface solar absorptance, dimensionless

When the shell is insulated, but not the roof, the temperature equations are independent of H_S/D .

$$T_V = 0.6 T_{AA} + 0.4 T_B + 0.01 \alpha_R I \quad (1-34)$$

When the tank shell and roof are fully insulated, the temperatures of the vapor space and the liquid surface are taken as equal to the temperature of the bulk liquid.

7.1.3.1.2 Working Loss

The fixed roof tank working loss, L_w , refers to the loss of stock vapors as a result of tank filling operations. Fixed roof tank working losses can be estimated from:

$$L_W = V_Q K_N K_P W_V K_B \quad (1-35)$$

where:

L_W = working loss, lb/yr

V_Q = net working loss throughput, ft³/yr, see Note 1

K_N = working loss turnover (saturation) factor, dimensionless

for turnovers > 36, $K_N = (180 + N)/6N$

for turnovers ≤ 36, $K_N = 1$

for tanks that are vapor balanced and tanks in which flashing occurs, $K_N = 1$ regardless of the number of turnovers; further adjustment of K_N may be appropriate in the case of splash loading into a tank.

N = number of turnovers per year, dimensionless:

$$N = \Sigma H_{QI} / (H_{LX} - H_{LN}) \quad (1-36)$$

ΣH_{QI} = the annual sum of the increases in liquid level, ft/yr

If ΣH_{QI} is unknown, it can be estimated from pump utilization records. Over the course of a year, the sum of increases in liquid level, ΣH_{QI} , and the sum of decreases in liquid level, ΣH_{QD} , will be approximately the same. Alternatively, ΣH_{QI} may be approximated as follows:

$$\Sigma H_{QI} = (5.614 Q) / ((\pi/4) D^2) \quad (1-37)$$

5.614 = the conversion of barrels to cubic feet, ft³/bbl

Q = annual net throughput, bbl/yr

For horizontal tanks, use D_E (Equation 1-14) in place of D in Equation 1-37

H_{LX} = maximum liquid height, ft

If the maximum liquid height is unknown, for vertical tanks use one foot less than the shell height and for horizontal tanks use $(\pi/4) D$ where D is the diameter of a vertical cross-section of the horizontal tank

H_{LN} = minimum liquid height, ft

If the minimum liquid height is unknown, for vertical tanks use 1 and for horizontal tanks use 0

K_P = working loss product factor, dimensionless

for crude oils, $K_P = 0.75$; adjustment of K_P may be appropriate in the case of splash loading into a tank

for all other organic liquids, $K_P = 1$

W_V = vapor density, lb/ft³, see Equation 1-22

K_B = vent setting correction factor, dimensionless, see Note 2 for open vents and for a vent setting range up to ± 0.03 psig, $K_B = 1$

1. Net Working Loss Throughput.

The net working loss throughput, V_Q , is the volume associated with increases in the liquid level, and is calculated as follows:

$$V_Q = (\Sigma H_{QI})(\pi/4) D^2 \quad (1-38)$$

where:

ΣH_{QI} = the annual sum of the increases in liquid level, ft/yr

D_E should be used for horizontal tanks in place of D in Equation 1-38.

If ΣH_{QI} is unknown, ΣH_{QI} can be estimated from pump utilization records. Over the course of a year, the sum of increases in liquid level, ΣH_{QI} , and the sum of decreases in liquid level, ΣH_{QD} , will be approximately the same. Alternatively, V_Q may be approximated as follows:

$$V_Q = 5.614 Q \quad (1-39)$$

where:

5.614 = the conversion of barrels to cubic feet, ft³/bbl

Q = annual net throughput, bbl/yr

Use of gross throughput to approximate the sum of increases in liquid level will significantly overstate emissions if pumping in and pumping out take place at the same time. However, use of gross throughput is still allowed, since it is clearly a conservative estimate of emissions.

2. Vent Setting Correction Factor

When the breather vent settings are greater than the typical values of ± 0.03 psig, and the condition expressed in Equation 1-40 is met, a vent setting correction factor, K_B , must be determined using Equation 1-41. This value of K_B will be used in Equation 1-35 to calculate working losses.

When:

$$K_N \left[\frac{P_{BP} + P_A}{P_I + P_A} \right] > 1.0 \quad (1-40)$$

Then:

$$K_B = \left[\frac{\frac{P_I + P_A}{K_N} - P_{VA}}{P_{BP} + P_A - P_{VA}} \right] \quad (1-41)$$

where:

K_B = vent setting correction factor, dimensionless

P_I = pressure of the vapor space at normal operating conditions, psig

P_I is an actual pressure reading (the gauge pressure). If the tank is held at atmospheric pressure (not held under a vacuum or at a steady pressure) P_I would be 0.

P_A = atmospheric pressure, psia

K_N = working loss turnover (saturation) factor (dimensionless), see Equation 1-35
 P_{VA} = vapor pressure at the average daily liquid surface temperature, psia; see Notes 1 and 2 to Equation 1-22

P_{BP} = breather vent pressure setting, psig.

See Section 7.1.6.2 for a more approximate equation for fixed roof tank working loss that was used historically, but which is no longer recommended.

7.1.3.2 Routine Losses From Floating Roof Tanks^{3-5,13-17}

Routine floating roof tank emissions are the sum of standing and working losses. Routine losses from floating roof tanks may be written as:

$$L_T = L_S + L_W \quad (2-1)$$

where:

- L_T = total routine loss, lb/yr
- L_S = standing loss, lb/yr; see Equation 2-2
- L_W = working (withdrawal) loss, lb/yr; see Equation 2-19

The equations presented in this subsection apply only to floating roof tanks. The equations are not intended to be used in the following applications:

1. To estimate losses from unstable or boiling stocks (see Section 7.1.3.5) or from mixtures of hydrocarbons or petrochemicals for which the vapor pressure is not known or cannot readily be predicted;
2. To estimate losses from floating roof tanks vented only through a pressure/vacuum vent in the fixed roof (*i.e.*, no open vents) (see Section 7.1.3.8.2);
3. To estimate losses from tanks in which the materials used in the rim seal and/or deck fittings are either deteriorated or significantly permeated by the stored liquid;
4. To estimate losses that result from the landing of a floating roof (see Section 7.1.3.3); or
5. To estimate losses that result from cleaning a tank (see Section 7.1.3.4).

7.1.3.2.1 Standing Loss

Standing losses from floating roof tanks are the sum of rim seal, deck fitting and deck seam losses, and may be written as:

$$L_S = L_R + L_F + L_D \quad (2-2)$$

where:

- L_S = standing loss, lb/yr
- L_R = rim seal loss, lb/yr; see Equation 2-3
- L_F = deck fitting loss, lb/yr; see Equation 2-13
- L_D = deck seam loss (internal floating roof tanks only), lb/yr; see Equation 2-18

Rim Seal Loss - Rim seal loss from floating roof tanks can be estimated using the following equation:

$$L_R = (K_{Ra} + K_{Rb} v^2) DP^* M_V K_C \quad (2-3)$$

where:

- L_R = rim seal loss, lb/yr
 K_{Ra} = zero wind speed rim seal loss factor, lb-mole/ft•yr; see Table 7.1-8
 K_{Rb} = wind speed dependent rim seal loss factor, lb-mole/(mph)ⁿft•yr; see Table 7.1-8
 v = average ambient wind speed at tank site, mph; see Note 1
 n = seal-related wind speed exponent, dimensionless; see Table 7.1-8
 P^* = vapor pressure function, dimensionless; see Note 2

$$P^* = \frac{\frac{P_{VA}}{P_A}}{\left(1 + \left[1 - \left(\frac{P_{VA}}{P_A}\right)\right]^{0.5}\right)^2} \quad (2-4)$$

where: P_{VA} = vapor pressure at average daily liquid surface temperature, psia;

See Note 3 below and Notes 1 and 2 to Equation 1-22
 P_A = atmospheric pressure, psia

- D = tank diameter, ft
 M_V = average vapor molecular weight, lb/lb-mole; see Note 1 to Equation 1-22,
 K_C = product factor;
 $K_C = 0.4$ for crude oils; $K_C = 1$ for all other organic liquids.

Notes:

1. If the ambient wind speed at the tank site is not available, use wind speed data from the nearest local weather station or values from Table 7.1-7. Ambient wind speed should be measured at an elevation of at least 10 meters above grade. If the tank is an internal or domed external floating roof tank, the value of v is zero.

2. P^* can be calculated or read directly from Figure 7.1-19.

3. The average daily liquid surface temperature, T_{LA} , for calculation of vapor pressure, P_{VA} , for floating roof tanks shall be determined as follows:

For internal and domed external floating roof tanks:

$$T_{LA} = \frac{[2.86(H_S/D) + 1.43] T_{AA} + [3.52(H_S/D) + 3.79] T_B + 0.027\alpha_R I + 0.017(H_S/D)\alpha_S I}{6.38(H_S/D) + 5.22} \quad (2-5)$$

where:

- T_{LA} = average daily liquid surface temperature, °R
 H_S = tank shell height, ft
 D = tank diameter, ft,
 T_{AA} = average daily ambient temperature, °R; see Equation 1-30
 T_B = liquid bulk temperature, °R;
 α_R = tank roof surface solar absorptance, dimensionless; see Table 7.1-6
 α_S = tank shell surface solar absorptance, dimensionless; see Table 7.1-6
 I = average daily total insolation factor, Btu/(ft² day); see Table 7.1-7

API assigns a default value of $H_S/D = 0.5$ and an assumption of $\alpha_R = \alpha_S$, resulting in the simplified equation shown below for an uninsulated internal or domed external floating roof tank:²²

$$T_{LA} = 0.3 T_{AA} + 0.7 T_B + 0.004 \alpha I \quad (2-6)$$

where:

α = average tank surface solar absorptance, dimensionless

The average daily liquid surface temperature, T_{LA} , for external floating roof tanks is independent of H_s/D for a given value of T_B . Different expressions for T_{LA} are given for the two common types of external floating roof deck. If the type of external floating roof deck is unknown, assume the deck to be the steel peripheral pontoon type.

For external floating roof tanks with a steel peripheral pontoon deck (single deck center area):

$$T_{LA} = 0.7 T_{AA} + 0.3 T_B + 0.008 \alpha_R I \quad (2-7)$$

where the liquid bulk temperature, T_B , is preferably determined from measurements or estimated from process knowledge, but otherwise may be estimated as follows:

$$T_B = T_{AA} + [0.71 \alpha_R I + 0.485 (H_s/D) \alpha_S I] / (170 H_s/D + 57) \quad (2-8)$$

For default $H_s/D = 0.5$, when $\alpha_R = \alpha_S$:

$$T_B = T_{AA} + 0.007 \alpha I \quad (2-9)$$

For external floating roof tanks with a steel double deck:

$$T_{LA} = 0.3 T_{AA} + 0.7 T_B + 0.009 \alpha_R I \quad (2-10)$$

where the liquid bulk temperature, T_B , is preferably determined from measurements or estimated from process knowledge, but otherwise may be estimated as follows:

$$T_B = T_{AA} + [0.39 \alpha_R I + 0.485 (H_s/D) \alpha_S I] / (170 H_s/D + 45) \quad (2-11)$$

For default $H_s/D = 0.5$, when $\alpha_R = \alpha_S$:

$$T_B = T_{AA} + 0.005 \alpha I \quad (2-12)$$

Deck Fitting Loss - Deck fitting losses from floating roof tanks can be estimated by the following equation:

$$L_F = F_F P^* M_V K_C \quad (2-13)$$

where:

L_F = the deck fitting loss, lb/yr

F_F = total deck fitting loss factor, lb-mole/yr

$$F_F = [(N_{F_1} K_{F_1}) + (N_{F_2} K_{F_2}) + \dots + (N_{F_{n_f}} K_{F_{n_f}})] \quad (2-14)$$

where:

N_{F_i} = number of deck fittings of a particular type ($i = 0, 1, 2, \dots, n_f$), dimensionless

K_{F_i} = deck fitting loss factor for a particular type fitting
(i = 0,1,2,...,n_f), lb-mole/yr; see Equation 2-15
 n_f = total number of different types of fittings, dimensionless
 P^* , M_v , K_C are as defined for Equation 2-3.

The value of F_F may be calculated by using actual tank-specific data for the number of each fitting type (N_F) and then multiplying by the fitting loss factor for each fitting (K_F).

The deck fitting loss factor, K_{F_i} for a particular type of fitting, can be estimated by the following equation:

$$K_{F_i} = K_{F_{a_i}} + K_{F_{b_i}} (K_v v)^{m_i} \quad (2-15)$$

where:

K_{F_i} = loss factor for a particular type of deck fitting, lb-mole/yr
 $K_{F_{a_i}}$ = zero wind speed loss factor for a particular type of fitting, lb-mole/yr
 $K_{F_{b_i}}$ = wind speed dependent loss factor for a particular type of fitting, lb-mole/(mph) ^{m_i} •yr
 m_i = loss factor for a particular type of deck fitting, dimensionless
 i = 1, 2, ..., n, dimensionless
 K_v = fitting wind speed correction factor, dimensionless; see below
 v = average ambient wind speed, mph

For external floating roof tanks, the fitting wind speed correction factor, K_v , is equal to 0.7. For internal and domed external floating roof tanks, the value of v in Equation 2-15 is zero and the equation becomes:

$$K_{F_i} = K_{F_{a_i}} \quad (2-16)$$

Loss factors K_{F_a} , K_{F_b} , and m are provided in Table 7.1-12 for the most common deck fittings used on floating roof tanks. These factors apply only to typical deck fitting conditions and when the average ambient wind speed is below 15 miles per hour. Typical numbers of deck fittings for floating roof tanks are presented in Tables 7.1-11, 7.1-12, 7.1-13, 7.1-14, and 7.1-15.

Loss factors may be estimated for deck fitting configurations that are not listed in Table 7.1-12, at the zero miles-per-hour wind speed condition (IFRTs and Domed EFRTs), from the following equation:

$$K_{f_{ai}} = 0.27(A_{fi})^{0.86} \quad (2-17)$$

Where:

$K_{f_{ai}}$ = zero-wind-speed loss factor for a particular type of deck fitting, in pound-moles per year.
 A_{fi} = liquid surface area within a particular type of deck fitting, in square inches. The liquid

surface area is the area inside the deck fitting well or leg sleeve, less any area occupied by an obstruction in the deck fitting well or leg sleeve (such as a fixed-roof support column, unslotted guidepole, guidepole float, or deck support leg).

The coefficient, 0.27, has units of pound-moles per (square inches)^{0.86}-year, and the exponent, 0.86, is dimensionless.

This equation is only applicable when the distance from the liquid surface to the top of the deck fitting well or leg sleeve is 12 inches or greater. Shorter deck fitting wells or leg sleeves may result in higher loss rates. There are no similar algorithms available for estimating loss factors for shorter deck fitting wells or leg sleeves.

This equation is for an uncontrolled deck fitting. Effective deck fitting controls would be expected to result in lower loss factors than would be estimated by this equation, but there are no algorithms available for estimating the effectiveness of deck fitting controls.

This equation is for the zero miles-per-hour wind speed condition. There are no algorithms available for estimating loss factors at non-zero wind speeds (EFRTs).

Deck Seam Loss – Deck seams that are welded are assumed to have no deck seam loss (i.e., $L_D = 0$). All external floating roofs are assumed to be of welded construction, and some internal floating roofs are of welded construction. Internal floating roof tanks with bolted decks may have deck seam losses. Deck seam loss can be estimated by the following equation:

$$L_D = K_D S_D D^2 P^* M_V K_C \quad (2-18)$$

where:

$$\begin{aligned} K_D &= \text{deck seam loss per unit seam length factor, lb-mole/ft-yr} \\ &= 0.0 \text{ for welded deck} \\ &= 0.14 \text{ for bolted deck; see Note} \\ S_D &= \text{deck seam length factor, ft/ft}^2 \\ &= \frac{L_{seam}}{A_{deck}} \end{aligned}$$

$$\text{where: } L_{seam} = \text{total length of deck seams, ft} \quad A_{deck} = \text{area of deck, ft}^2 = \frac{\pi \cdot D^2}{4}$$

D , P^* , M_V , and K_C are as defined for Equation 2-3.

If the total length of the deck seam is not known, Table 7.1-16 can be used to determine S_D . For a deck constructed from continuous metal sheets with a 7-ft spacing between the seams, a value of 0.14 ft/ft² can be used. A value of 0.33 ft/ft² can be used for S_D when a deck is constructed from rectangular panels 5 ft by 7.5 ft. Where tank-specific data concerning width of deck sheets or size of deck panels are unavailable, a default value for S_D can be assigned. A value of 0.20 ft/ft² can be assumed to represent the most common bolted decks currently in use.

Note: Recently vendors of bolted decks have been using various techniques, such as gasketing the deck seams, in an effort to reduce deck seam losses. However, emission factors are not currently available in AP-42 that represent the emission reduction, if any, achieved by these techniques. Some vendors have developed specific factors for their deck designs; however, use of these factors is not recommended until approval has been obtained from the governing regulatory agency or permitting authority. A weld seam does not have to be structural (*i.e.*, may be seal welded) to constitute a welded deck seam for purposes of estimating emissions, but a deck seam that is bolted or otherwise mechanically fastened and sealed with elastomeric materials or chemical adhesives is not a welded seam.

7.1.3.2.2 Working (withdrawal) Loss

The working loss from floating roof storage tanks, also known as withdrawal loss, can be estimated using Equation 2-19.

$$L_W = \frac{0.943 Q C_S W_L}{D} \left(1 + \frac{N_C F_C}{D} \right) \quad (2-19)$$

where:

- L_W = working (withdrawal) loss, lb/yr
- Q = annual net throughput, bbl/yr; see Note 1
- C_S = shell clingage factor, bbl/1,000 ft²; see Table 7.1-10
- W_L = average organic liquid density, lb/gal; see Note 2
- D = tank diameter, ft
- 0.943 = constant, 1,000 ft³•gal/bbl²
- N_C = number of fixed roof support columns, dimensionless; see Note 3
- F_C = effective column diameter, ft (column perimeter [ft]/ π); see Note 4

Notes:

1. For tanks in which liquid is pumped in and out at the same time, the use of gross throughput to estimate working loss would overstate emissions, but the overestimation would not be as significant as for the working loss of fixed roof tanks. It would be more appropriate to express Q in terms of the sum of the decreases in liquid level ΣH_{QD} . Over the course of a year, the sum of decreases in liquid level, ΣH_{QD} , and the sum of increases in liquid level, ΣH_{QI} , will be approximately the same. The effective annual throughput, Q , may be calculated in terms of ΣH_{QD} as follows:

$$Q = (\pi/4) D^2 (\Sigma H_{QD}/5.614) \quad (2-20)$$

ΣH_{QD} = the annual sum of the decreases in liquid level, ft/yr

D = tank diameter, ft

5.614 = the conversion of barrels to cubic feet, ft³/bbl

If ΣH_{QD} is unknown, Q can be taken as the annual net throughput.

2. A listing of the average organic liquid density for select petrochemicals is provided in Tables 7.1-2 and 7.1-3. If W_L is not known for gasoline, an average value of 5.6 lb/gal can be assumed.

3. For a self-supporting fixed roof or an external floating roof tank:

$$N_C = 0.$$

For a column-supported fixed roof:

$$N_C = \text{use tank-specific information or see Table 7.1-11.}$$

4. Use tank-specific effective column diameter or

$$F_C = 1.1 \text{ for 9-inch by 7-inch built-up columns, } 0.7 \text{ for 8-inch-diameter pipe columns, and } 1.0 \text{ if column construction details are not known}$$

7.1.3.3 Floating Roof Landing Losses²¹

When using floating roof tanks, the roof floats on the surface of the liquid inside the tank and reduces evaporative losses during routine operations. However, when the tank is emptied to the point that the roof lands on deck legs or hangers, there is a period where the roof is not floating and other mechanisms contribute to emissions. These emissions continue until the tank is refilled to a sufficient level to again float the roof. Therefore, these emission estimation calculations are applicable each time there is a landing of the floating roof.

This model does not directly address standing idle losses for partial days, but it would be reasonable to estimate the emissions for a partial day by estimating the standing idle emissions for a single day and then pro-rating that estimate by the number of hours that the floating roof was actually landed. For example, if the floating roof were landed for 6 hours, then the estimated standing idle losses would be 6/24, or one quarter, of the estimated daily standing idle losses.

The total loss from floating roof tanks during a roof landing is the sum of the standing idle losses and the filling losses. This relationship may be written in the form of an equation:

$$L_{TL} = L_{SL} + L_{FL} \quad (3-1)$$

where:

- L_{TL} = total losses during roof landing, lb per landing episode
- L_{SL} = standing idle losses during roof landing, lb per landing episode
- L_{FL} = filling losses during roof landing, lb per landing episode

The group of applicable equations to estimate the landing losses differs according to the type of floating roof tank that is being used. The equations needed to estimate landing losses from internal or domed external floating roof tanks are contained in Table 7.1-17; equations for external floating roof tanks are contained in Table 7.1-18; and equations for drain-dry floating roof tanks are contained in Table 7.1-19. The following sections explain these equations in more detail.

7.1.3.3.1 Standing Idle Losses

After the floating roof is landed and the liquid level in the tank continues to drop, a vacuum is created which could cause the floating roof to collapse. To prevent damage and to equalize the pressure, a breather vent (vacuum breaker) is actuated. Then, a vapor space is formed between the floating roof and the liquid. The breather vent may remain open until the roof is again floated, so whenever the roof is landed, vapor can be lost through this vent as well as through other deck fittings and past the rim seal. Even in the case of a self-closing breather vent, the vapor space beneath the floating roof is vented via the other deck fittings and the rim seal, which is effectively rendered vapor mounted once the liquid level drops below the bottom of the rim seal. These losses are called “standing idle losses.”

The three different mechanisms that contribute to standing idle losses are (1) breathing losses from vapor space, (2) wind losses, and (3) clingage losses. The specific loss mechanism is dependent on the type of floating roof tank and the bottom condition.

For internal or domed external floating roof tanks with liquid remaining in the bottom (liquid heel), the breathing losses originate from a discernible level of liquid that remains in the tank. This is typically the case for internal or domed external floating roof tanks with nominally flat bottoms (including those built with a slight upward cone), due to the flatness of the tank bottom and the position of the withdrawal line. If the remaining liquid covers the entire bottom of the tank, this is known as a full liquid heel. The liquid evaporates into the vapor space beneath the landed floating roof and daily changes in ambient temperature cause this vapor space to breathe in a manner similar to a fixed roof tank. A partial liquid heel may be left in tanks with sloped bottoms, if the withdrawal of liquid ceases while some free standing liquid remains in a sump or elsewhere in the bottom of the tank.

For external floating roof tanks, which are not fully shielded from the surrounding atmosphere, wind action across the landed floating roof can create pressure differentials that cause vapors to flow from beneath the floating roof. The higher the wind speeds, the more vapor that can be expelled. These are known as wind losses.

For tanks with a cone-down or shovel bottom, the floor of the tank is sloped to allow for more thorough emptying of the tank contents, therefore, the amount of liquid remaining may differ significantly from tanks with flat bottoms (see Figure 7.1-20). When the emptying operation drains the tank bottom but leaves a heel of liquid in or near the sump, the tank is considered to have a partial liquid heel. A drain-dry condition is attained only when all of the standing liquid has been removed, including from the bottom of the sump. However, due to sludge buildup, irregularity of the tank bottom and roughness of the inside of the tank, a small layer of liquid can remain clinging to the sloped bottom of a drain-dry tank. This layer of liquid will create vapor that can result in clingage losses. The amount of vapor produced within a drain-dry tank is directly related to this clingage. Clingage factors for various tank conditions are contained in Table 7.1-10. However, the clingage factors given in Table 7.1-10 are for the vertical shell of the tank, which is wiped by the rim seal each time the tank is emptied. The bottom of the tank is more nearly horizontal and is not wiped by a rim seal, and thus the clingage factors for a vertical shell would not be directly applicable. A clingage factor of 0.15 bbl/10³ft² should be used to represent the clingage on the tank bottom.

Standing Idle Loss for Tanks with a Liquid Heel

A constraint on the standing idle loss is added for floating roof tanks with a liquid heel in that the total emissions cannot exceed the available stock liquid in the tank. This upper limit, represented as L_{SLmax} , is a function of the volume and density of the liquid inside the tank.

$$L_{SLmax} = (\text{area of tank}) (\text{height of liquid}) (\text{density of liquid}) \quad (3-2)$$

Assuming that the tank has a circular bottom and adding a volume conversion unit, the equation can be simplified to Equation 3-3 and Equation 3-4.

$$L_{SLmax} = \left(\frac{\pi}{4}\right) D^2 h_L W_i (7.48) \quad (3-3)$$

$$L_{SLmax} = 5.9 D^2 h_e W_i \quad (3-4)$$

where:

- L_{SLmax} = limit on standing idle loss, lb per landing episode
- 7.48 = volume conversion factor, gal/ft³
- D = diameter of the tank, feet
- h_e = effective height of the stock liquid, feet
- W_i = density of the liquid inside the tank, lb/gal

Internal or Domed External Floating Roof Tank with a Liquid Heel

For internal or domed external floating roof tanks with liquid heels, the amount of “standing idle loss” depends on the amount of vapor within the vapor space under the floating roof. Essentially, the mechanism is identical to the breathing losses experienced with fixed roof tanks. The mechanism shown in Equation 3-5 is identical to Equation 1-2.

$$L_{SL} = 365 V_V W_V K_E K_S \quad (3-5)$$

where

- L_{SL} = annual breathing loss from standing idle during roof landing, lb/yr
- 365 = number of days in a year, days/yr
- V_V = volume of the vapor space, ft³
- W_V = stock vapor density, lb/ft³

$$W_V = \frac{M_V P_{VA}}{RT_V} \quad (3-6)$$

M_V = stock vapor molecular weight, lb/lb-mole

P_{VA} = true vapor pressure of the stock liquid, psia at the temperature beneath the landed floating roof (given that the tank bottom is in contact with the ground, assume the temperature to be equal to ground temperature, which is taken as the average ambient temperature for the month in which the landing occurs, unless a different temperature is known)

R = ideal gas constant, 10.731 (psia-ft³)/(lb-mole °R)

T_V = average vapor temperature, °R, given that the tank bottom is in contact with the ground, the temperature is assumed to be equal to ground temperature, which is taken as the average ambient temperature for the month in which the landing occurs, unless a different temperature is known

K_E = vapor space expansion factor, per day, calculated from Equation 1-5, 1-12 or 1-13 as appropriate, with the value of ΔP_B set equal to zero

K_S = standing idle saturation factor, dimensionless, calculated from Equation 1-21.

This equation requires adjustment, however, in that floating roof landing episodes are measured in days rather than years. Assuming that n_d equals the number of days that the tank stands idle and substituting for the stock vapor density according to Equation 3-6, the equation is further simplified to Equation 3-7.

(3-7)

$$L_{SL} = n_d K_E \frac{P_{VA} V_V}{R T_V} M_V K_S$$

The term with the highest amount of uncertainty is the saturation of the vapor beneath the landed floating roof. The standing idle saturation factor, K_S , is estimated with the same method used to calculate the vented vapor saturation factor for fixed roof tanks in Equation 1-21. In order to establish limits on the value of K_S , the estimated factor is assumed to be less than or equal to the filling saturation factor (S). (For more information see Filling Losses.)

The bottom of the tank may be flooded with a light distillate material, such as diesel, to reduce volatility when the original heel is a relatively volatile liquid such as gasoline. This procedure is referred to as distillate flushing. Testing has shown that, when the characteristics of the liquid heel beneath a landed floating roof are changed, the characteristics of the vapor space beneath the floating roof will tend toward equilibrium with the new liquid heel within 24 hours. The values for K_E , P_{VA} , and M_V in Equation 3-7 may, then, be based on the properties of the mixture resulting from distillate flushing the day following the introduction of the distillate into the tank. Properties of this mixture would be a weighted average of the properties of the original heel and the properties of the distillate material, proportional to the remaining quantities of each. [add reference]

External Floating Roof Tank with a Liquid Heel

For external floating roof tanks with a liquid heel, wind affects emission releases from the tanks. As a starting point, begin with a basic equation based on rim-seal loss. The equation, shown as Equation 3-8, is equivalent to Equation 2-3.

(3-8)

$$L_{RL} = (K_{Ra} + K_{Rb} v^n) D P^* M_V K_C$$

where

- L_{RL} = annual rim seal loss during roof landing, lb/yr
- K_{Ra} = zero wind speed rim seal loss factor, lb-mole/ft-yr
- K_{Rb} = wind speed dependent rim seal loss factor, lb-mole/((mph)ⁿ-ft-yr)
- n = seal-related wind speed loss exponent, dimensionless
(K_{Ra} , K_{Rb} , and n are specific to a given configuration of rim seal)
- v = average ambient wind speed, mph
- D = tank diameter, ft
- M_V = stock vapor molecular weight, lb/lb-mole
- K_C = product factor, dimensionless
- P^* = a vapor pressure function, dimensionless

(3-9)

$$P^* = \frac{\frac{P_{VA}}{P_A}}{\left(1 + \left[1 - \left(\frac{P_{VA}}{P_A}\right)\right]^{0.5}\right)^2}$$

where: P_A = atmospheric pressure, psia P_{VA} = true vapor pressure of the stock liquid, psia.

Assuming that the stock properties included in the vapor pressure function will adequately account for differences in liquid product type, K_C is assumed to equal 1. Regardless of the type of rim seal that is in use, it is effectively rendered a 'vapor-mounted' seal when the liquid level falls such that the rim seal is no longer in contact with the liquid. The contribution of a secondary seal is neglected in that it is offset by emissions through the deck fittings. The emissions are therefore based on the case of a welded tank with an average-fitting vapor-mounted primary seal. According to Table 7.1-8, the values of K_{ra} , K_{rb} , and n are 6.7, 0.2, and 3.0, respectively. The variables were substituted and the equation was converted from annual emissions to daily emissions by dividing the equation by 365. A value of 10 mph is assigned to the wind speed, so that estimated standing idle losses from an external floating roof tank will not be less than for a typical internal or domed external floating roof tank. Lower values for the rim seal loss factors or the wind speed should not be used. The equation for standing idle loss due to wind can be simplified to Equation 3-10.

$$L_{SL_{wind}} = 0.57 n_d D P^* M_V \quad (3-10)$$

where:

- $L_{SL_{wind}}$ = standing idle loss due to wind, lb per landing episode
- n_d = number of days that the tank is standing idle, days
- D = tank diameter, ft
- P^* = a vapor pressure function, dimensionless
- M_V = stock vapor molecular weight, lb/lb-mole

As with internal or domed external floating roof tanks with a liquid heel, distillate flushing may be used to reduce the volatility of the liquid heel and thus the values used for the stock properties. The value for M_V , and for P_{VA} in the calculation of P^* , may be based on the properties of the mixture resulting from distillate flushing the day following the introduction of the distillate into the tank.

After the wind empties the vapor space above the remaining liquid heel, the liquid will continue to produce vapor. Thus, this standing idle loss will occur every day that the tank stands idle with liquid remaining in the tank. This equation is adequate at this time but could be revised as additional testing is conducted and studied.

Limit on Standing Idle Losses from Drain-Dry Tanks

When a drain-dry tank has been emptied, the only stock liquid available inside the tank is a thin layer that clings to the wetted surface of the tank interior (if free-standing liquid remains in or near a sump, or in puddles on the tank bottom, then the tank should be evaluated as having a partial heel, and not as drain dry – see Figure 7.1-20). The slope prevents a significant amount of stock liquid from remaining

in the tank so that evaporation is much lower than from tanks with liquid heels. Due to the limited amount of liquid clinging to the interior of the tank, as shown in Figure 7.1-20, there would be no liquid remaining to replenish vapors once the clingage layer has evaporated. For this model, standing idle loss due to clingage is a one-time event rather than a daily event, involving only evaporation of the clingage layer.

The loss due to clingage is proportional to a clingage factor, which varies with the condition of the inside of the tank. A list of clingage factors are shown in Table 7.1-10. However, the clingage factors given in Table 7.1-10 are for the vertical shell of the tank, which is wiped by the rim seal each time the tank is emptied. The bottom of the tank is more nearly horizontal and is not wiped by a rim seal, and thus the clingage factors for a vertical shell would not be directly applicable to the tank bottom.

The factors are given in terms of barrels per thousand square feet. To convert the loss to pounds, the density of the liquid and the area of the tank bottom must be taken into account, as shown in Equation 3-11.

$$L_C = 0.042 C_S W_1 (Area) \quad (3-11)$$

where:

- L_C = clingage loss from the drain-dry tank, lb
- 0.042 = conversion factor, 1,000 gal/bbl
- C_S = clingage factor, bbl/1,000 ft²
- W_1 = density of the liquid, lb/gal
- Area = area of the tank bottom, ft²

$$Area = \left(\frac{\pi D^2}{4} \right) \quad (3-12)$$

Among the conditions shown in Table 7.1-10, the one that best approximates a sludge-lined tank bottom is gunite-lined, particularly given that the tank bottom is nearly horizontal and is not wiped by a rim seal. Assuming that gasoline is being stored in the tank, a clingage factor of 0.15 and the area term in Equation 3-12 were substituted into Equation 3-11, which simplifies to Equation 3-13.

$$L_{SL} = 0.0063 W_1 \frac{\pi D^2}{4} \quad (3-13)$$

The clingage loss should be constrained by an upper limit equal to the filling loss for an internal or domed external floating roof tank with a liquid heel. This is demonstrated in Equation 3-14.

$$L_{SLmax} = 0.60 \frac{P_{FA} V_F}{R T_F} M_V \quad (3-14)$$

where:

- L_{SLmax} = maximum standing idle loss for drain-dry tanks due to clingage, lb
- W_1 = density of the liquid inside the tank, lb/gal

- D = diameter of the tank, feet
- P_{VA} = true vapor pressure of the liquid inside the tank, psia
- V_V = volume of the vapor space, ft³
- R = ideal gas constant, 10.731 psia ft³ /lb-mole °R
- T_V = average temperature of the vapor and liquid below the floating roof, °R (= T_{AA})
- M_V = stock vapor molecular weight, lb/lb-mole

Therefore, the standing idle loss for drain-dry tanks, shown in Equation 3-13, must be less than or equal to Equation 3-14. This relationship is shown by Equation 3-15.

$$L_{SL} \leq 0.60 \frac{P_{VA} V_V}{R T_V} M_V \quad (3-15)$$

7.1.3.3.2 Filling Losses

When a floating roof tank is refilled, there are additional emissions resulting from the roof being landed. These losses are called “filling losses” and continue until the liquid reaches the level of the floating roof.

The first contributor to filling losses is called the “arrival” component. These are the vapors that remain under the floating roof at the end of the standing idle period but have not been accounted for as standing idle losses. For example, in the case of a liquid heel evaporation takes place into the vapor space beneath the landed floating roof. The vapors that are expelled from this vapor space by breathing are accounted for as standing idle losses, and the vapors that remain upon the commencement of refilling are deemed the arrival component of filling losses.

The second contributor to filling losses is called the “generated” component. These are the vapors created by the incoming liquid as it evaporates during the filling operation. Even when filling a completely clean and gas-free tank, the incoming liquid will generate a certain amount of vapors.

Limit on Filling Loss for Tanks with a Liquid Heel

A constraint on the filling loss is added for floating roof tanks with a liquid heel in that the total emissions cannot exceed the amount of stock liquid initially left in the tank less the amount attributed to standing idle loss, plus the vapors generated by incoming liquid upon refilling. This upper limit, represented as L_{FLmax}, may be determined as follows:

Initial amount of stock liquid = $5.9 D^2 h_{la} W_1$ from Equation 3-4

Amount attributed to standing idle loss = L_{SL} from the applicable equation above for the given type of tank

Amount generated by incoming liquid = $0.15 P_{VA} V_V M_V / R T_V$
from Equation 3-18 evaluated for a drain-dry tank, to account for only the generated component of vapors

These components of the upper limit on filling loss for a tank with a liquid heel may be combined into the following equation:

$$L_{FL} \leq (5.9 D^2 h_{ie} W_i) - L_{SL} + 0.15 \frac{P_{VA} V_V}{R T_V} M_V \quad (3-16)$$

General Equation for Filling Loss

The amount of vapor that is lost during filling is directly related to the volume of the vapor space and the saturation level of the vapor within the vapor space, as shown in Equation 3-17.

$L_{FL} = (\text{vapor space volume})(\text{vapor concentration})(\text{vapor mol wt})(\text{saturation factor})$
 After substituting for the major terms in Equation 3-17, the equation can be simplified to Equation 3-18.

$$L_{FL} = \left(\frac{P_{VA} V_V}{R T_V} \right) M_V (C_{sf} S) \quad (3-18)$$

where:

- L_{FL} = filling loss during roof landing, lb
- P_{VA} = true vapor pressure of the liquid within the tank, psia
- V_V = volume of the vapor space, ft³
- R = ideal gas constant, 10.731 psia-ft³/(lb-mole-°R)
- T_V = average temperature of the vapor below the floating roof, °R (see Equation 3-6)
- M_V = stock vapor molecular weight, lb/lb-mole
- C_{sf} = filling saturation correction factor for wind, dimensionless
- S = filling saturation factor, dimensionless (0.60 for a full liquid heel; 0.50 for a partial liquid heel).

In the event of a change of service during the landing event, the equation should be run separately for the arrival and generated components. The arrival component should be based on the liquid properties of the prior service and a saturation factor of $(C_{sf} S - 0.15)$. The generated component should be based on the properties of the incoming liquid and a saturation factor of 0.15. Internal or Domed External Floating Roof Tank with a Liquid Heel

A value of 0.6 for the filling saturation factor, which is used in Section 5.2, Table 5.2-1 for submerged loading of tank trucks and rail cars, has been demonstrated to be suitable for the case of a full liquid heel. A value of 0.5 has been demonstrated for the case of a partial liquid heel. In that the landed floating roof in an internal or domed external floating roof tank is shielded from wind by the fixed roof, the value of C_{sf} is taken as 1.0.

External Floating Roof Tank with a Liquid Heel

For external floating roof tanks with a liquid heel, the amount of vapor lost during filling will be less than the amount for internal or domed external floating roof tanks because of wind effects. The

“arrival” component will have been partially flushed out of the tank by the wind, so the preceding equation requires evaluation of the filling saturation correction factor for wind, C_{sf} . The basic premise of the correction factor is that the vapors expelled by wind action will not be present in the vapor space when the tank is refilled, so the amount of saturation is lowered. This is demonstrated in Equation 3-19.

$$C_{sf} = 1 - \frac{(\text{one day of wind driven standing idle loss}) - (\text{one day without wind standing idle loss})}{\text{one day without wind total loss}} \quad (3-19)$$

The equation for the filling saturation correction factor can be simplified based on other equations contained in this section as shown in Equation 3-20 and Equation 3-21.

$$C_{sf} = 1 - \left(\frac{(\text{Equation 3-10}) - (\text{Equation 3-7})}{(\text{Equation 3-7}) + (\text{Equation 3-18})} \right) \quad (3-20)$$

Substituting the indicated equations, with the number of days set equal to 1 and C_{sf} set equal to 1 in Equation 3-18 for the case without wind:

$$C_{sf} = 1 - \left(\frac{(0.57 \cdot 1 \cdot D \cdot P^* \cdot M_V) - \left(1 \cdot K_E \cdot \left(\frac{P_{VA} \cdot V_V}{R \cdot T_V}\right) \cdot M_V \cdot K_S\right)}{\left(1 \cdot K_E \cdot \left(\frac{P_{VA} \cdot V_V}{R \cdot T_V}\right) \cdot M_V \cdot K_S\right) + \left(\left(\frac{P_{VA} \cdot V_V}{R \cdot T_V}\right) \cdot M_V \cdot (1 \cdot S)\right)} \right) \quad (3-21)$$

where:

C_{sf} = filling saturation correction factor for wind, dimensionless

n_d = set equal to 1, days

K_E = vapor space expansion factor, per day, calculated from Equation 1-5, 1-12 or 1-13 as appropriate, with the value of ΔP_B set equal to zero

V_V = volume of the vapor space, ft^3

$$V_V = \frac{h_v \pi D^2}{4} \quad (3-22)$$

h_v = height of the vapor space under the floating roof, ft D = tank diameter, ft

R = ideal gas constant, $10.731 \text{ psia ft}^3 / \text{lb-mole R}$

M_V = stock vapor molecular weight, lb/lb-mole

K_S = standing idle saturation factor, dimensionless

S = filling saturation factor, dimensionless

P^* = vapor pressure function, dimensionless

W_1 = stock liquid density, lb/gal

Drain-Dry Tanks

The “arrival” component of filling losses for drain-dry tanks is completely covered by the “clingage” loss. Once this initial loss occurs, there is no remaining liquid inside the tank. Therefore, any vapors remaining in the tank prior to introducing the incoming liquid would have already been accounted for as standing idle loss, and thus saturation of the arrival component for drain-dry tank filling losses is taken as 0. Similarly, a tank with a full or partial liquid heel for which evaporation of the entire heel has been accounted for as standing idle loss should be considered to have no arrival component of filling losses, nor should a tank that has been cleaned. Each of these scenarios is deemed “drain dry” for purposes of estimating the filling loss.

However, the “generated” component remains a valid aspect of the model. Therefore, the filling saturation factor will be lower for drain-dry tanks than for tanks with a liquid heel due to the lack of an “arrival” component. And, given the absence of an arrival component of vapors for filling loss, the filling saturation correction factor for wind is taken as 1.0.

AP-42 Chapter 5, *Petroleum Industry*, provides emission factors for the loading of gasoline and crude oil into compartments according to the prior state of the compartment. A drain-dry tank would be most similar to a tank that was cleaned before filling because a cleaned tank also lacks “arrival” losses. The emission factor (0.33 lb/1000 gallons) for this kind of tank can be converted to a saturation factor by assuming a pressure of 8 psia (the same assumption used in the formulation of the emission factor) and substituting the molecular weight of gasoline (64 lb/lb-mole). The resulting saturation factor of 0.15 is applied as the filling saturation factor for drain-dry tanks regardless of the stored liquid.

7.1.3.4 Tank Cleaning Emissions²³

The methodology presented in this section for estimating emissions associated with tank cleaning events is expressly for the estimation of vapors that are expelled from the tank during forced ventilation. These vapors potentially occur whenever forced ventilation of the tank is in operation while volatile organic material remains in the tank, regardless of whether any tank cleaning is actually taking place.

For purposes of estimating emissions, tank cleaning may be characterized as comprising the steps listed below.

Prior to commencement of forced ventilation (*i.e.*, not included in the tank cleaning calculations):

Normal Pumpout: As much stock liquid as possible is pumped out through the tank outlet in the normal manner (*i.e.*, until the liquid level has dropped below the open end of the outlet line, and no more liquid moves through the outlet). If the tank has a floating roof, the floating roof will have landed on its legs and the vacuum breaker vent will have opened, causing air to be drawn into the space beneath the floating roof. Emissions that occur during normal pumpout are accounted for as routine emissions for fixed-roof tanks and as floating roof landing losses for floating roof tanks, and thus the normal pumpout period does not require additional calculations pertaining to tank cleaning.

Standing Idle: The tank may remain in the condition resulting from normal pumpout for some

period of time until the next step begins. Emissions that occur during this period are accounted for as routine standing (breathing) loss for fixed roof tanks, and as standing idle loss during a floating roof landing for floating roof tanks, and thus the standing idle period does not require additional calculations pertaining to tank cleaning.

During forced ventilation (these are the steps for which additional tank cleaning calculations are required):

- a) Vapor Space Purge: When eductors, fans, or blowers are started up, either at the top of the tank or at a shell manhole, cleanout fitting or other shell fitting, the first air change is deemed to expel those vapors that remain from the prior standing idle period. This first air change is characterized as a purge of vapors from the tank. Emissions associated with subsequent air changes are accounted for under continued forced ventilation.

A vapor space purge will occur each time that ventilation commences after a period of standing idle without forced ventilation.

- b) Continued Forced Ventilation: Forced ventilation refers to the removal of vapors from a tank by means of eductors, fans, or blowers. As long as volatile materials remain in the tank, some portion of the volatile material will evaporate into the air being moved through the tank by forced ventilation. The forced ventilation will then expel these vapors from the tank.

If forced ventilation is discontinued, such as during the overnight period, then the tank is returned to a standing idle condition. A subsequent restarting of forced ventilation will result in another vapor space purge followed by a period of continued forced ventilation.

After the tank is clean and gas free, even if forced ventilation is continuing (not included in the tank cleaning calculations):

Remain Clean: Once the tank has been rendered clean and gas free it may remain in the clean condition for some period of time. While forced ventilation may continue, there would be no further emissions in that there would be no remaining sources of vapors once the tank has been cleaned. Thus the period of remaining clean does not require additional calculations pertaining to tank cleaning.

Refilling: If the tank is subsequently refilled, there will be vapors generated by the incoming stock which would then be expelled from the tank by the rising liquid level. For a fixed roof tank, these refilling emissions are accounted for as routine working (filling) losses. For a floating roof tank, these refilling emissions are calculated in the same manner as for the refilling after a floating roof landing. In that the tank has been cleaned, the filling saturation factor for the refilling should be 0.15, as for a drain dry tank. The refilling losses, then, do not require additional methodology in this section pertaining to tank cleaning.

The emissions to be accounted for in this section on tank cleaning emissions, then, are those associated with forced ventilation while volatile material remains in the tank. The equations needed to estimate emissions resulting from forced ventilation during tank cleaning are contained in Tables 7.1-20 and 7.1-21; equations for the vapor space purge are contained in Table 7.1-20 and equations for

continued forced ventilation are contained in Table 7.1-21. The following sections explain these equations in more detail.

$$LFV = LP + LCV \quad (4-1)$$

where:

LFV = total emissions due to forced ventilation during a tank cleaning event, lb

LP = vapor space purge emissions associated with the first air change following commencement of forced ventilation, lb

LCV = emissions from continued forced ventilation following the first air change, lb

7.1.3.4.1 Vapor Space Purge Emissions

The daily breathing cycle that produces the standing idle emissions causes only a portion of the vapors in the vapor space to be expelled from the tank. The vapors that remain in the vapor space are not accounted for in the calculation of standing idle emissions. Commencement of forced ventilation expels these remaining vapors from the tank. The first air change of the vapor space upon commencing forced ventilation may be referred to as the vapor space purge, and the emissions may be estimated as follows:

$$L_P = (P_{VA} V_V / R T_V) M_V S \quad (4-2)$$

where:

P_{VA} = the true vapor pressure of the exposed volatile material in the tank (psia),

V_V = volume (ft³) of the vapor space,

R = the ideal gas constant (psia ft³ per lb-mole °R),
= 10.731 psia ft³ per lb-mole °R,

T_V = the average temperature of the vapor space (°R),
= the average ambient temperature (°R),

M_V = the stock vapor molecular weight (lb/lb-mole),

S is a saturation factor evaluated as a function of the tank type and heel condition, as discussed later in this section

The volatility of the remaining materials may be less than the volatility of the previously stored stock liquid, and thus an appropriate judgment should be made in assigning properties to the residual material in the tank bottom for purposes of determining values for the true vapor pressure, P_{VA} , and the stock vapor molecular weight, M_V .

The bottom of the tank may be flooded with a light distillate material, such as diesel, to facilitate removal of sludge from the bottom of the tank. This procedure is referred to as distillate flushing. Testing has shown that, when the characteristics of the liquid heel beneath a landed floating roof are changed, the characteristics of the vapor space beneath the floating roof will tend toward equilibrium with the new liquid heel within 24 hours. The values for P_{VA} and M_V in Equation 4-2 may, then, be based on the properties of the mixture resulting from distillate flushing the day following the introduction of the

distillate into the tank. Properties of this mixture would be a weighted average of the properties of the original heel and the properties of the distillate material, proportional to the remaining quantities of each.²⁴

The vapor space purge comprises the expulsion of one vapor space volume, similar to one working-loss (filling) cycle of the vapor space. Emissions associated with subsequent air changes are accounted for as continued forced ventilation emissions.

Fixed Roof Tanks

The volume of the vapor space for estimating working loss from a fixed-roof tank is calculated from the maximum liquid height to which the tank may be filled. For a vapor space purge, however, the volume of the vapor space is the entire volume under the tank roof:

$$VV = HVO (\pi D^2/4) \quad (4-3)$$

where:

HVO = the fixed-roof tank vapor space outage (ft)

$$HVO = HS - hl + HRO \quad (4-4)$$

where:

HS = the height of the tank shell (ft),

hl = the height of the stock liquid and sludge above the tank bottom at the tank shell (ft), and

HRO = the roof outage (the effective height of the vapor space enclosed by the tank roof, ft)

= $S_R D/6$ for a cone-shaped roof, where S_R is the roof slope in feet per foot.

The vapor space outage, HVO , would be slightly greater for the case of a cone-down bottom in a tank that does not have a full liquid heel. The slope of bottoms tends to be much less than the slope of roofs, however, and the contribution of the bottom cone to the vapor space outage would be very small compared to the full shell height.

The saturation factor for filling a fixed-roof tank is given as the turnover factor, K_N , in Equation 1-35, and defined as:

$$K_N = (180 + N)/6N$$

where:

N = number of turnovers per year, dimensionless

It would be advantageous to express this saturation factor in terms of days between turnovers (*i.e.*, days standing idle, nd). The number of days between turnovers may be expressed as follows:

$$\underline{nd} = 365 / N$$

and thus the equation for K_N may be rewritten as:

$$K_N = (0.5 n_d + 1) / 6 \quad (4-5)$$

Recognizing that the turnover factor, K_N , is the saturation factor to be used for calculating filling losses from a fixed-roof tank, the saturation factor, S , may be substituted for the turnover factor, K_N .

$$S = (0.5 n_d + 1) / 6 \quad (4-6)$$

For periods of less than one day, a value of 1 should be used for the standing idle time, n_d . This effectively imposes a minimum value of 0.25 for the saturation factor, S . Thus a value of 0.25 should be used for S when the vapor space purge follows a standing idle period that was limited to an overnight cessation of forced ventilation.

The saturation factor value of 0.5 for an internal or domed external floating roof tank with a partial heel, as shown in Equation 3-18, may be reasonably chosen as an upper bound on the value of S for a fixed roof tank vapor space purge. It would be expected, for a given diameter of tank and type of liquid heel, that the accumulated vapors would be less concentrated in the larger vapor space of the fixed roof tank than under a landed floating roof, and thus a value of 0.5 should be a conservative upper bound for the fixed roof tank vapor space purge saturation factor.

These limits are expressed as follows:

$$S \geq 0.25 \quad (4-7)$$

$$S \leq 0.5 \quad (4-8)$$

Floating Roof Tanks

The volume of the vapor space for estimating the vapor space purge loss from a floating-roof tank is limited to the space under the floating roof, in that vapors which escape past the floating roof prior to the commencement of forced ventilation are separately accounted for as standing idle loss from the floating roof landing event:

$$\begin{aligned} V_V &= \text{volume (ft}^3\text{) of the vapor space under the floating roof,} \\ &= (h_v) (\pi D^2/4), \end{aligned} \quad (4-9)$$

where:

h_v = the height (ft) of the vapor space under the floating roof for the given vapor space purge (see Table 7.1-4)

The saturation factor, S , for the initial vapor space purge is evaluated as specified for the filling saturation factor for a floating roof landing. This approach is conservative in that filling losses have both an arrival component, from resident vapors, and a generated component, from vapors generated by

incoming liquid (e.g., 25% of the filling saturation factor for an internal or domed external floating-roof tank with a full liquid heel may be attributable to the incoming liquid – the contribution of the incoming liquid to the vapor concentration varies with the filling scenario). The vapor space purge does not involve incoming liquid, however, and therefore would have only the arrival component of vapors. It is conservative, therefore, to use saturation factors that include allowance for the generated component of vapors.

When forced ventilation is discontinued overnight, then the tank cleaning process will involve a daily cycle that includes a period of standing idle (overnight) followed by a vapor space purge (when forced ventilation resumes the next morning). Emissions from overnight standing idle periods are accounted for in the estimate of the next morning's vapor space purge. In that the overnight standing idle emissions are taken as zero, there is no accounting for wind-driven losses of vapor from under external floating roofs. These vapors must then be accounted for with the following morning's vapor space purge. That is, the neglect of wind driven emissions during the overnight period means that the vapors must be considered to still be present when estimating the next morning's vapor space purge, and thus there must be no factoring down of the saturation level for the case of external floating-roof tanks. In other words, C_{sf} should be taken as 1.0 when the vapor space purge follows a standing idle period that was limited to an overnight cessation of forced ventilation.

Saturation factor values to be used for floating roof tanks are summarized as follows:

Full liquid heel

Internal or domed external floating roof tank

$$S = 0.6$$

External floating roof tank

$$S = (0.6 C_{sf}), \text{ where } C_{sf} \text{ is evaluated as shown in Equation 3-21 with } n_d \text{ set to 1 for the initial vapor space purge; for subsequent vapor space purges that follow a cessation of forced ventilation overnight, } C_{sf} \text{ shall be taken as 1.0}$$

Partial liquid heel

Internal or domed external floating roof tank

$$S = 0.5$$

External floating roof tank

$$S = (0.5 C_{sf}), \text{ where } C_{sf} \text{ is evaluated as shown in Equation 3-21 with } n_d \text{ set to 1 for the initial vapor space purge; for subsequent vapor space purges that follow a cessation of forced ventilation overnight, } C_{sf} \text{ shall be taken as 1.0}$$

If all free flowing liquid has been removed, and only sludge remains, use the saturation factor for a partial heel, in that there is still volatile material in the tank but not free liquid across the entire bottom.

If the heel condition is drain dry, use a saturation factor value of 0, in that evaporation of the clingage would have already been accounted for in the estimation of the floating roof landing losses.

7.1.3.4.2 Continued Forced Ventilation Emissions

The calculation of vapor space purge emissions account for the vapors that are expelled by the

first air change of the vapor space upon commencing forced ventilation at the end of a standing idle period. There may still be volatile materials remaining in the tank, however, that will continue to evaporate and generate vapors, and these additional vapors are expelled by continued forced ventilation.

Continued forced ventilation emissions are calculated from the average vapor concentration in the vapor space (which may be reported as a percent of the lower explosive limit, or %LEL), the ventilation rate, and the length of time during which forced ventilation continues to operate. These parameters are often known since they may be monitored for safety reasons.

The vapor concentration may be approximated from the reading of an LEL monitor, which is generally displayed as a percent of the LEL for the gas to which the monitor has been calibrated. LEL values for selected calibration gases are given in Table 7.1-5. The vapor concentration may also be approximated from the reading of an organic or toxic vapor analyzer, which may be displayed in parts per million by volume as the calibration gas.

To determine the vapor concentration from a %LEL reading, the LEL of the calibration gas is multiplied by the reading from the LEL monitor, after each has been divided by 100 to convert from a percent to a decimal fraction. This gives a volume concentration (mole fraction) in terms of the calibration gas. This concentration is corrected by a response factor (RF) to account for the difference in the sensitivity of the LEL monitor to the actual vapors as compared to its sensitivity to the calibration gas. When the response factor is unknown, use a value of one (RF = 1.0).

If the vapor concentration is very low, it may be below the minimum detection level of the LEL monitor. In this case, it may be reasonable to use half the minimum detection level as the %LEL for determining the vapor concentration.

In order to estimate the mass of vapors that are expelled from the tank by continued forced ventilation, the vapor concentration in terms of volume must be converted to vapor density in terms of mass. In order to convert vapor concentration to density, use the molecular weight of the calibration gas for the LEL monitor. Uncertainty is reduced if the molecular weight of the calibration gas is similar to the molecular weight of the stock vapors.

The continued forced ventilation emissions (LCV) estimated by the vapor concentration method are:

$$LCV = 60 Q_v n_{CV} t_v CV (P_a MCG / R TV) \quad (4-10)$$

where:

60 is the conversion of hours to minutes, min/hr

Q_v = average ventilation rate during continued forced ventilation, ft³/min [Note: The nominal rated capacity of eductors, fans, or blowers should be factored by the resistance associated with ductwork or other obstructions in order to estimate the actual air flow rate. Fan capacity may be governed by a required number of air changes per hour.]

n_{CV} = the duration of continued forced ventilation, days

t_v = the daily period of forced ventilation, hr/day [Note: Do not include the initial time for the

vapor space purge. It would be reasonable to neglect the first half hour from each stage of continued forced ventilation],

CV = average vapor concentration by volume during continued forced ventilation, dimensionless

= (average LEL as displayed) (LEL of the calibration gas) RF

“average LEL as displayed” is the average of the % LEL readings during a given stage of continued forced ventilation, divided by 100 to convert to a decimal fraction; LEL readings from the first half hour may be neglected in the determination of an average value

“LEL of the calibration gas” is the LEL of the gas used to calibrate the LEL monitor, expressed as a decimal fraction

RF = response factor, dimensionless

= 1.0 if unknown. EPA Method 21 allows usage of a vapor monitoring instrument without correction for the response factor, as long as the response factor is less than 10 (40 CFR Part 60 Appendix A-7, Method 21, paragraph 8.1.1.2).

Alternatively, CV may be obtained from an organic vapor analyzer or toxic vapor analyzer that displays directly in terms of volume concentration, rather than displaying in terms of LEL.

P_a = atmospheric pressure at the tank location, psia

M_{CG} = calibration gas molecular weight, lb/lb-mole

R = ideal gas constant

= 10.731 psia-ft³/(lb-mole °R),

TV = average temperature of the vapor below the floating roof, °R

= the average ambient temperature, °R

The vapor concentration (CV) is limited by saturation of the vapor space. This limit may be expressed as:

$$CV \leq \frac{PVA}{P_a} \tag{4-11}$$

where:

PVA = the true vapor pressure of the exposed volatile material in the tank, psia

The estimate of continued forced ventilation emissions should be compared to an upper limit equal to the total weight of volatile sludge remaining in the tank. While there is free-standing stock liquid remaining in the tank, the sludge may conservatively be assumed to consist entirely of stock liquid in establishing the emissions upper limit. This limit is expressed as follows:

$$LCV \leq 5.9D^2 h_{le} W_l \tag{4-12}$$

where:

D = the tank diameter, feet

$h|e$ = the effective height of the stock liquid and sludge for the given stage of continued forced ventilation, ft (see Table 7.1-4)

Wl = the density of the stock liquid, pounds per gallon

the constant, 5.9, has units of gal/ft^3 (the product of the constant term $\pi/4$ and the conversion factor $7.48 \text{ gal}/\text{ft}^3$).

$$LCV \leq (\pi/4)(D \text{ ft})^2 F_e (d_s \text{ in.})(Wl \text{ lb/gal})(\text{ft}/12 \text{ in.})(7.48 \text{ gal}/\text{ft}^3)$$

$$LCV \leq 0.49 F_e D^2 d_s Wl$$

Once the free-standing stock liquid has

been vacuumed out (or drained out, in the case of a drain-dry tank), however, much of the remaining sludge consists of relatively non-volatile residue. The upper limit on emissions from the vacuumed-out condition may assume that 20% of the sludge is volatile. This limit is expressed as follows: (4-13)

where:

F_e = the fraction of the sludge with potential to evaporate (= 0.20 if unknown)

d_s = the average depth of sludge, inches

the constant, 0.49, has units of $\text{gal}/(\text{in. ft}^2)$, and the other terms are defined as shown above.

7.1.3.5 Flashing Loss²⁵

The equations in Section 7.1.3.1 for estimating routine emissions from fixed roof tanks do not address the scenario of a tank storing a liquid which contains gases that have the potential to flash out of solution. This scenario occurs when a gas-liquid mixture has been under sufficient pressure to maintain the entrained gases in solution, but the mixture is then subjected to a drop in system pressure such that the pressure is no longer sufficient to maintain the gases in solution. The gases will then rapidly migrate out of the liquid, similar to carbon dioxide fizzing out of solution when a carbonated beverage container is opened. This escape of gases from the mixture is referred to as flashing.

The most common scenario for flashing in the petroleum industry is the storage of crude oil or condensate in the production field. Even though the produced well stream has typically been processed by one or more separators prior to produced liquids being deposited into a storage tank, the exit pressure from the last stage separator may be significantly greater than the pressure in the first storage tank. Thus the produced liquid stream will experience a pressure drop upon entering the storage tank, and remaining gases will have the potential to flash out of solution in the tank. This scenario, then, has the potential for flashing losses in addition to routine standing and working losses.

There are numerous methodologies available for estimating flashing losses and specific guidance regarding their application and use. However, discussion of such methodologies is beyond the scope of this section. The accuracy of methods that rely on a site-specific sample is dependent on how representative the sample is of production from that site, and the accuracy of methods that rely on process simulation is dependent on how representative the modeling assumptions are of the actual conditions at the site. The conditions to be determined by sampling or modeling are of the crude oil or condensate properties at the last stage separator, in the oil compartment before the dump valve.

In addition to evaluating a tank with the potential for flashing losses, the tank must also be evaluated for routine standing and working losses as described in Section 7.1.3.1. If vapors are routed to a control device, the control efficiency of the device should be applied to the flashing loss as well as to the standing and working losses. If vapors are routed to a compressor for injection into a gas line or process, the control efficiency would be assumed to be 100% whenever the compressor is on-line.

7.1.3.6 Variable Vapor Space Tanks¹⁸

Variable vapor space filling losses result when vapor is displaced by liquid during filling operations. Since the variable vapor space tank has an expandable vapor storage capacity, this loss is not as large as the filling loss associated with fixed roof tanks. Loss of vapor occurs when the tank's vapor storage capacity is exceeded. Equation 6-1 assumes that one-fourth of the expansion capacity is available at the beginning of each transfer.

Variable vapor space system filling losses can be estimated from:

$$L_V = (2.40 \times 10^{-2}) \left(\frac{M_V P_{FA}}{V_1} \right) [(V_1) - (0.25 V_2 N_2)] \quad (6-1)$$

where:

L_V = variable vapor space filling loss, lb/1,000 gal throughput

M_V = molecular weight of vapor in storage tank, lb/lb-mole; see Note 1 to Equation 1-22

- P_{VA} = true vapor pressure at the average daily liquid surface temperature, psia; see Notes 1 and 2 to Equation 1-22
- V_1 = volume of liquid pumped into system, throughput, bbl/yr
- V_2 = volume expansion capacity of system, bbl; see Note 1
- N_2 = number of transfers into system, dimensionless; see Note 2

Notes:

1. V_2 is the volume expansion capacity of the variable vapor space achieved by roof lifting or diaphragm flexing.

2. N_2 is the number of transfers into the system during the time period that corresponds to a throughput of V_1 .

The accuracy of Equation 6-1 is not documented. Special tank operating conditions may result in actual losses significantly different from the estimates provided by Equation 6-1. For example, if one or more tanks with interconnected vapor spaces are filled while others are emptied simultaneously, all or part of the expelled vapors will be transferred to the tank, or tanks, being emptied. This is called balanced pumping or vapor balancing. Equation 6-1 does not account for balanced pumping and will overestimate losses under this condition. It should also be noted that, although not developed for use with heavier petroleum liquids such as kerosenes and fuel oils, the equation is recommended for use with heavier petroleum liquids in the absence of better data.

Variable vapor space tanks that rely on either a flexible diaphragm or a flexible coated fabric seal will have additional losses to the extent that vapors leak through or past the membrane used for the diaphragm or seal. The leakage rate through the membrane is a function of the permeability of the fabric material from which the membrane is manufactured, and a leakage rate past the membrane is a function of the leak tightness of the seam or seams where the membrane is attached to the tank wall. These leakage rates depend upon the type of fabric used for the membrane and the manner in which the membrane is attached to the tank wall.

7.1.3.7 Pressure Tanks

Losses occur during routine operations in low-pressure (2.5 to 15 psig) tanks to the extent that atmospheric venting occurs. These losses are a function of the vent set pressure and are accounted for in the equations for routine fixed roof tank standing and working losses in Section 7.1.3.1. High-pressure tanks are considered closed systems, with virtually no emissions. Fugitive losses from high-pressure tanks are estimated as equipment leaks and are not addressed in the methodology for estimating storage tank emissions.

A blanket of nitrogen gas is sometimes maintained in a storage tank for either safety or product purity purposes, but the presence of the nitrogen gas does not reduce emissions. This is because hydrocarbons readily evaporate into a nitrogen atmosphere, as evidenced by the fact that ambient air is approximately 79% nitrogen. However, a nitrogen blanket is sometimes maintained in a closed or pressurized system. In such a case, while evaporation rates would not be affected by the presence of the nitrogen blanket, emissions may be reduced as result of the vapor space in the tank being tied to a closed or pressurized system.

7.1.3.8 Variations Of Emission Estimation Procedures

7.1.3.8.1 Time Periods Shorter Than One Year²⁶

All of the emission estimation procedures presented in Section 7.1.3 can be used to estimate emissions for shorter time periods by manipulating the inputs to the equations for the time period in question, with an associated increase in uncertainty when applying the equations to fewer tanks or shorter time periods. Using actual data, such as the measured liquid temperature and true vapor pressure of the stored liquid, can reduce the uncertainty in the emissions estimate.

For all of the emission estimation procedures, the true vapor pressure should be calculated from an average daily liquid surface temperature based on the appropriate temperature and insolation data for the time period over which the estimate is to be evaluated. For example, emission calculations for the month of June would be based only on the meteorological data for June. It is important to note that a 1-month time frame is recommended as the shortest time period for which emissions should be estimated using these methodologies.

In addition to the temperature and vapor pressure corrections, the constant in the standing loss equation for fixed roof tanks would need to be revised based on the actual time frame used. The constant, 365, is based on the number of days in a year. To change the equation for a different time period, the constant should be changed to the appropriate number of days in the time period for which emissions are being estimated.

The turnover factor in the working loss equation for fixed roof tanks would need to be extrapolated to an annual rate when estimating emissions for a time period other than one year. This would be a matter of dividing the number of turnovers during the given time period by the number of days in the time period and then multiplying by 365. Also, the throughput would need to be changed from the throughput per year to the throughput during the time period for which emissions are estimated.

Other than changing the meteorological data and the vapor pressure data, the only changes needed for the floating roof rim seal, deck fitting, and deck seam losses would be to modify the time frame by dividing the individual losses by the appropriate number of days or months. The only change to the withdrawal losses would be to change the throughput to the throughput for the time period for which emissions are being estimated.

The issues that render the equations for routine emissions inappropriate for time periods shorter than one month include, but are not limited to, the following:

- a) Temperature calculations are simplified. There are many parameters involved in a thermal balance model for a storage tank, some of which are listed below. It has been deemed suitable to assign default values to several of these parameters when the calculations are applied to a large population of storage tanks located over a wide geographical area for emissions that occur over the course of a year. However, actual values for these parameters for an individual storage tank configuration or location, or for a particular day of the year, may deviate significantly from the default values. Section 7.1.3.8.3 presents a more detailed discussion of parameters affecting thermal balance in a storage tank.
 1. The angle of incident solar radiation (i.e., the solar declination).

2. Reflectivity of surrounding surfaces.
 3. Height to diameter ratio of the tank.
 4. Liquid level.
 5. Ambient wind speed.
 6. Thermal conductance of the floating roof.
 7. Presence of a fixed roof (versus an open top).
- b) Changes in the liquid bulk temperature. The parameters which are accounted for as variables in the equations for routine emissions are evaluated in a manner that does not account for short-term phenomena. For example, calculations of temperature variables in the equations for routine emissions are based on the liquid and vapor phases within the tank having achieved a state of thermal equilibrium. The calculations do not, however, account for how long it may take for thermal equilibrium to be achieved after there has been a change in the thermal balance, such as the receipt of a batch of liquid. It is demonstrated in the reference cited in Section 7.1.3.8.3 that a typical time period for approaching thermal equilibrium may be approximately nine days, and thus a tank that has received liquid within the prior nine days would be expected to not be in thermal equilibrium. If measured bulk temperature is used instead of the estimated bulk temperature when estimating emissions, the time for the liquid to reach thermal equilibrium becomes unimportant when estimating emissions on a shorter time-scale.
- c) Changes in ambient temperature. As ambient temperature changes, there would be an associated change in the vapor space temperature and subsequently in the liquid surface temperature. There would, however, be a time lag between a change in the ambient temperature and the associated change in the liquid surface temperature. This time lag is deemed inconsequential for the estimation of annual or monthly emissions but would be expected to be more significant for shorter periods of time. Shorter time periods would also be more significantly influenced by abrupt short-term meteorological phenomena, such as cooling due to cloud cover or precipitation.
- d) Saturation factors. The saturation level of vapors in the headspace of a fixed roof tank is a similarly time-dependent phenomenon. The equations for routine emissions do not fully account for the time lag required to achieve saturation equilibrium in response to short-term fluctuations in the values of applicable parameters.
- e) Vapor expansion rate. The calculation of standing loss for a fixed roof tank is based on the total amount of vapor expansion that is expected to occur between the coolest night time temperature and the warmest day time temperature. The equation does not, however, calculate the hourly rate at which the vapor expansion takes place or the distribution of vapor expansion over the course of a day. This hourly rate would be dependent on several of the variables noted in (a) above, as well as on whether the tank shell is insulated. As discussed above in Note 1 following Equation 1-5, a fixed roof tank with an insulated shell but an uninsulated roof would be expected to have sufficient capacity for heat exchange through the roof such that vapor space expansion would occur. However, the insulated shell may cause the vapor space expansion to have a different hourly pattern than would be expected in the case of an uninsulated tank shell.

- f) Vent flow capacity. In addition to not calculating the hourly rate of vapor expansion, as noted above, the calculation of standing loss for a fixed roof tank does not take into account whether the flow capacity of the tank vents will further limit the hourly rate at which vapors will be expelled from the tank as a result of daytime vapor expansion.
- g) Changes in barometric pressure. The equations for routine emissions consider the barometric pressure to be a constant for a given location, in that it has been deemed reasonable to use the average barometric pressure when estimating emissions over the course of a year. However, short-term changes in barometric pressure could impact short-term vapor expansion rates.
- h) Fill rate. The calculation of working loss for a fixed roof tank is based on the total volume of vapor expelled over the course of a year, which can be thought of as the total number of tankfuls of vapor displaced. However, the equation does not account for the hourly rate at which a tank is filled.
- i) Standing loss for floating roof tanks. The equations for calculating routine standing losses from floating roof tanks are based on the rate at which vapors migrate from the liquid below the floating roof to the tank headspace above the floating roof, and do not account for the rate at which these vapors may be eventually expelled from the tank.
- j) Working loss for floating roof tanks. The calculation of working loss for a floating roof tank is based on the evaporation of the wetted surface that is left on the inside wall of the tank after lowering the liquid level. The calculation assumes that the entire film of liquid evaporates, but it does not account for the hourly rate at which the film of liquid evaporates or when the vapors are actually expelled from the tank.
- k) Vapor space outage. The calculation of standing loss for a fixed roof tank is based on an assumed vapor space outage corresponding to the average liquid height. However, at any given point in time the tank may be nearly empty or nearly full, thus resulting in very different scenarios of vapor space outage. For example, if the vapor space expansion factor is 0.15, that indicates 15% of the vapor space will be expelled by daytime warming and expelling 15% of the vapor space when the tank is nearly empty would constitute a far greater volume than 15% of the vapor space when the tank is nearly full.
- l) Vented vapor saturation factor. The saturation factor used in the calculation of standing loss for a fixed roof tank is similarly dependent on the vapor space outage. Annual emission estimates are based on the average liquid height, but the calculation would indicate a lower vapor saturation when the tank is nearly empty and a higher vapor saturation when the tank is nearly full.

7.1.3.8.2 Internal Floating Roof Tanks with Closed Vent Systems²⁷

The equations for routine emissions from internal floating roof tanks assume the tank has open vents in the fixed roof. Estimation of emissions when an internal floating roof tank has closed pressure/vacuum vents is presented in API Technical Report 2569.

The adjustment to account for the closed pressure/vacuum vents in the estimate of emissions was found to be significant only for small diameter tanks storing relatively high volatility liquids with infrequent turnovers. When the volatility of the stored liquid is no greater than that of diesel, then the adjustment is generally less than 10% regardless of the tank diameter or the number of turnovers. When

the tank diameter is 60 feet or greater and the number of turnovers per year is greater than 18, then the adjustment is generally less than 10% regardless of the volatility of the stored liquid. Given the high degree of uncertainty associated with these calculations, and the burden of performing them, it would be reasonable to apply a default reduction of 5% on the total estimated emissions to account for the use of closed vents on a floating roof tank in lieu of calculating a reduction specific to the given situation.

7.1.3.8.3 Case-Specific Liquid Surface Temperature Determinations²²

Several parameters pertaining to liquid surface temperature are assigned default values for incorporation into the equations for routine emissions. Methodology to account for selected parameters as variables in the estimation of emissions from a particular storage tank at a particular location is presented in API Manual of Petroleum Measurement Standards Chapter 19.4, Annex I.

7.1.3.8.4 Heating Cycles in Fully Insulated Fixed Roof Tanks⁸

The equations in Section 7.1.3.1.1 for standing loss from fixed roof tanks are based on the daily cycle of warming and cooling of the vapor space due to heat exchange between the vapor space and ambient air through the shell and roof of the tank. This heat exchange results in daytime expansion and nighttime contraction of vapors in the vapor space, with each expansion cycle causing some portion of the vapors to be expelled from the vapor space. The resulting emissions are referred to as breathing losses.

A similar cycle of expansion and contraction of vapors in the vapor space may be driven by cyclic heating of the bulk liquid. Even in a fully insulated storage tank, in which there is minimal heat exchange with ambient air, the temperature in the tank vapor space will cycle through a range if the bulk liquid is heated periodically. This could occur by occasionally receiving hot stock, which then cools over time prior to the next receipt of hot stock, or as a result of the tank being heated by some means that is periodically turned on and off.

For uninsulated tanks or for tanks with an insulated shell but an uninsulated roof, the effect of bulk liquid heating cycles on standing loss may be neglected because it may be random as to whether cycles of heating the bulk liquid add to or subtract from the vapor space temperature variation driven by the diurnal ambient temperature cycle.

For fully insulated storage tanks, however, standing loss may be driven by cyclic heating of the bulk liquid. The equations for routine fixed roof tank breathing loss may be adapted to the case of cyclic heating of the bulk liquid, as shown below.

The annual breathing loss is calculated from Equation 1-4:

$$L_S = 365 K_E \left(\frac{\pi}{4} D^2 \right) H_{VO} K_S W_T \quad (1-4)$$

The variables in this equation should be evaluated for calculating heating cycle breathing losses in the same manner as described in Section 7.1.3.1.1 for routine breathing losses, except as noted below.

The constant 365 is the number of days in a year. In that heating cycle breathing is an event that is a function of the frequency of the heating cycle, rather than being a daily phenomenon, replace the

constant 365 with the number of heating cycles in the given time period.

The vapor space expansion factor K_E is calculated from Equation 1-5:

$$K_E = \frac{\Delta T_V}{T_{LA}} + \frac{\Delta P_V - \Delta P_E}{P_A - P_{VA}} > 0 \quad (1-5)$$

In a fully insulated tank, the vapor space temperature and the liquid surface temperature are both assumed to be equal to the liquid bulk temperature. Thus the vapor temperature range ΔT_V should be calculated from the actual range of liquid bulk temperature in the tank, rather than using Equation 1-6 or Equation 1-7. The actual range of liquid bulk temperature may be determined from direct measurements or estimated from process knowledge.

$$\Delta T_V = T_{BX} - T_{BN} \quad (8-1)$$

where:

T_{BX} = typical maximum liquid bulk temperature in the heating cycle, °R

T_{BN} = typical minimum liquid bulk temperature in the heating cycle, °R

The vapor pressure range ΔP_V is calculated from Equation 1-9.

$$\Delta P_V = P_{VX} - P_{VN} \quad (1-9)$$

where:

P_{VX} and P_{VN} are the vapor pressures at T_{LX} and T_{LN} , respectively, and:

$T_{LX} = T_{BX}$

$T_{LN} = T_{BN}$

Similarly, the average liquid surface temperature T_{LA} should be taken as being equal to actual average liquid bulk temperature, rather than being calculated from Equation 1-27 or Equation 1-28.

$$T_{LA} = T_B \quad (8-2)$$

7.1.4 Speciation Methodology²²

In some cases it may be important to know the annual emission rate for a component (e. g., HAP) of a stored liquid mixture. There are two basic approaches that can be used to estimate emissions for a single component of a stored liquid mixture. One approach involves calculating the total losses based upon the known physical properties of the mixture (i. e., gasoline) in the vapor phase and then determining the individual component losses by multiplying the total loss by the vapor weight fraction of the desired component. However, the weight fraction of a given component in the vapor phase will vary with temperature, and thus this approach is valid only at the temperature for which the vapor weight fraction was determined.

The second approach is similar to the first approach except that the mixture properties in the vapor phase are unknown; therefore, the vapor phase mixture properties are first determined based on the composition of the liquid mixture. This involves application of Raoult's Law, which assumes ideal behavior on the part of each of the components in the mixture. An assumption of ideal behavior has been found to be reasonable for most hydrocarbon mixtures. The two approaches outlined above are illustrated in Case 1 below.

An assumption of ideal behavior may not be appropriate for aqueous mixtures or mixtures containing alcohols. The molecules of water and alcohols are polar, meaning that the individual molecules of these substances have an attraction for one another, resulting in behavior that deviates significantly from ideal assumptions. An illustration of speciation for a dilute aqueous mixture is presented in Case 2 below. Tanks containing aqueous mixtures in which phase separation has occurred, resulting in a free layer of oil or other volatile materials floating on top of the water, should have emissions estimated on the basis of the properties of the free top layer.

Raoult's Law is also not applied to speciate working (withdrawal) loss from floating roof tanks. The application of Raoult's Law outlined in this section assumes the fraction of the available liquid that evaporates is very small compared to the total mass of liquid available, and thus the properties of the remaining liquid can be assumed to be unaffected by the loss of the evaporated fraction. Floating roof withdrawal loss, however, involves evaporation of a thin film of liquid from the wetted tank shell as the liquid level descends. It is typically assumed that the entire film of liquid evaporates, and thus relative fractions of individual components in the vapors would be the same as for the liquid. It would be appropriate, however, to adjust this assumption to recognize that substances which are non-subliming solids at the storage temperature (such as most polycyclic aromatic hydrocarbons at ambient temperatures) are not going to evaporate.

Case 1 – If the physical properties of the mixture are known (P_{VA} , M_V , M_L and W_L), the total losses from the tank should be estimated using the procedures described previously for the particular tank type. The component losses are then determined from either Equation 40-1 or 40-2. For fixed roof tanks, the emission rate for each individual component can be estimated by:

$$L_{T_i} = (Z_{V_i})(L_T) \quad (40-1)$$

where:

L_{T_i} = emission rate of component i, lb/yr

Z_{V_i} = weight fraction of component i in the vapor, lb/lb
 L_T = total losses, lb/yr

For floating roof tanks, the emission rate for each individual component can be estimated by:

$$L_{T_i} = (Z_{V_i})(L_R + L_F + L_D) + (Z_{L_i})(L_W) \quad (40-2)$$

where:

L_{T_i} = emission rate of component i, lb/yr
 Z_{V_i} = weight fraction of component i in the vapor, lb/lb
 L_R = rim seal losses, lb/yr
 L_F = deck fitting losses, lb/yr
 L_D = deck seam losses, lb/yr
 Z_{L_i} = weight fraction of component i in the liquid, lb/lb
 L_W = working (withdrawal) losses, lb/yr

If Equation 40-1 is used in place of Equation 40-2 for floating roof tanks, the value obtained will be approximately the same value as that achieved with Equation 40-2 because withdrawal losses are typically minimal for floating roof tanks.

In order to use Equations 40-1 and 40-2, the weight fraction of the desired component in the liquid and vapor phase is needed. The liquid weight fraction of the desired component is typically known or can be readily calculated or determined by analysis for most mixtures. In order to calculate the weight fraction in the vapor phase, Raoult's Law must first be used to determine the partial pressure of the component. The partial pressure of the component can then be divided by the total vapor pressure of the mixture to determine the mole fraction of the component in the vapor phase. Raoult's Law states that the mole fraction of the component in the liquid (x_i) multiplied by the vapor pressure of the pure component (at the average daily liquid surface temperature) (P) is equal to the partial pressure (P_i) of that component:

$$P_i = (P)(x_i) \quad (40-3)$$

where:

P_i = partial pressure of component i, psia
 P = vapor pressure of pure component i at the average daily liquid surface temperature, psia
 x_i = liquid mole fraction, lb-mole/lb-mole

The vapor pressure of each component can be calculated from Antoine's equation or found in standard references, as shown in Section 7.1.3.1. In order to use Equation 40-3, the liquid mole fraction must be determined from the liquid weight fraction by:

$$x_i = \left(\frac{Z_{L_i} M_L}{M_i} \right) \quad (40-4)$$

where:

x_i = liquid mole fraction of component i, lb-mole/lb-mole

Z_{L_i} = weight fraction of component i in the liquid, lb/lb
 M_L = molecular weight of liquid stock, lb/lb-mole
 M_i = molecular weight of component i, lb/lb-mole

The liquid mole fraction and the vapor pressure of the component at the average daily liquid surface temperature can then be substituted into Equation 40-3 to obtain the partial pressure of the component. The vapor mole fraction of the component can be determined from the following equation:

$$y_i = \frac{P_i}{P_{VA}} \quad (40-5)$$

where:

y_i = vapor mole fraction of component i, lb-mole/lb-mole
 P_i = partial pressure of component i, psia
 P_{VA} = total vapor pressure of liquid mixture, psia

The weight fractions in the vapor phase are calculated from the mole fractions in the vapor phase.

$$Z_{V_i} = \frac{y_i M_i}{M_V} \quad (40-6)$$

where:

Z_{V_i} = vapor weight fraction of component i, lb/lb
 y_i = vapor mole fraction of component i, lb-mole/lb-mole
 M_i = molecular weight of component i, lb/lb-mole
 M_V = molecular weight of vapor stock, lb/lb-mole

The liquid and vapor weight fractions of each desired component and the total losses can be substituted into either Equations 40-1 or 40-2 to estimate the individual component losses.

Case 2 –For special cases, such as wastewater, where the liquid mixture is a dilute aqueous solution, Henry's Law should be used instead of Raoult's Law in calculating total losses. Henry's Law states that the mole fraction of the component in the liquid phase multiplied by the Henry's Law constant for the component in the mixture is equal to the partial pressure (P_i) for that component. For wastewater, Henry's Law constants are typically provided in the form of atm•m³/g-mole.

Therefore, the appropriate form of Henry's Law equation is:

$$P_i = (H_A) (C_i) \quad (40-7)$$

where:

P_i = partial pressure of component i, atm
 H_A = Henry's Law constant for component i, atm•m³/g-mole
 C_i = concentration of component i in the wastewater, g-mole/m³; see Note

Section 4.3 of AP-42 presents Henry's Law constants for selected organic liquids in water at 25 °C. The partial pressure calculated from Equation 40-7 will need to be converted from atmospheres to psia (1 atm = 14.7 psia).

Note: Typically wastewater concentrations are given in mg/liter, which is equivalent to g/m³. To convert the concentrations to g-mole/m³ divide the concentration by the molecular weight of the component.

The total vapor pressure of the mixture can be calculated from the sum of the partial pressures:

$$P_{VA} = \sum P_i \quad (40-8)$$

where:

P_{VA} = vapor pressure at average daily liquid surface temperature, psia

P_i = partial pressure of component i, psia

This procedure can be used to determine the vapor pressure at any temperature. After computing the total vapor pressure, the mole fractions in the vapor phase are calculated using Equation 40-5. The vapor mole fractions are used to calculate the molecular weight of the vapor, M_V . The molecular weight of the vapor can be calculated by:

$$M_V = \sum M_i y_i \quad (40-9)$$

where:

M_V = molecular weight of the vapor, lb/lb-mole

M_i = molecular weight of component i, lb/lb-mole

y_i = vapor mole fraction of component i, lb-mole/lb-mole

Another variable that may need to be calculated before estimating the total losses, if it is not available in a standard reference, is the density of the liquid, W_L . If the density of the liquid is unknown, it can be estimated based on the liquid weight fractions of each component (see Section 7.1.5, Example 3).

All of the mixture properties are now known (P_{VA} , M_V , and W_L). These values can now be used with the emission estimation procedures outlined in Section 7.1.3 to estimate total losses. After calculating the total losses, the component losses can be calculated by using either Equations 40-1 or 40-2. Prior to calculating component losses, Equation 40-6 must be used to determine the vapor weight fractions of each component.

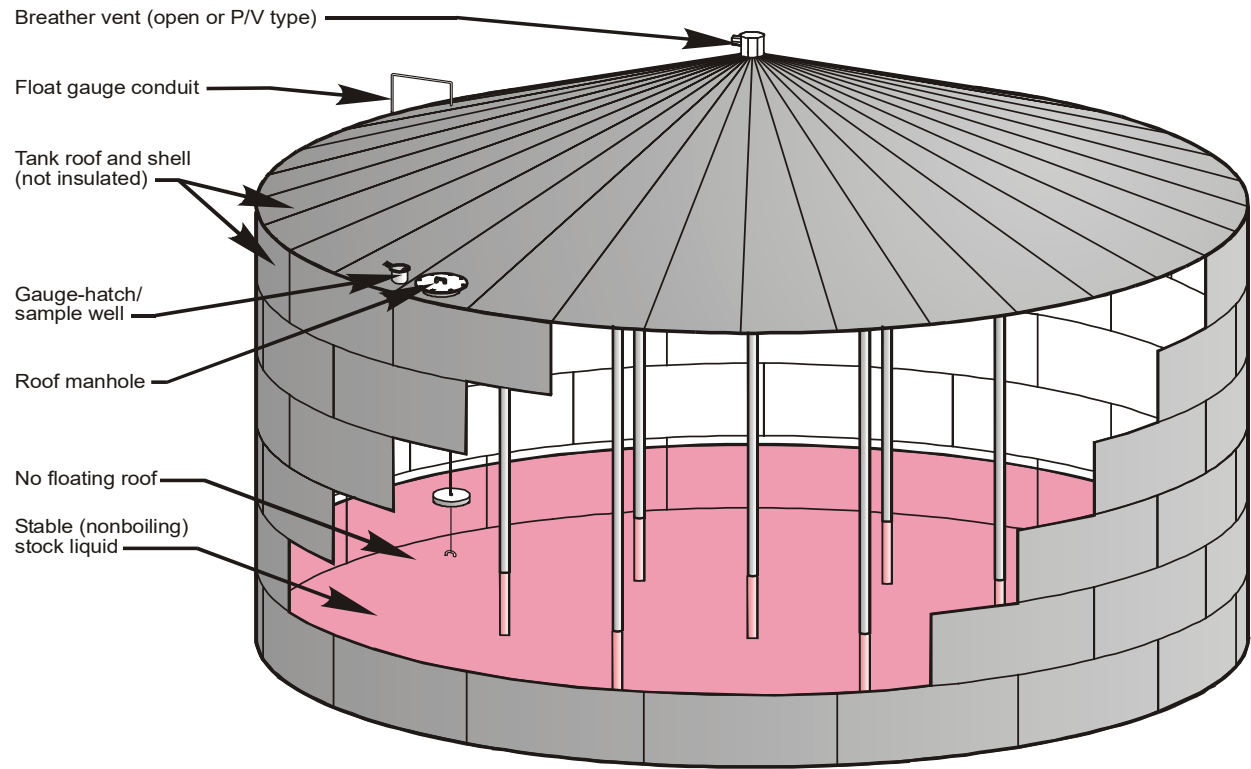


Figure 7.1-1. Typical fixed-roof tank.²⁰

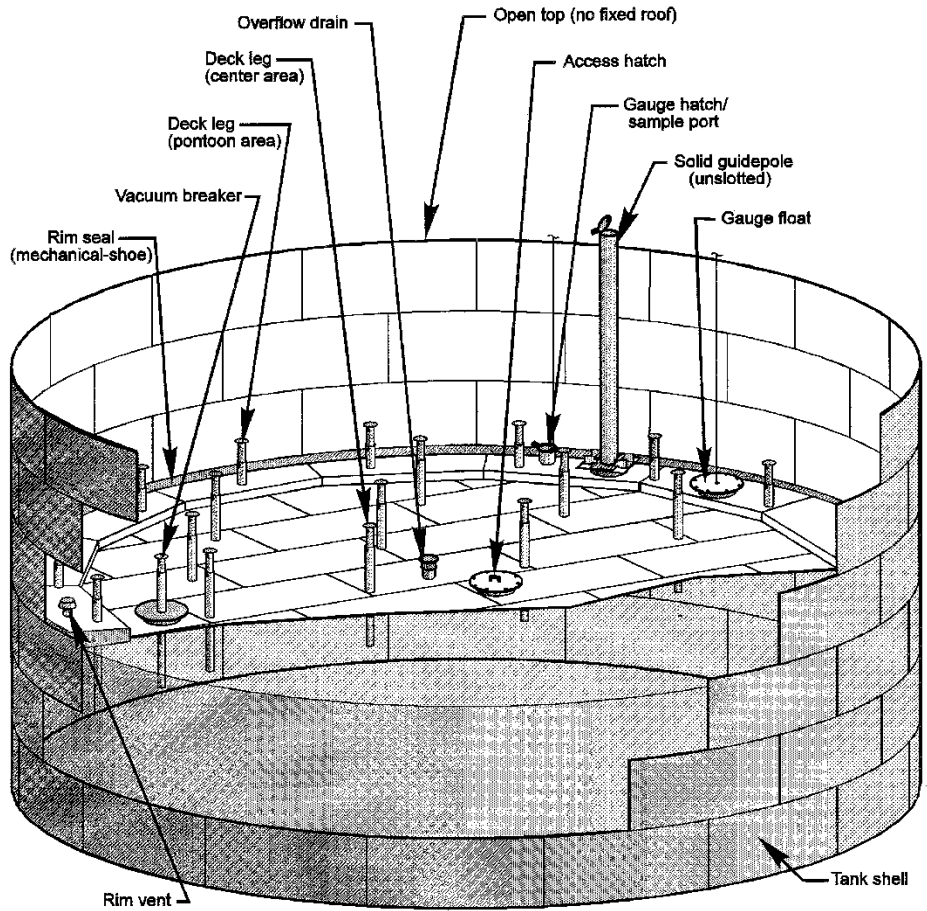


Figure 7.1-2. External floating roof tank (pontoon type).²⁰

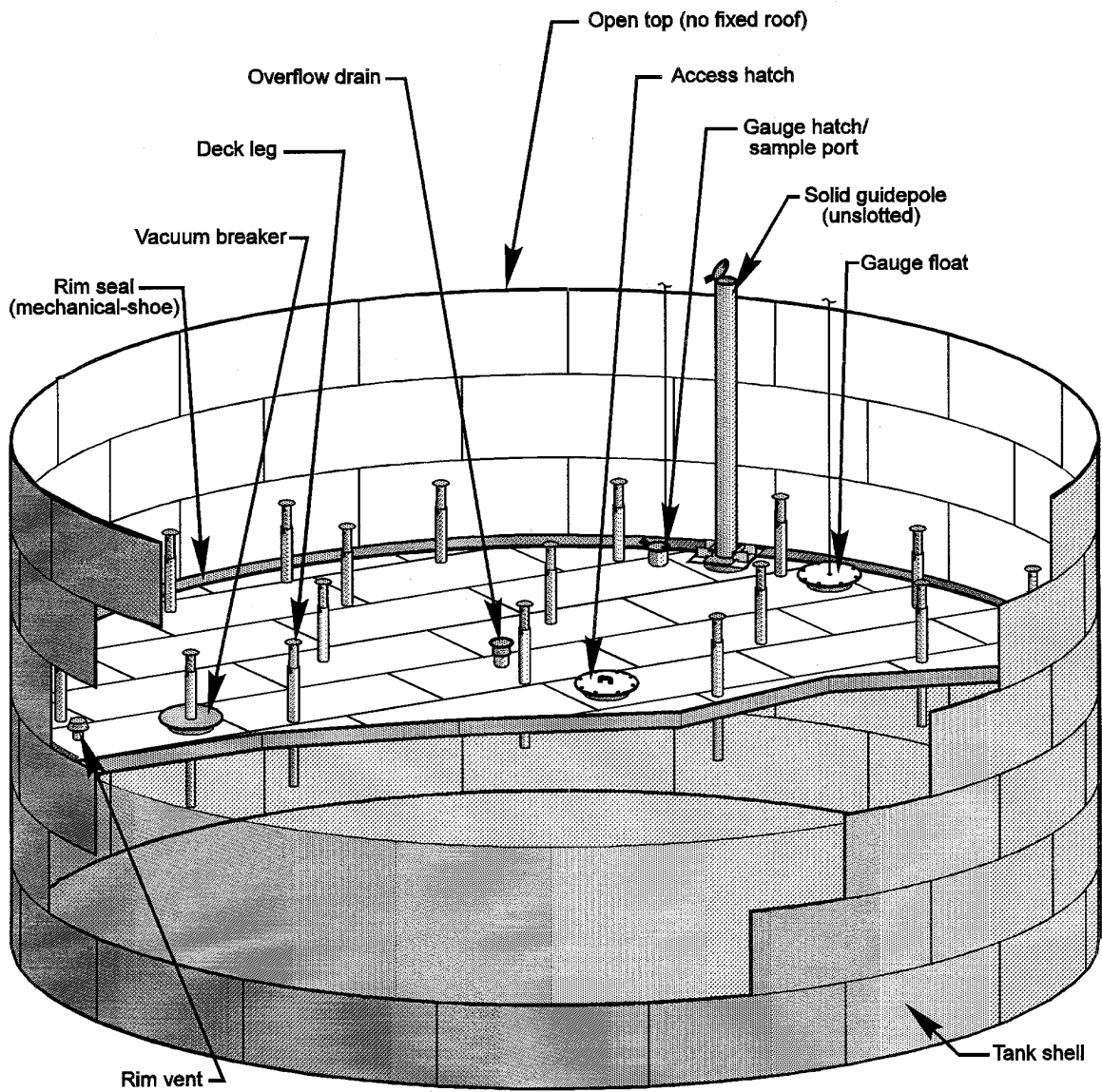


Figure 7.1-3. External floating roof tank (double deck).²⁰

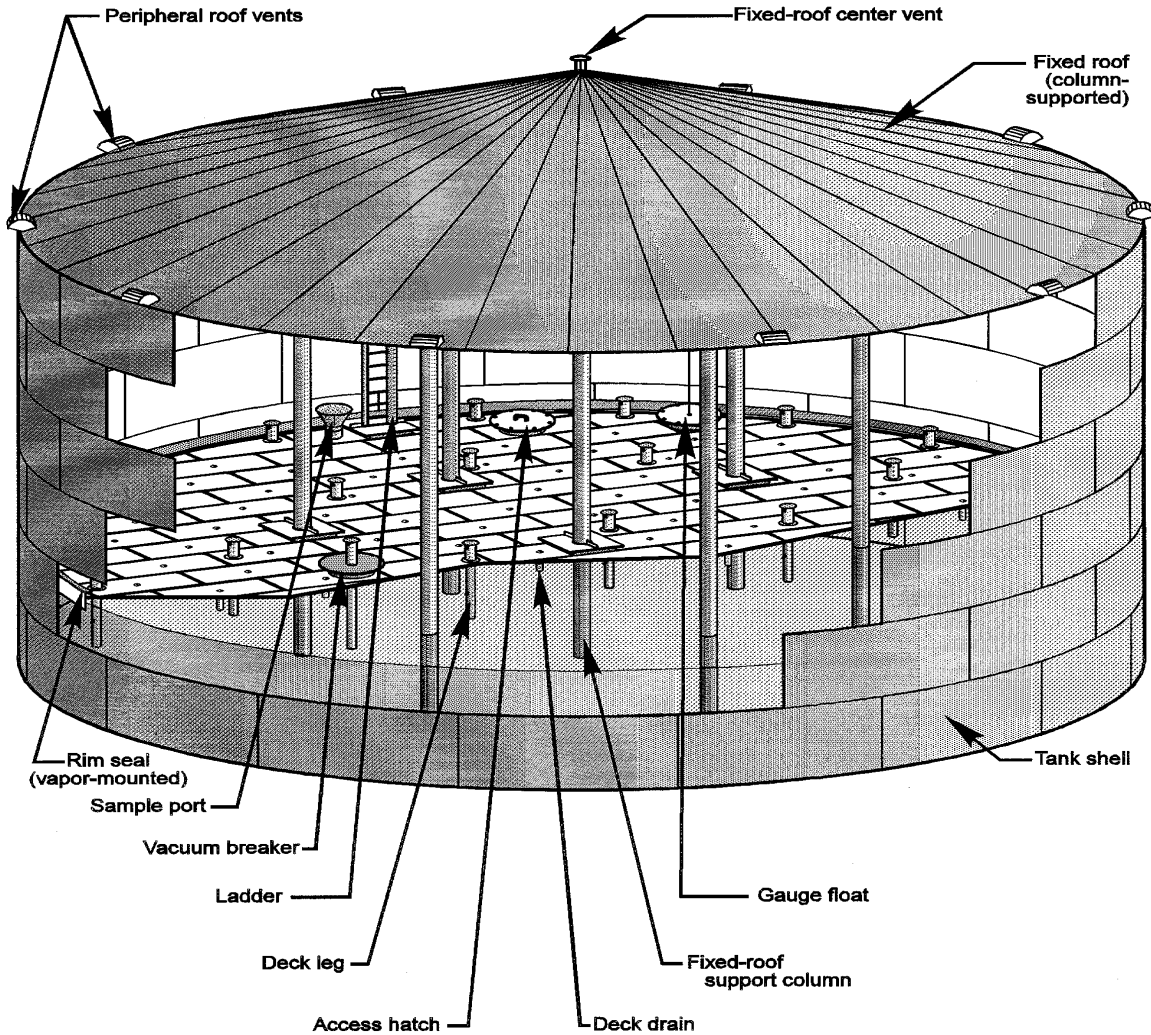


Figure 7.1-4. Internal floating roof tank.²⁰

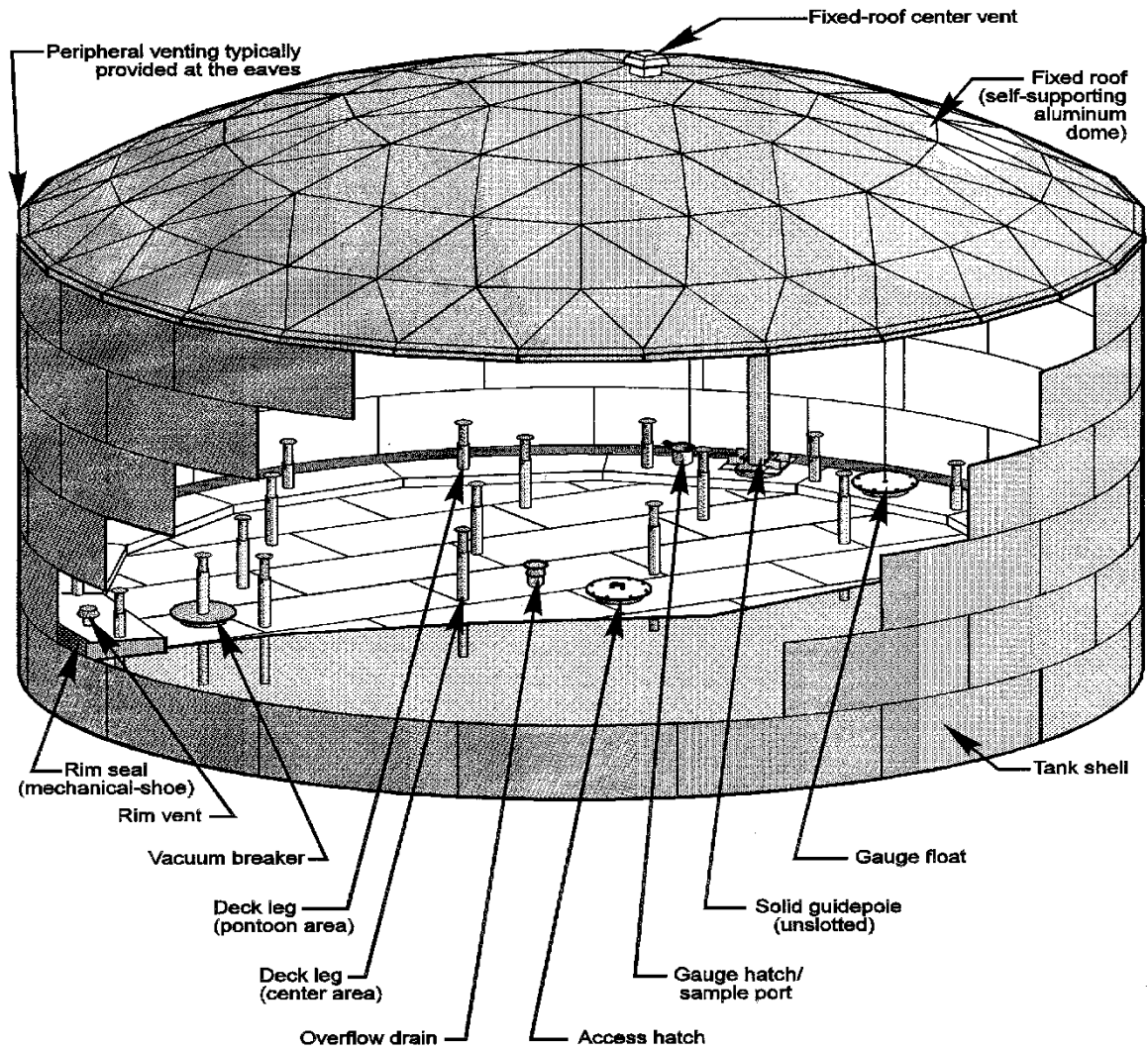


Figure 7.1-5. Domed external floating roof tank.²⁰

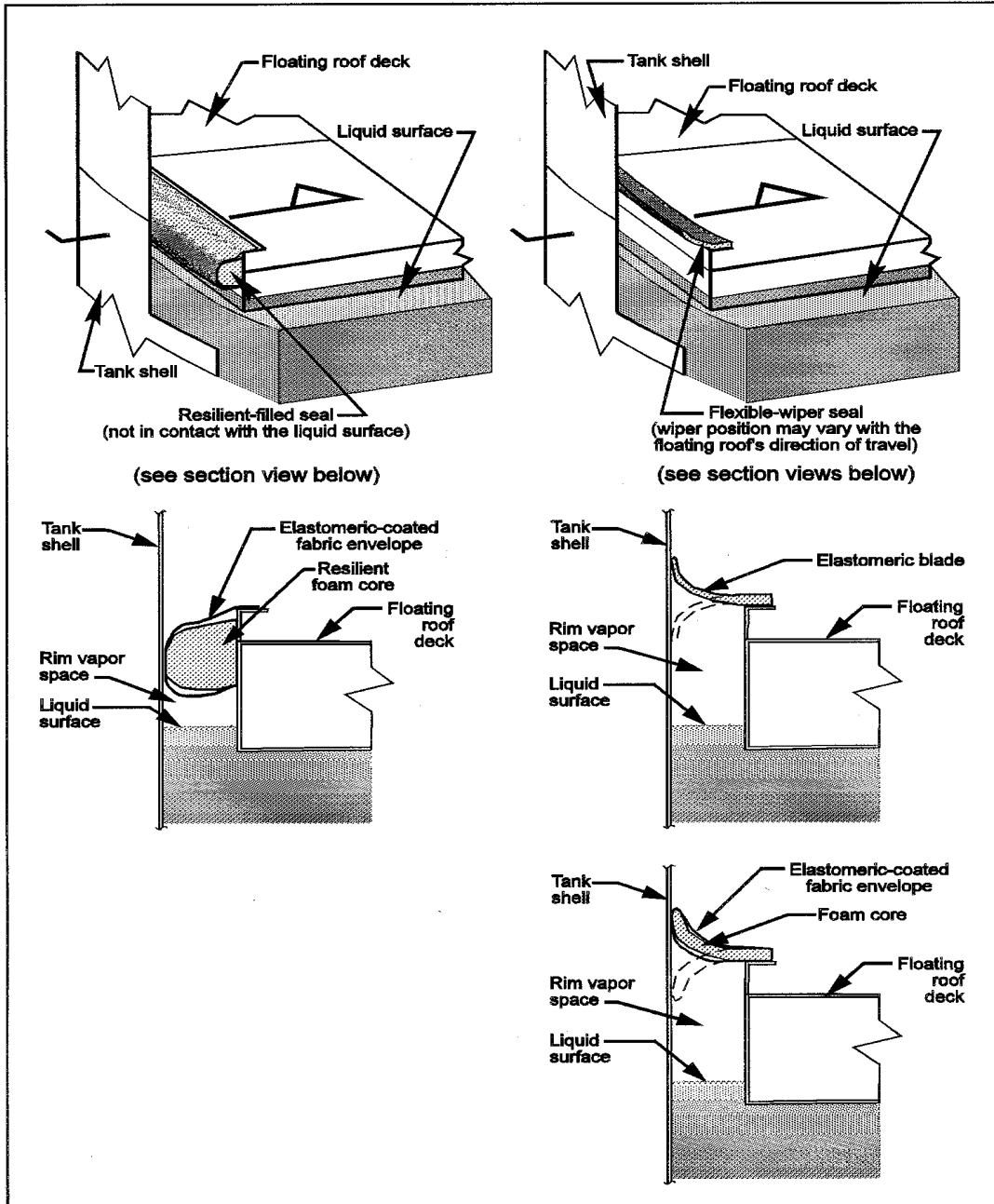


Figure 7.1-6. Vapor-mounted primary seals²⁰

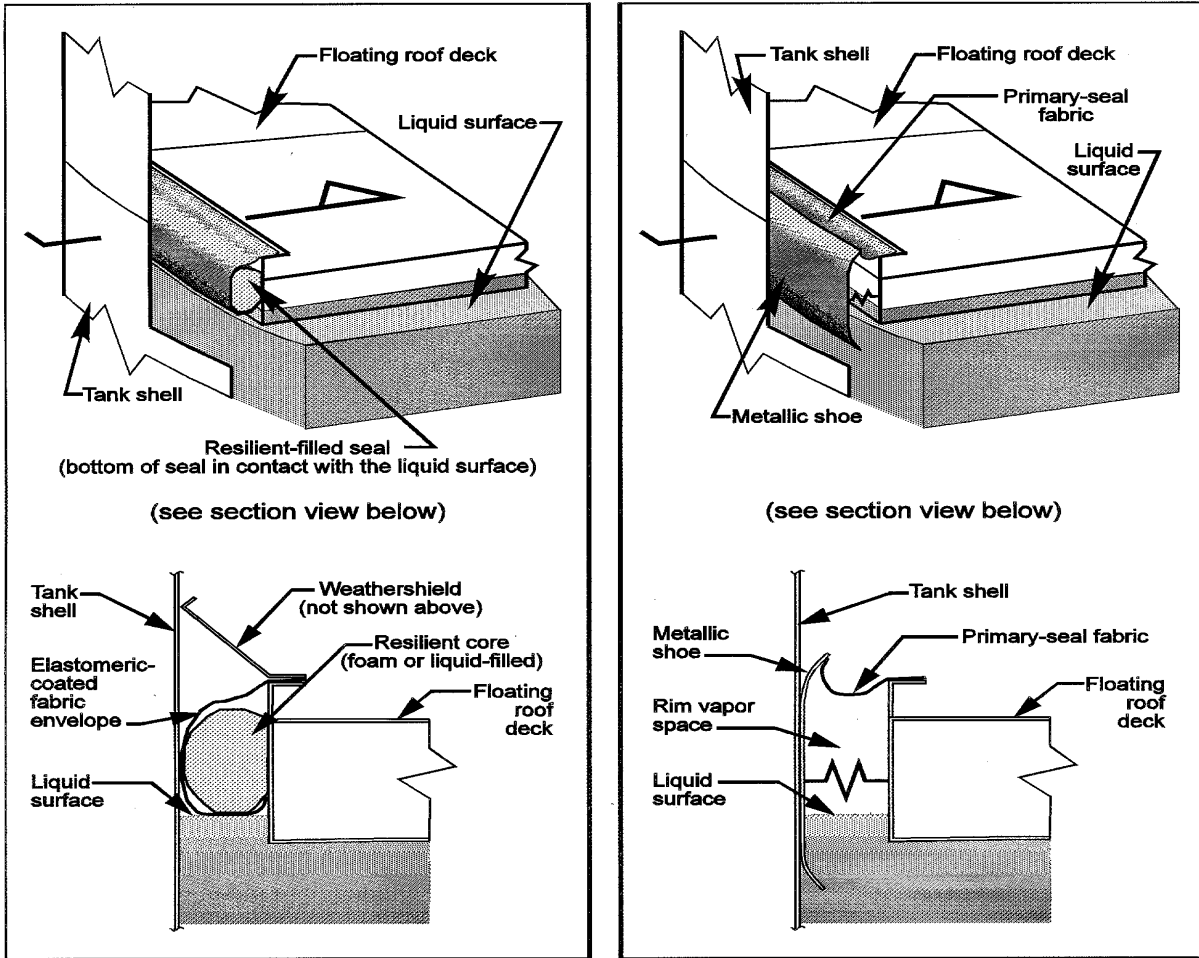


Figure 7.1-7. Liquid-mounted and mechanical shoe primary seals.²⁰

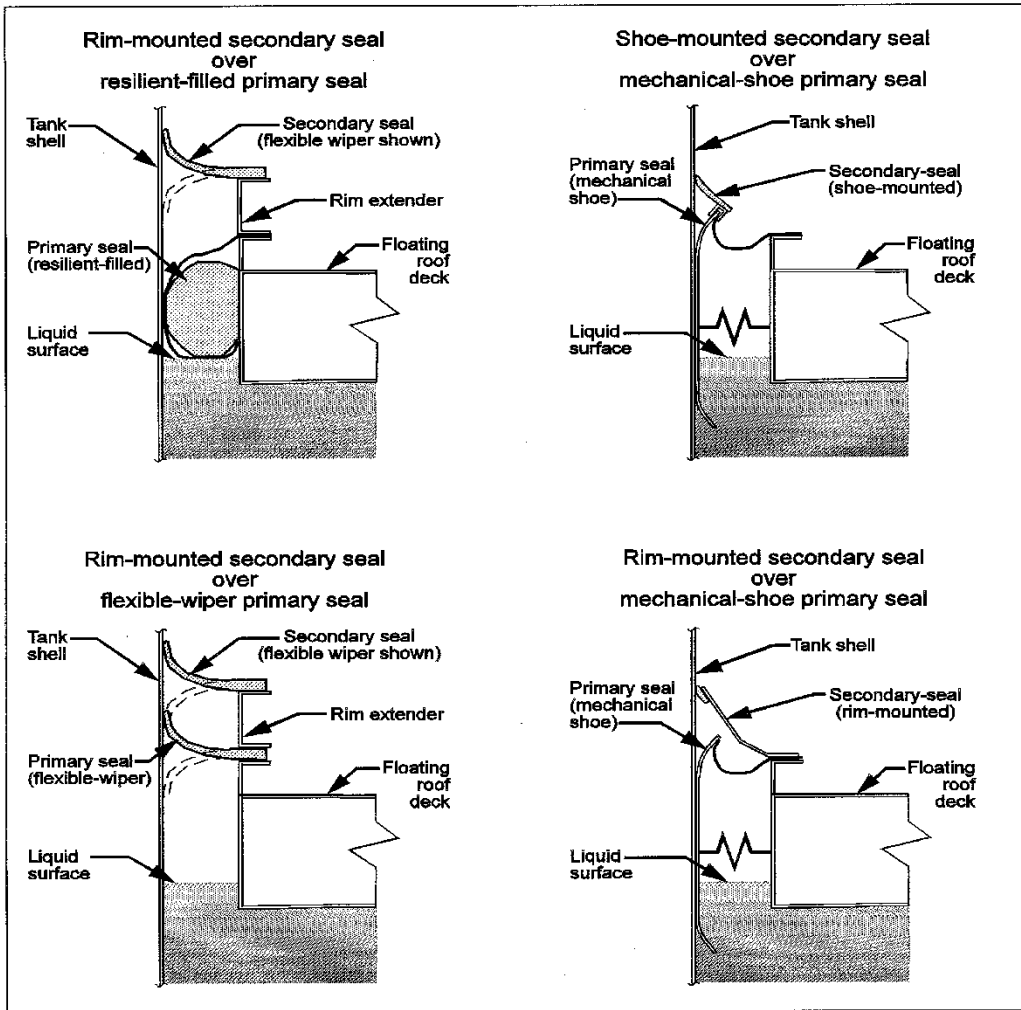
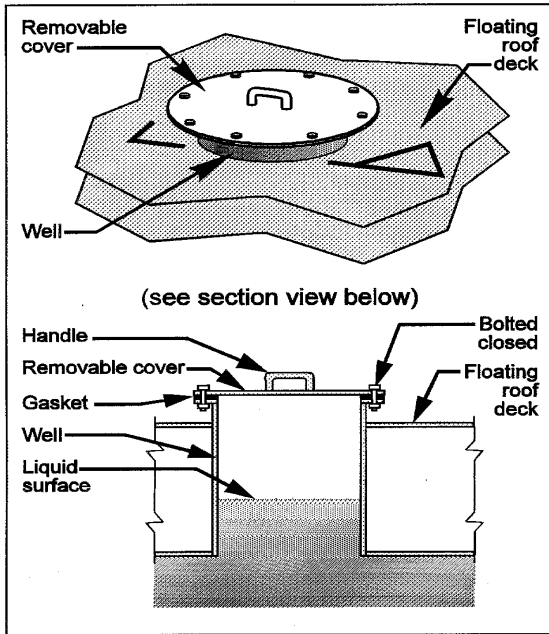
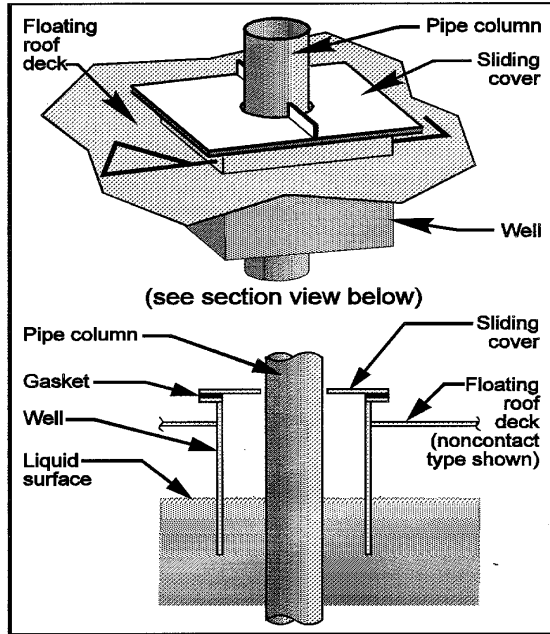


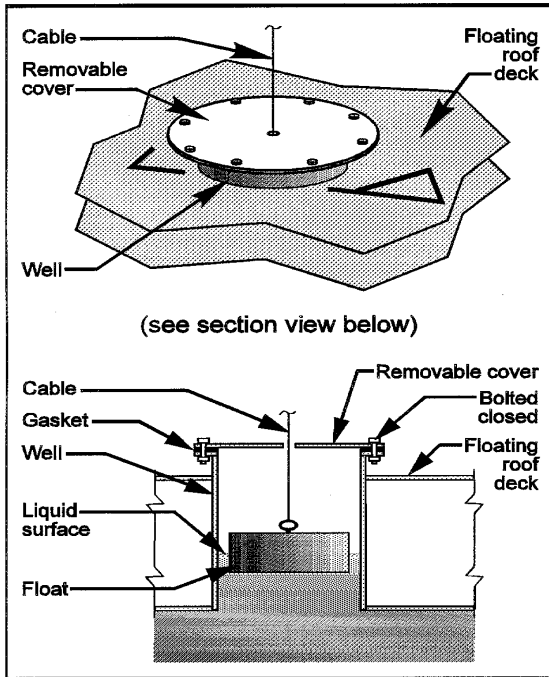
Figure 7.1-8. Secondary rim seals.²⁰



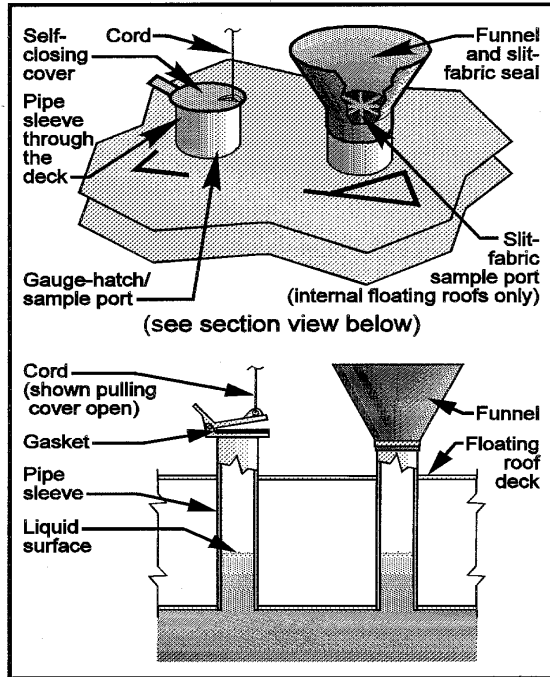
Access Hatch



Fixed-Roof Support Column



Gauge float



Sample Ports

Figure 7.1-9. Deck fittings for floating roof tanks.²⁰

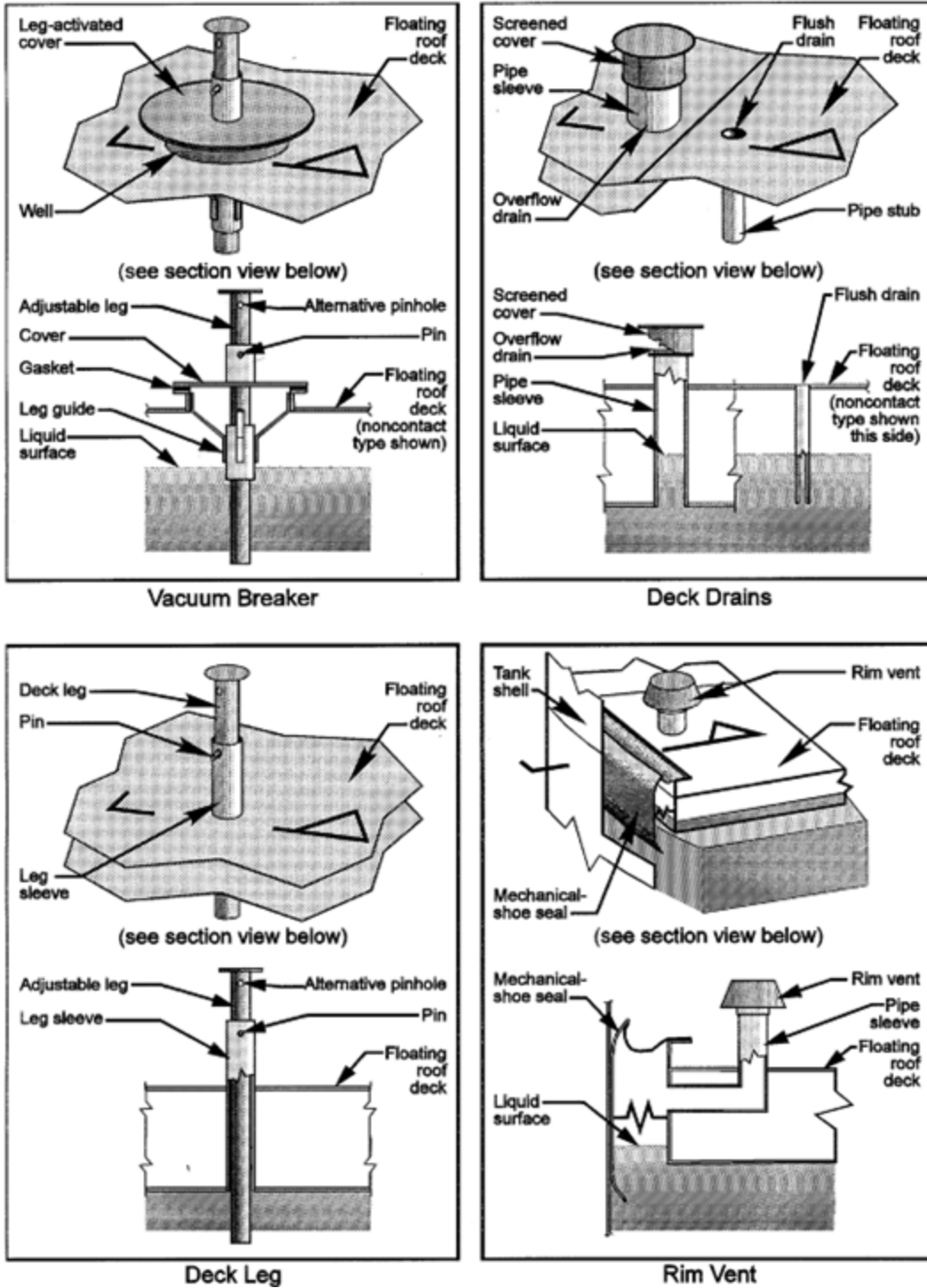
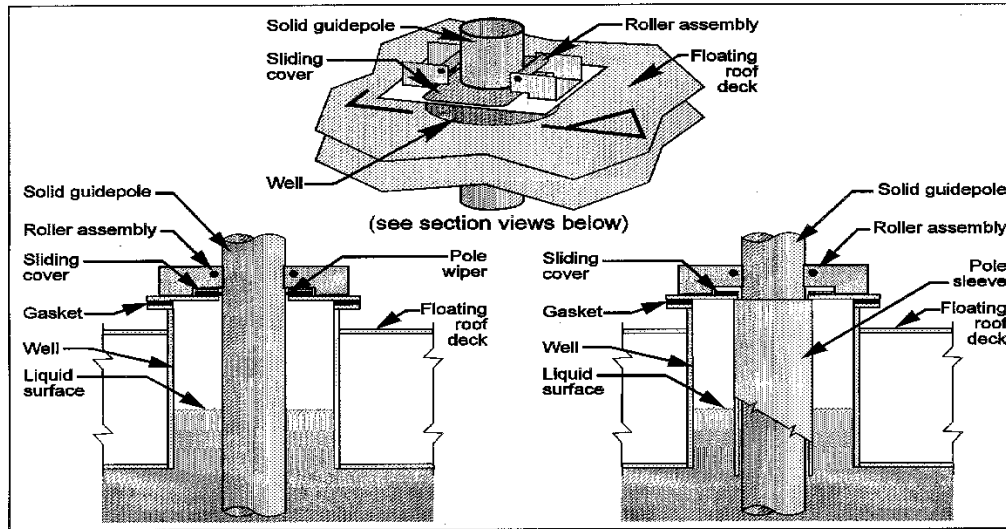
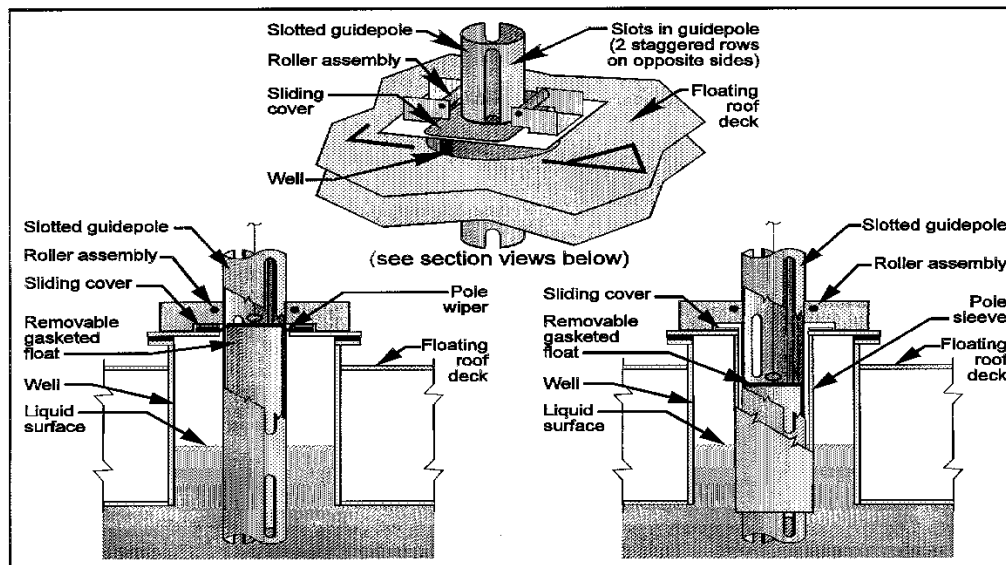


Figure 7.1-10. Deck fittings for floating roof tanks.²⁰



Unslotted (solid) Guidepole



Slotted (perforated) Guidepole

Figure 7.1-11. Slotted and unslotted guidepoles.²⁰

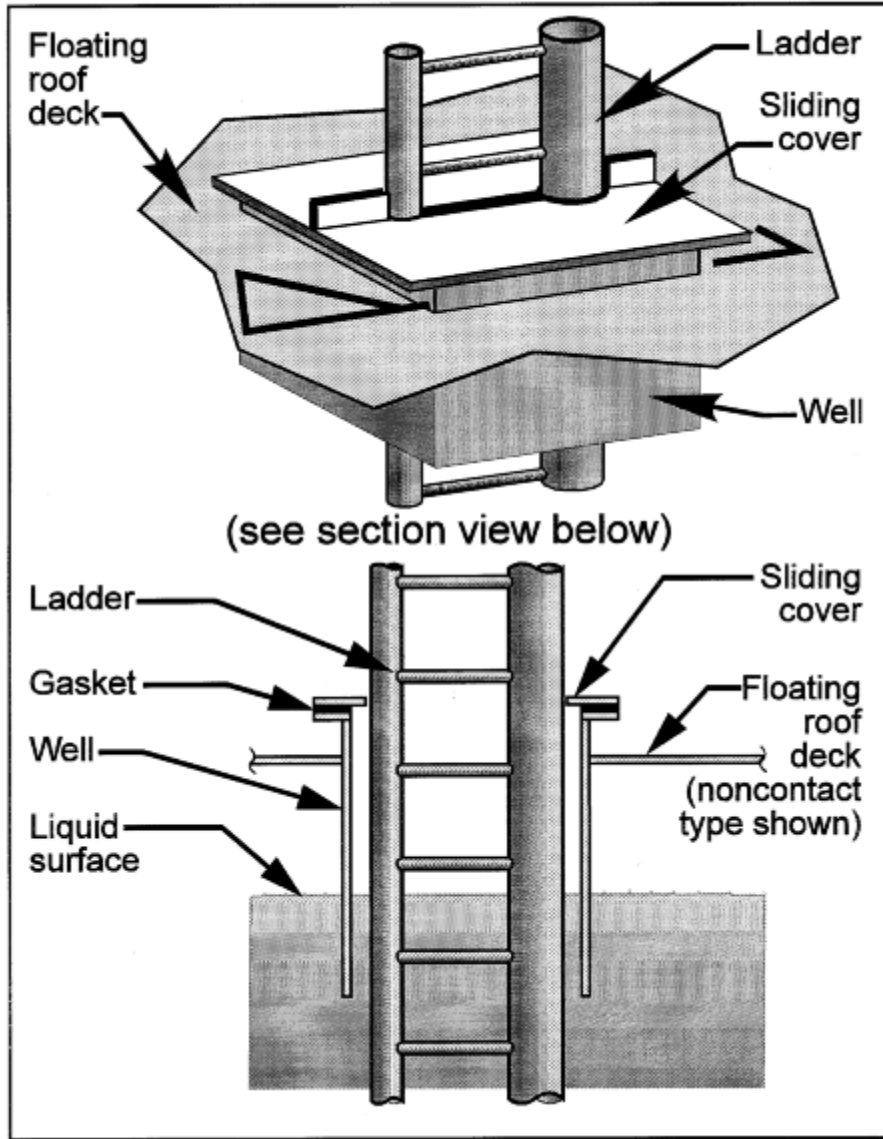


Figure 7.1-12. Ladder well.²⁰

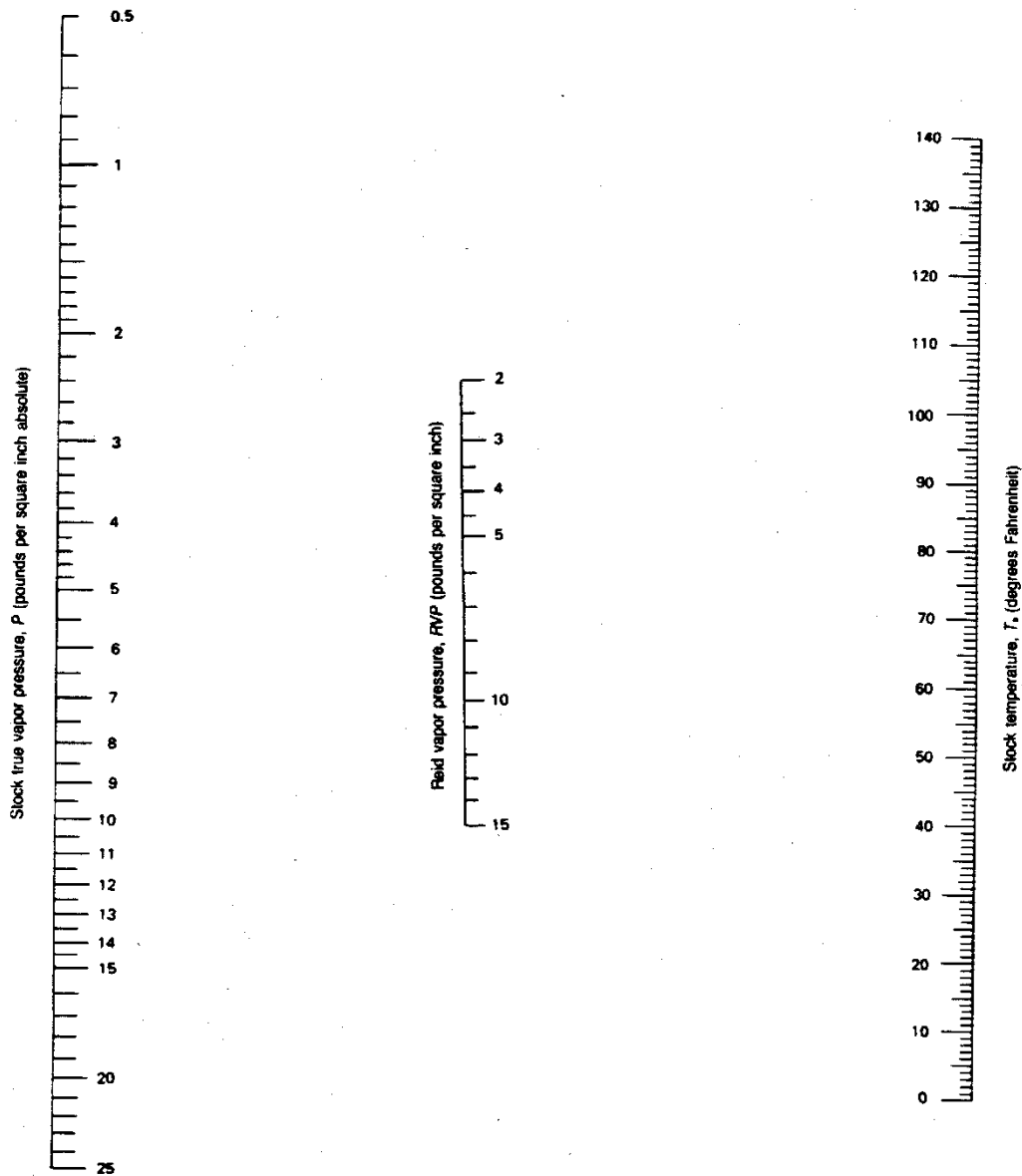


Figure 7.1-13a. True vapor pressure of crude oils with a Reid vapor pressure of 2 to 15 pounds per square inch.⁴

Note 1. The “stock temperature, T ” in Figure 7.1-13a shall be taken as the liquid surface temperature, T_{LA} .

Note 2. The nomograph in Figure 7.1-13a and the correlation equation in Figure 7.1-13b for predicting the true vapor pressure of crude oil from the Reid vapor pressure are known to have an upward bias.

When the true vapor pressure of a crude oil is greater than 3.6 psia, it may be determined more accurately by means of direct measurement using ASTM D 6377. A curve of true vapor pressure versus temperature may be obtained by conducting ASTM D 6377 measurements over a range of temperatures.

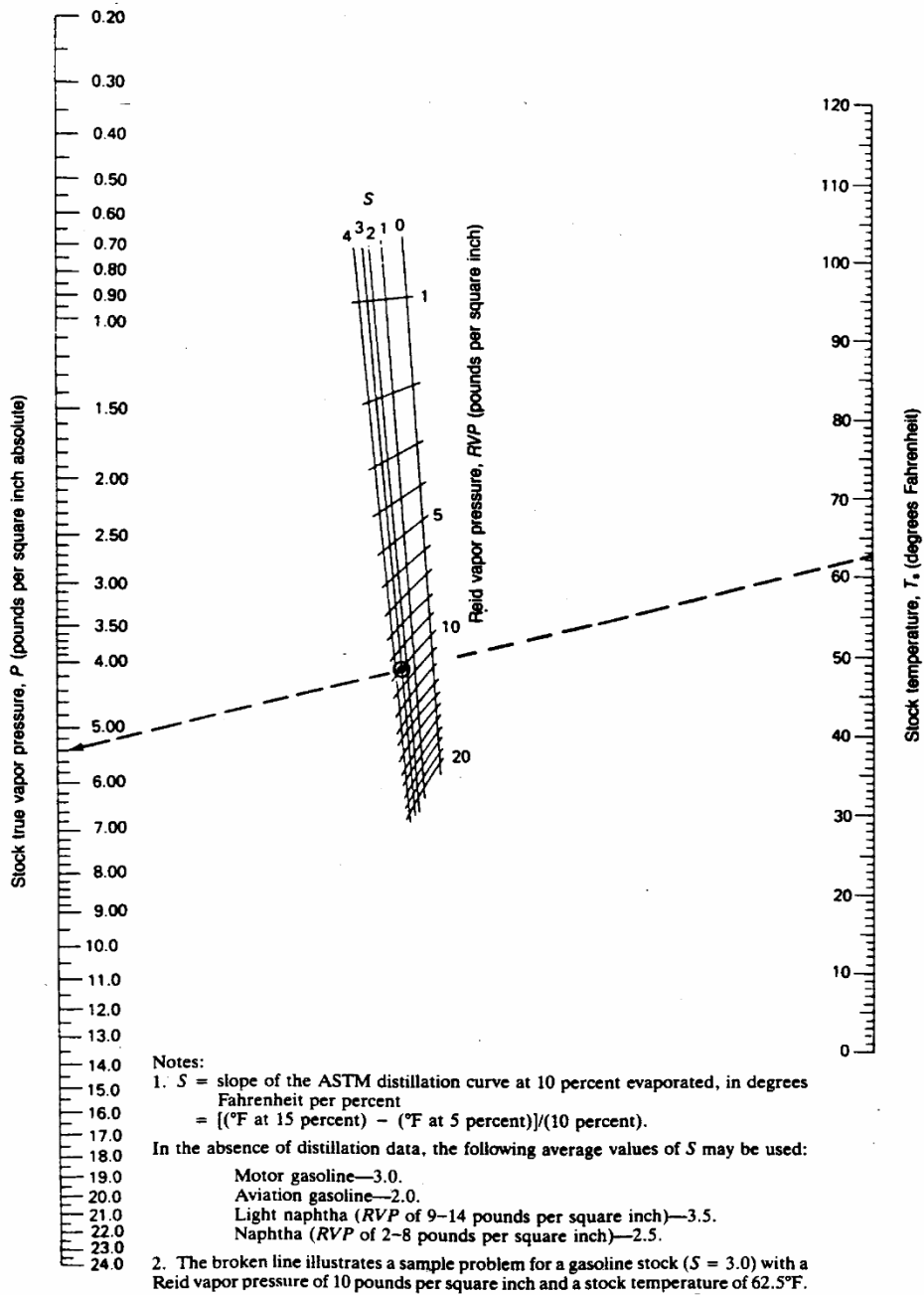


Figure 7.1-14a. True vapor pressure of refined petroleum stocks with a Reid vapor pressure of 1 to 20 pounds per square inch.⁴

Note 1. The “stock temperature, T” in Figure 7.1-14a shall be taken as the liquid surface temperature, T_{LA} .

Note 2. True vapor pressure of refined petroleum stocks that are below the range of the Reid vapor pressure method may be measured directly using ASTM D 2879. A curve of true vapor pressure versus temperature may be obtained by conducting ASTM D 2879 measurements over a range of temperatures. Caution should be exercised when considering ASTM D 2879 for determining the true vapor pressure of certain types of mixtures. See the cautions in Note 2 to Equation 1-22 with respect to ASTM D 2879.

$$P = \exp \left\{ \left[\left(\frac{2,799}{T + 459.6} \right) - 2.227 \right] \log_{10}(\text{RVP}) - \left(\frac{7,261}{T + 459.6} \right) + 12.82 \right\}$$

Where:

- P = stock true vapor pressure, in pounds per square inch absolute.
- T = stock temperature, in degrees Fahrenheit.
- RVP = Reid vapor pressure, in pounds per square inch.

Note: This equation was derived from a regression analysis of points read off Figure 7.1-13a over the full range of Reid vapor pressures, slopes of the ASTM distillation curve at 10 percent evaporated, and stock temperatures. In general, the equation yields *P* values that are within +0.05 pound per square inch absolute of the values obtained directly from the nomograph.

Figure 7.1-13b. Equation for true vapor pressure of crude oils with a Reid vapor pressure of 2 to 15 pounds per square inch.⁴ See note at Figure 7.1-13a.

$$P = \exp \left\{ \left[0.7553 - \left(\frac{413.0}{T + 459.6} \right) \right] S^{0.5} \log_{10}(\text{RVP}) - \left[1.854 - \left(\frac{1,042}{T + 459.6} \right) \right] S^{0.5} + \left[\left(\frac{2,416}{T + 459.6} \right) - 2.013 \right] \log_{10}(\text{RVP}) - \left(\frac{8,742}{T + 459.6} \right) + 15.64 \right\}$$

Where:

- P = stock true vapor pressure, in pounds per square inch absolute.
- T = stock temperature, in degrees Fahrenheit.
- RVP = Reid vapor pressure, in pounds per square inch.
- S = slope of the ASTM distillation curve at 10 percent evaporated, in degrees Fahrenheit per percent.

Note: This equation was derived from a regression analysis of points read off Figure 7.1-14a over the full range of Reid vapor pressures, slopes of the ASTM distillation curve at 10 percent evaporated, and stock temperatures. In general, the equation yields *P* values that are within +0.05 pound per square inch absolute of the values obtained directly from the nomograph.

Figure 7.1-14b. Equation for true vapor pressure of refined petroleum stocks with a Reid vapor pressure of 1 to 20 pounds per square inch.⁴ See note at Figure 7.1-14a.

$$A = 15.64 - 1.854 S^{0.5} - (0.8742 - 0.3280 S^{0.5}) \ln(\text{RVP})$$

$$B = 8,742 - 1,042 S^{0.5} - (1,049 - 179.4 S^{0.5}) \ln(\text{RVP})$$

where:

- RVP = stock Reid vapor pressure, in pounds per square inch
- ln = natural logarithm function
- S = stock ASTM-D86 distillation slope at 10 volume percent evaporation (°F/vol %)

Figure 7.1-15. Equations to determine vapor pressure constants A and B for refined petroleum stocks.²²

$$A = 12.82 - 0.9672 \ln(\text{RVP})$$

$$B = 7,261 - 1,216 \ln(\text{RVP})$$

where:

RVP = Reid vapor pressure, psi
ln = natural logarithm function

Figure 7.1-16. Equations to determine vapor pressure Constants A and B for crude oil stocks.²²

Average Daily Maximum and Minimum Liquid Surface Temperature, (°R)

$$T_{LX} = T_{LA} + 0.25 \Delta T_V$$

$$T_{LN} = T_{LA} - 0.25 \Delta T_V$$

where:

T_{LX} = average daily maximum liquid surface temperature, °R

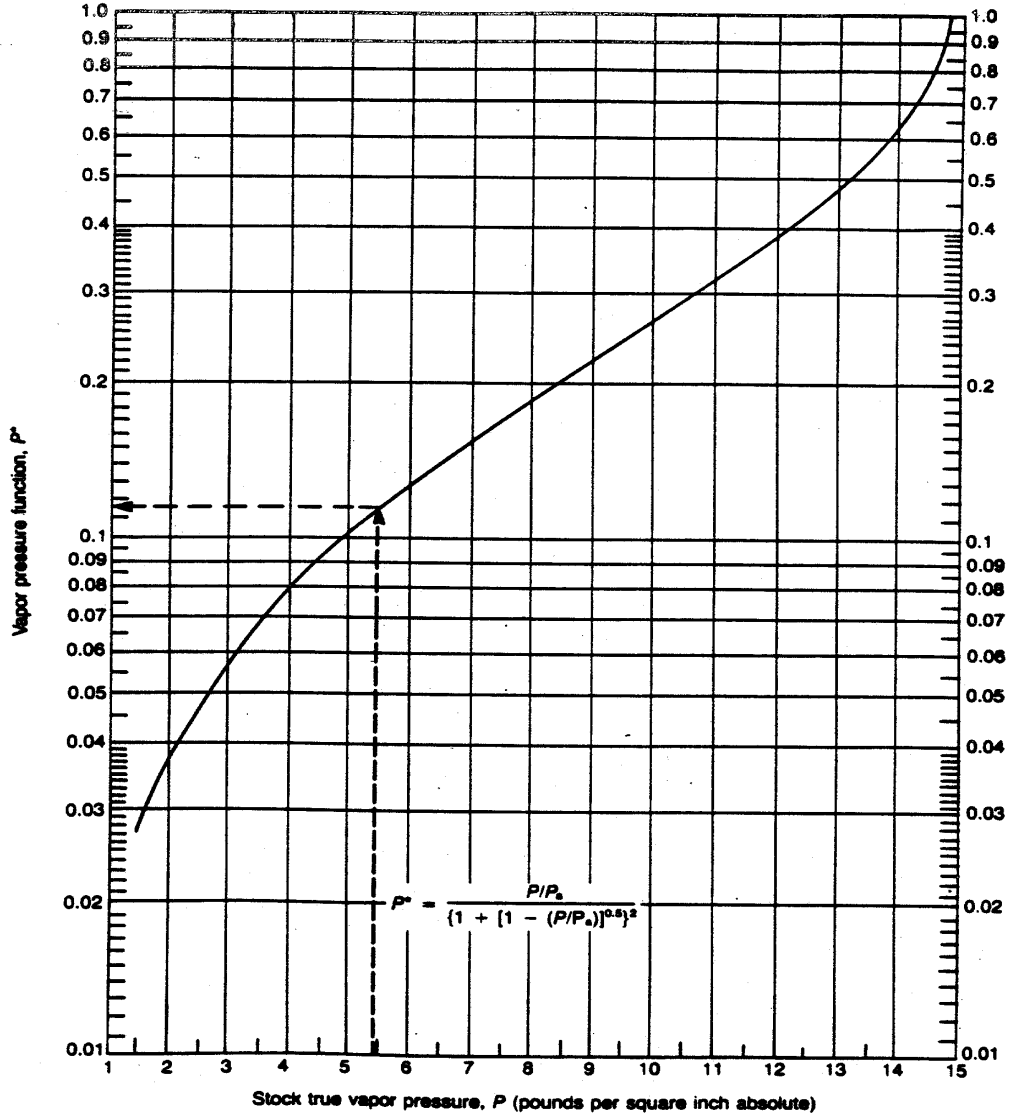
T_{LA} is as defined in Note 3 to Equation 1-22

ΔT_V is as defined in Note 1 to Equation 1-5

T_{LN} = average daily minimum liquid surface temperature, °R

Figure 7.1-17. Equations for the average daily maximum and minimum liquid surface temperatures.⁸

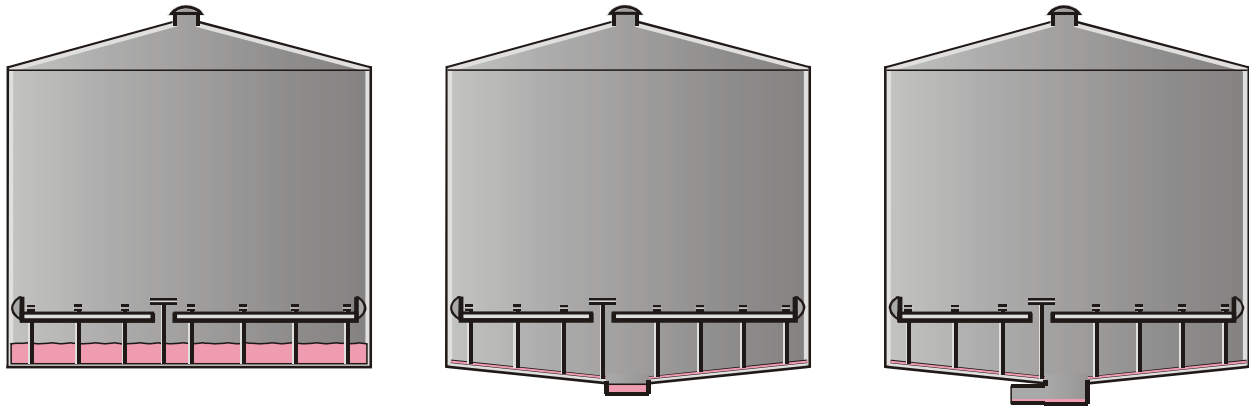
Figure 7.1-18. Reserved.



Notes:

1. Broken line illustrates sample problem for $P = 5.4$ pounds per square inch absolute.
2. Curve is for atmospheric pressure, P_a , equal to 14.7 pounds per square inch absolute.

Figure 7.1-19. Vapor pressure function.⁴



<u>Full Liquid Heel</u> (standing liquid across the entire bottom)	<u>Partial Liquid Heel</u> (standing liquid only in or near a sump; clingage elsewhere)	<u>Drain Dry</u> (no standing liquid, only liquid is clingage)
--	---	--

Figure 7.1-20. Bottom conditions for landing loss.²⁰

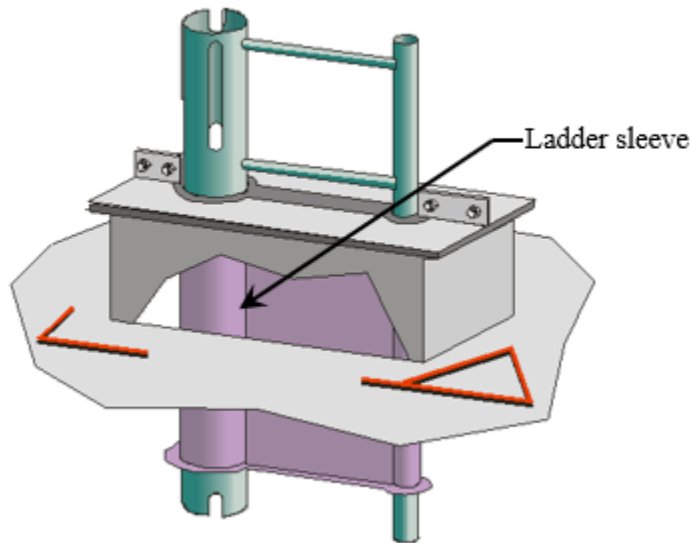


Figure 7.1-21. Ladder-slotted guidepole combination with ladder sleeve.²⁰

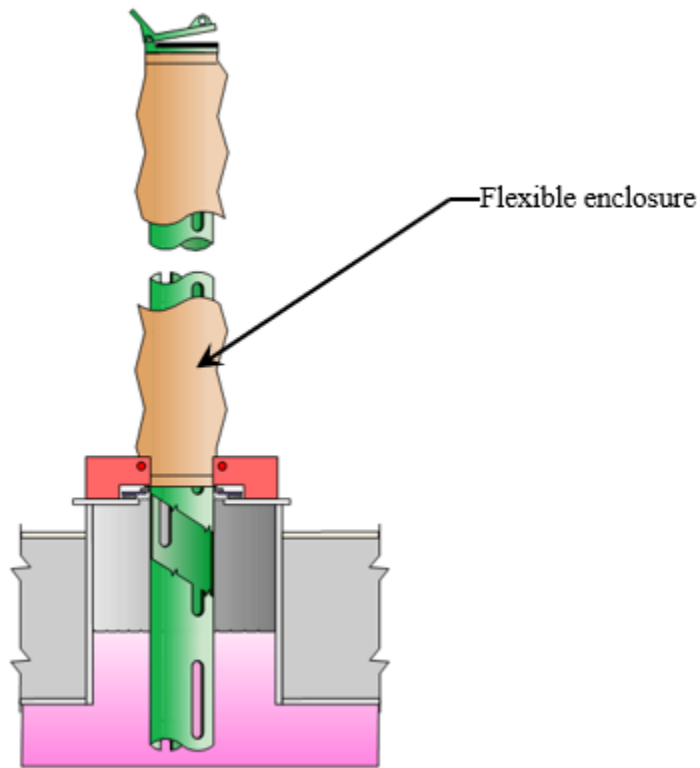


Figure 7.1-22. Slotted-guidepole with flexible enclosure.²⁰

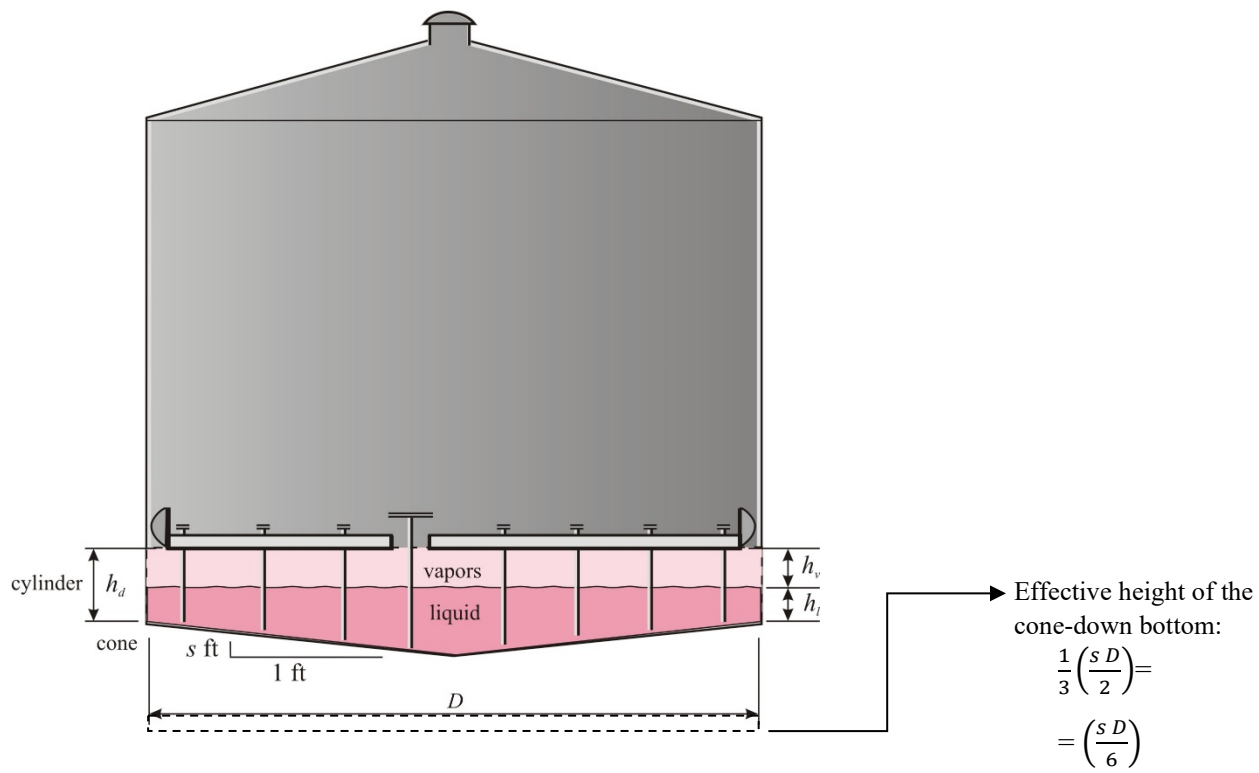


Figure 7.1-23. Height of the liquid heel and vapor space under a landed floating roof.²⁰
 This figure illustrates variables used in Table 7.1-4.

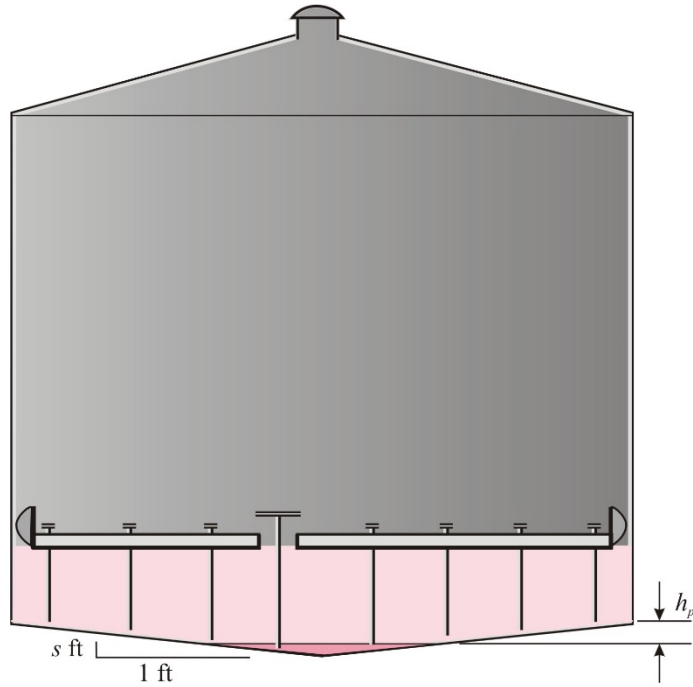


Figure 7.1-24. Depth of a partial heel in a cone down bottom.²⁰
This figure illustrates a variable used in Table 7.1-4.

Table 7.1-1. LIST OF ABBREVIATIONS USED IN THE TANK EQUATIONS

Variable	Description	Variable	Description	Variable	Description
α	tank surface solar absorptance, dimensionless	H _{VO}	vapor space outage, ft	L _P	vapor space purge emissions due to first air change from forced ventilation, lb/cleaning event
π	constant, (3.14159)	i	1,2,...,n, dimensionless	L _R	rim seal loss, lb/yr
A	constant in vapor pressure equation, dimensionless	I	average daily total insolation factor, Btu/ft ² •d	L _R L	rim seal loss during roof landing, lb/landing event
A _{deck}	area of deck, ft ²	K _C	product factor for floating roof tanks, dimensionless	L _S	standing losses, lb/yr
A _{fi}	liquid surface area within a particular type of deck fitting, in ²	K _D	deck seam loss per unit seam length factor, lb-mole/ft-yr	L _{seam}	total length of deck seam, ft
B	constant in vapor pressure equation, °R or °C	K _E	vapor space expansion factor, per day	L _{SL}	standing loss during roof landing, lb/landing event
C	constant in vapor pressure equation, °R or °C	K _{Fai}	zero wind speed loss factor for a particular type of deck fitting, lb-mole/yr	L _T	total routine losses, lb/yr
C _S	shell clingage factor, bbl/1,000 ft ²	K _{Fbi}	wind speed dependent loss factor for a particular type of deck fitting, lb-mole/(mph) ^m yr	L _{T_i}	emission rate of component i, lb/yr
C _{sf}	filling saturation correction factor for wind, dimensionless	K _{F_i}	loss factor for a particular type of deck fitting, lb-mole/yr	L _{TL}	total loss during roof landing, lb/landing event
C _V	average vapor concentration by volume during continued forced ventilation, dimensionless	K _N	turnover factor, dimensionless	L _V	variable vapor space filling loss, lb/1,000 gal throughput
D	tank diameter, ft	K _P	working loss product factor for fixed roof tanks, dimensionless	L _W	working losses, lb/yr
D _E	effective tank diameter, ft	K _{Ra}	zero wind speed rim seal loss factor, lb-mole/ft•yr	M _{CG}	molecular weight of calibration gas, lb/lb-mole
d _s	average depth of sludge, in.	K _{Rb}	wind speed dependent rim seal loss factor, lb-mole/(mph) ^m ft•yr	m _i	loss factor for a particular type of deck fitting, dimensionless
F _C	effective column diameter, ft	K _S	vented vapor saturation factor, dimensionless	M _i	molecular weight of component i, lb/lb-mole
F _E	fraction of sludge with potential to evaporate, dimensionless	K _v	fitting wind speed correction factor, dimensionless	M _L	molecular weight of liquid mixture, lb/lb-mole
F _F	total deck fitting loss factor, lb-mole/yr	L	length of tank, ft	M _V	vapor molecular weight, lb/lb-mole
h _d	deck leg height at the tank shell, ft	L _C	clingage factor for drain dry tanks, lb	N	number of turnovers per year, dimensionless
h _{lc}	effective liquid height during roof landing, ft	L _{CV}	continued forced ventilation emissions, lb/cleaning event	n	seal-related wind speed exponent, dimensionless
H _{LN}	minimum liquid height, ft	L _D	deck seam loss, lb/yr	n _d	number of days standing idle during roof landing or prior to forced ventilation, days
H _{LX}	maximum liquid height, ft	L _F	deck fitting loss, lb/yr	N ₂	number of transfers into system, dimensionless
ΣH _{QD}	the annual sum of the decreases in liquid level, ft/yr	L _{FV}	total tank cleaning emissions due to forced ventilation, lb/cleaning event	N _C	number of columns, dimensionless
ΣH _{QI}	the annual sum of the increases in liquid level, ft/yr	L _{FL}	filling loss during roof landing, lb/landing event	n _{CV}	duration of continued forced ventilation, days
H _R	tank roof height, ft			N _d	number of drains
H _{RO}	roof outage, ft			n _f	total number of different types of fittings, dimensionless
H _S	tank shell height, ft				
h _v	vapor space height under landed floating roof, ft				

06/2020

Liquid Storage Tanks

7.1-900

Table 7.1-1 (cont.).

Variable	Description	Variable	Description
N_{Fa_i}	zero wind speed loss factor for a particular type of deck fitting, lb-mole/yr	T_B	liquid bulk temperature, °R
N_{Fb_i}	wind speed dependent loss factor for a particular type of fitting, lb-mole/ mph ^m •yr	T_{BN}	typical minimum liquid bulk temperature in heating cycles, °R
N_{F_i}	number of deck fittings of a particular type, dimensionless	T_{BX}	typical maximum liquid bulk temperature in heating cycles, °R
N_l	number of deck legs	T_{LA}	average daily liquid surface temperature, °R
N_{TOTAL}	total number of moles in mixture, lb-mole	T_V	average vapor temperature, °R
N_{vb}	number of vacuum breakers	t_v	daily period of forced ventilation during tank cleaning, hr/day
P	true vapor pressure of component i, psia	ΔT_V	average daily vapor temperature range, °R
P^*	vapor pressure function, dimensionless	v	average wind speed, mph
P_A	atmospheric pressure, psi	V_1	volume of liquid pumped into system, bbl/yr
ΔP_B	breather vent pressure setting range, psig	V_2	volume expansion capacity, bbl
P_{BP}	breather vent pressure setting, psig	V_Q	net working loss throughput, ft ³ /yr
P_{BV}	breather vent vacuum setting, psig	V_{LX}	tank maximum liquid volume, ft ³
P_i	gauge pressure within the vapor space, psig	V_V	vapor space volume, ft ³
P_i	partial pressure of component i, psia	W_i	liquid density of component i, lb/ft ³
ΔP_V	average daily vapor pressure range, psi	W_L	average organic liquid density, lb/gal
P_{VA}	vapor pressure at average daily liquid surface temperature, psia	W_V	vapor density, lb/ft ³
P_{VN}	vapor pressure at the average daily minimum liquid surface temperature, psia	x_i	liquid mole fraction of component i, lb-mole/lb-mole
P_{VX}	vapor pressure at the average daily maximum liquid surface temperature, psia	y_i	vapor mole fraction of component i, lb-mole/lb-mole
Q	annual net throughput, bbl/yr	Z_{L_i}	liquid weight fraction of component i, lb/lb
Q_V	average ventilation rate during tank cleaning, ft ³ /min	Z_{V_i}	vapor weight fraction of component i, lb/lb
R	ideal gas constant, (10.731 psia•ft ³ /lb-mole•°R)		
R_R	tank dome roof radius, ft		
R_S	tank shell radius, ft		
S	filling saturation factor, dimensionless		
s	tank cone bottom slope, ft/ft		
S_D	deck seam length factor, ft/ft ²		
S_R	tank cone roof slope, ft/ft		
ΔT_A	average daily ambient temperature range, °R		
T_{AA}	average daily ambient temperature, °R		
T_{AN}	average daily minimum ambient temperature, °R		
T_{AX}	average daily maximum ambient temperature, °R		

Table 7.1-2. PROPERTIES (M_V , M_L , P_{VA} , W_L) OF SELECTED PETROLEUM LIQUIDS^{a, c}

Petroleum Liquid Mixture	Vapor Molecular Weight ^a	Liquid Molecular Weight ^b	Liquid Density ^a	ASTM D86 Distillation Slope ^c	Vapor Pressure Equation Constant ^d	Vapor Pressure Equation Constant ^d	True Vapor Pressure (at 60 °F)
	M_V	M_L	W_L	S	A	B	P_{VA}
	lb/lb-mole	lb/lb-mole	lb/gal	°F/vol %	dimensionless	°R	psia
Midcontinent Crude Oil	50	207	7.1	–	Figure 7.1-16	Figure 7.1-16	–
Refined Petroleum Stocks	–	–	–	–	Figure 7.1-15	Figure 7.1-15	–
Motor Gasoline RVP 13	62	92	5.6	3.0	11.644	5043.6	7.0
Motor Gasoline RVP 10	66 ^e	92	5.6	3.0	11.724	5237.3	5.2
Motor Gasoline RVP 7	68	92	5.6	3.0	11.833	5500.6	3.5
Light Naphtha RVP 9-14	–	–	–	3.5	–	–	–
Naphtha RVP 2-8	–	–	–	2.5	–	–	–
Aviation Gasoline	–	–	–	2.0	–	–	–
Jet Naphtha (JP-4)	80	120	6.4	–	11.368	5784.3	1.3
Jet Kerosene (Jet A)	130	162	7.0	–	12.390	8933.0	0.008
No. 2 Fuel Oil (Diesel)	130	188	7.1	–	12.101	8907.0	0.006
No. 6 Fuel Oil ^f	130	387	7.9	–	10.781	8933.0	0.002
Vacuum Residual Oil ^g	190	387	7.9	–	10.104	10,475.5	0.00004

^a References 10 and 11

^b Liquid molecular weights from “Memorandum from Patrick B. Murphy, Radian/RTP to James F. Durham, EPA/CPB Concerning Petroleum Refinery Liquid HAP and Properties Data, August 10, 1993,” as adopted in versions 3.1 and 4.0 of EPA’s TANKS software.

^c Reference 4.

^d For motor gasolines, see Figure 7.1-15;

for crude oil, see Figure 7.1-16;

for Jet Naphtha, Jet Kerosene, and No. 2 Fuel Oil, see Barnett and Hibbard¹⁰;

for No. 6 Fuel Oil.²²

^e Alternatively, in the absence of measured data, a value of 66 lb/lb-mole may be assumed for all gasolines, in that the variability shown as a function of RVP is speculative.

^f This is for a blend of Vacuum Residual Oil with a light distillate cutter stock, or similar mixture. Vapor pressure constants given will result in higher vapor pressure values than shown previously in AP-42 for Residual Oil No. 6.

^g This is the straight residue from the bottom of the vacuum distillation column, prior to any further processing or blending. Properties given for Vacuum Residual Oil are those given for Residual Oil No. 6 previously in AP-42.

Table 7.1-3. PHYSICAL PROPERTIES OF SELECTED PETROCHEMICALS^a

Chemical Name	CAS Registry No.	Molecular Weight	Liquid Density ^d (lb/gal)	True Vapor Pressure at 60 °F (psia)	Antoine's Equation ^b					Normal Boiling Point (°F)
					Constants			Temperature Range ^c		
					A dimensionless	B (°C)	C (°C)	Minimum (°F)	Maximum (°F)	
Acetaldehyde	00075-07-0	44.05	6.54 ⁶⁴	12.19	8.063	1,637.1	295.47	32	94	69
Acetic acid	00064-19-7	60.05	8.72 ⁷⁷	0.176	7.557	1,642.5	233.39	63	244	244
Acetic anhydride {acetic acid anhydride}	00108-24-7	102.09	9.03	0.053	7.122	1,427.8	198.04	145	283	282
Acetone	00067-64-1	58.08	6.55 ⁷⁷	2.921	7.300	1,312.3	240.71	7	454	133
Acetonitrile	00075-05-8	41.05	6.56	1.090	7.154	1,355.4	235.30	59	192	179
Acrylamide	00079-06-1	71.08	9.36	8.57E-05	11.293	3,939.9	273.16			379
Acrylic acid {2-propenoic acid}	00079-10-7	72.06	8.77	1.344	5.652	648.6	154.68	68	158	282
Acrylonitrile {2-propenenitrile}	00107-13-1	53.06	6.73	1.383	6.942	1,255.9	231.30	-60	172	172
Allyl alcohol	00107-18-6	58.08	7.13	0.326	11.658	4,510.2	416.80	70	207	206
Allyl chloride {3-chloro-1-propene}	00107-05-1	76.52	7.83	4.702	5.297	418.4	128.68	55	111	113
Aniline	00062-53-3	93.13	8.53	0.0058	7.221	1,661.9	199.10	88	363	363
Benzene	00071-43-2	78.11	7.32	1.171	6.906	1,211.0	220.79	46	217	176
Benz[a]anthracene	00056-55-3	228.29		7.92E-10	11.528	5,461	273.15	219	260	820
Benzo[a]pyrene	00050-32-8	252.31		2.29E-11	12.482	6,181	273.15	185	316	923
Benzo[ghi]perylene	00191-24-2	276.33		2.07E-13	11.820	6,580	273.15	391	513	
Biphenyl	00092-52-4	154.21	8.68	2.37E-04	7.245	1,998.7	202.73	156	520	489
Butadiene (1,3) {divinyl}	00106-99-0	54.09	5.13 ⁷⁷	30.22	6.873	941.7	240.40	-104	29	24
Butane (n)	00106-97-8	58.12	4.78 ⁷⁷	25.67	6.725	909.7	237.00	-108	31	32
Butene (1)	00106-98-9	56.11	4.91 ⁷⁷	30.83	7.122	1,099.2	264.89	-108	25	21
Butene (cis-2)	00590-18-1	56.11	5.14 ⁷⁷	22.62	6.863	957.1	236.65	-94	73	39
Butene (2-methyl-1)	00563-46-2	70.13	5.43	8.257	6.862	1,047.8	232.06	34	145	88
Butene (trans-2)	00624-64-6	56.11	5.00 ⁷⁷	24.97	6.919	982.2	242.38	-97	34	34
Butyl alcohol (n) {butanol (1)}	00071-36-3	74.12	6.76	0.062	7.421	1,351.6	179.81	73	244	243
Butyl alcohol (tert) {1,1-dimethyl ethanol}	00075-65-0	74.12	6.58	0.424	7.373	1,174.9	179.23	103	180	180
Butyl chloride (-n) {1-chloro-butane}	00109-69-3	92.57	7.40	1.255	6.871	1,182.9	218.27	2	173	170

Butyl ether (di-tert)	06163-66-2	130.23	6.39	0.381	6.590	1,157.7	203.05	39	228	224
Carbon disulfide	00075-15-0	76.14	10.54	4.817	6.942	1,168.6	241.53	38	176	115
Carbon tetrachloride	00056-23-5	153.82	13.31	1.431	6.898	1,221.8	227.41	68	172	170
Chlorobenzene	00108-90-7	112.56	9.23	0.134	6.986	1,435.7	218.03	144	269	269
Chlorobutane (2)	00078-86-4	92.57	7.27	1.255	6.871	1,182.9	218.27	2	173	170
Chloroform	00067-66-3	119.38	12.38	2.468	7.083	1,233.1	232.20	-73	142	142
Chloroprene {2-chloro-1,3-butadiene}	00126-99-8	88.54	7.98	2.736	6.291	841.9	187.79	68	140	140
Chlorotoluene (o) {1-chloro-2methylbenzene}	00095-49-8	126.58	9.04	0.039	7.363	1,768.1	234.76	42	319	318
Chrysene {benzo[a]phenanthrene}	00218-01-9	228.29	10.63	1.86E-11	12.320	6,160	273.15	185	374	838
Cresol (m) {3-methyl-phenol}	00108-39-4	108.14	8.63	0.0013	7.477	1,833.1	196.74	301	394	396
Cresol (o) {2-methyl-phenol}	00095-48-7	108.14	9.47 ⁷⁷	0.0016	6.843	1,391.3	160.18	248	376	376
Cresol (p) {4-methyl-phenol}	00106-44-5	108.14	8.50 ¹⁰⁴	0.00062	7.016	1,498.6	160.55	262	395	395
Cyclohexane	00110-82-7	84.16	6.46 ⁷⁷	1.212	6.845	1,203.5	222.86	68	179	177
Cyclohexanol	00108-93-0	100.16	8.03	0.00090	5.956	777.4	91.11	201	321	320
Cyclohexanone	00108-94-1	98.14	7.91	0.0042	5.978	1,495.5	209.55	193	330	311
Cyclohexene	00110-83-8	82.14	6.77	0.110	5.872	1,221.9	223.17	98	196	181
Cyclopentane	00287-92-3	70.13	6.22	4.171	6.878	1,119.2	230.74	60	122	121
Cyclopentanone	00120-92-3	84.12	7.92	0.130	3.958	376.4	104.65	32	78	266
Cyclopentene	00142-29-0	68.12	6.44	3.264	6.921	1,121.8	223.45			111
Decane (-n)	00124-18-5	142.28	6.09	0.011	3.085	440.6	116.25	-21	99	345
Dibromopropane (1,2)	00078-75-1	201.89	16.13	0.088	7.314	1,667.0	234.85	19	287	286
Dibromopropane (1,3)	00109-64-8	201.89	16.55	0.029	7.309	1,776.7	233.46	49	333	314
Dichloroethane (1,1)	00075-34-3	98.96	9.81	2.863	7.097	1,229.2	233.95	-77	135	135
Dichloroethane (1,2)	00107-06-2	98.96	10.40 ⁷⁷	0.961	7.460	1,521.8	248.48	-23	211	182
Dichloroethylene (1,2) {1,2 dichloroethene}	00540-59-0	96.94	10.76	2.579	7.022	1,205.4	230.60	32	183	141
Dichloroethylene (trans-1,2)	00156-60-5	96.94	10.49	4.333	6.965	1,141.9	231.90	-36	185	118
Dichlorotoluene (3,4)	00095-75-0	161.03	10.49	0.0029	7.344	1,882.5	215.00	32	221	408
Diethoxyethane (1,1)	00105-57-7	118.17	6.89	0.307	7.625	1,574.0	229.47	-10	216	212
Diethoxymethane	00462-95-3	104.15	6.94	0.810	6.986	1,270.2	221.26	32	167	191
Diethyl (n,n) aniline {N,N-diethylbenzenamine}	00091-66-7	149.23	7.77	0.0031	8.258	2,652.8	277.32	122	425	422
Diethyl ketone										

{3-pentanone}	00096-22-0	86.13	6.76 ⁷⁷	0.423	5.741	716.2	147.17	97	215	215
Diethyl sulfide	00352-93-2	90.19	6.98	0.749	7.541	1,560.5	246.59	-39	190	197
Diethylamine {N-ethyl ethanamine}	00109-89-7	73.14	5.89	2.712	5.737	559.1	140.18	89	141	132
Diethylbenzene (1,2)	00135-01-3	134.22	7.34	0.0094	6.990	1,577.9	200.55	206	364	361
Diethylbenzene (1,3)	00141-93-5	134.22	7.18	0.010	7.006	1,576.3	201.00	203	360	358
Diethylbenzene (1,4)	00105-05-5	134.22	7.20	0.010	7.001	1,589.3	202.02	206	365	363
Di-isopropyl ether	00108-20-3	102.17	6.04	1.877	6.842	1,135.0	218.23	74	153	155
Dimethoxyethane (1,2)	00110-71-4	90.12	7.25	0.966	6.713	1,260.5	235.83	-55	199	185
Dimethyl formamide (n,n)	00068-12-2	73.09	7.88 ⁷⁷	0.040	6.806	1,337.7	190.50	86	194	307
Dimethyl hydrazine (1,1)	00057-14-7	60.10	6.60 ⁷²	1.896	7.588	1,388.5	232.54	-32	68	146
Dimethyl phthalate	00131-11-3	194.18	9.94	2.25E-08	4.522	700.3	51.42	180	304	540
Dimethylbutane (2,3)	00079-29-8	86.18	5.52	3.064	6.810	1,127.2	228.95	58	138	136
Dimethylcyclopentane (1,1)	01638-26-2	98.19	6.26 ⁷⁷	0.932	6.830	1,226.6	222.76	60	192	190
Dimethylpentane (2,2)	00590-35-2	100.20	5.63	1.315	6.815	1,190.3	223.34	60	176	174
Dimethylpentane (2,3)	00565-59-3	100.20	5.80	0.842	6.862	1,242.6	222.34	64	195	194
Dimethylpentane (2,4)	00108-08-7	100.20	5.62	1.221	6.836	1,197.6	222.27	57	178	177
Dimethylpentane (3,3)	00562-49-2	100.20	5.79	1.029	6.831	1,231.0	225.58	56	189	187
Dioxane (1,4)	00123-91-1	88.11	8.63	0.439	7.456	1,570.1	241.85	68	221	214
Dipropyl ether {di-n-propyl ether}	00111-43-3	102.17	6.23	0.754	6.945	1,254.8	218.82	80	192	194
Dodecane (n)	00112-40-3	170.33	6.25	0.00093	6.981	1,625.9	180.31	259	423	421
Epichlorohydrin {chloromethyl oxirane}	00106-89-8	92.52	9.85	0.194	8.229	2,086.8	273.16			241
Ethane	00074-84-0	30.07		472	6.813	659.7	256.431	-215	-100	-127
Ethanolamine (mono)	00141-43-5	61.08	8.50	0.002	7.168	1,408.9	157.06	150	340	339
Ethyl acetate	00141-78-6	88.11	7.51	1.135	7.103	1,245.7	217.96	60	168	171
Ethyl acrylate {ethyl ester 2-propenoic acid}	00140-88-5	100.12	7.71	0.445	7.150	1,366.1	220.47	-21	211	211
Ethyl alcohol {ethanol}	00064-17-5	46.07	6.59	0.648	8.247	1,670.4	232.96	32	173	173
Ethyl chloride	00075-00-3	64.51	7.43 ⁷⁷	16.63	7.037	1,052.8	241.07	-69	55	61
Ethyl ether {diethyl ether}	00060-29-7	74.12	5.96	6.675	6.897	1,062.6	228.22	-10	132	94
Ethylamine	00075-04-7	45.08	5.65 ⁷⁷	14.08	7.405	1,203.8	249.43	62	349	64
Ethylbenzene	00100-41-4	106.17	7.24	0.104	6.950	1,419.3	212.61	134	279	277
Ethylcyclopentane	01640-89-7	98.19	6.40	0.475	6.898	1,305.0	221.40	84	220	218
Ethylene										
{ethene}	00074-85-1	28.05	4.74 ¹⁵⁵	749	6.748	584.1	254.84	-191	-120	-155
Ethyleneoxide	00075-21-8	44.05	7.3650	17.84	8.722	2,022.8	335.81	32	89	53
Ethylpentane (3)	00617-78-7	100.20	5.83	0.701	6.880	1,254.1	220.15	70	202	200

Fluoranthene	00206-44-0	202.25	10.45	3.96E-08	12.836	5,348.1	273.15	77	230	723
Fluorobenzene	00462-06-6	96.10	8.53	0.936	7.237	1,409.8	238.36	0	183	185
Formic acid	00064-18-6	46.03	10.18	0.516	4.876	515.0	133.74	33	93	213
Freon 11										
{trichlorofluoromethane}	00075-69-4	137.37	12.48	10.93	6.884	1,043.0	236.88			75
Furan	00110-00-9	68.07	7.94	7.963	6.975	1,060.8	227.73	37	143	89
Furfural										
{2-furancarboxaldehyde}	00098-01-1	96.09	9.68	0.018	6.969	1,430.1	188.70	133	321	323
Heneicosane (n)	00629-94-7	296.57	6.61	6.23E-07	8.796	3,571.2	253.20	307	663	679
Heptane (n)	00142-82-5	100.20	5.71	0.541	6.903	1,268.6	216.95	79	211	209
Heptene (1)	00592-76-7	98.19	5.82	0.752	7.093	1,400.7	238.96	32	192	201
Hexadiene (1,5)	00592-42-7	82.14	5.74 ⁷⁷	2.890	6.563	1,008.1	214.16	32	138	140
Hexane (n)	00110-54-3	86.18	5.47 ⁷⁷	1.913	6.878	1,171.5	224.37	55	157	156
Hexanol (1)	00111-27-3	102.17	6.79	0.005	7.288	1,422.0	165.44	126	315	314
Hexene (1)	00592-41-6	84.16	5.62	2.378	6.866	1,153.0	225.85	61	148	147
Hydrogen cyanide										
{hydrocyanic acid}	00074-90-8	27.03	5.74	9.931	7.549	1,340.8	261.56	2	115	79
Isobutane										
{methylpropane (2)}	00075-28-5	58.12	4.60 ⁷⁷	38.22	6.819	912.1	243.34	-121	11	12
Isobutene										
{methylpropene (2)}	00115-11-7	56.11	4.92 ⁷⁷	32.18	6.522	799.1	226.54	-70	32	20
Isobutyl alcohol										
{2-methyl 1-propanol}	00078-83-1	74.12	6.69	0.096	7.306	1,237.0	171.62	176	240	226
Isooctane										
{2,2,4-trimethylpentane}	00540-84-1	114.23	5.74 ⁷⁷	0.596	6.812	1,257.8	220.74	76	212	211
Isopentane										
{2-methyl butane}	00078-78-4	72.15	5.18	9.426	6.790	1,020.0	233.10	61	83	82
Isopentene										
{2-methyl 2-butene}	00513-35-9	70.13	5.53	6.210	6.922	1,098.6	233.26	37	159	100
Isoprene										
{2-methyl 1,3-butadiene}	00078-79-5	68.12	5.67	7.446	6.091	706.9	186.10	62	93	93
Isopropyl alcohol										
{isopropanol}	00067-63-0	60.10	6.52 ⁷⁷	0.443	7.736	1,357.4	197.34	134	193	180
Isopropyl benzene										
{cumene}	00098-82-8	120.19	7.19	0.048	6.929	1,455.8	207.20	158	308	305
Isopropylbenzene (1-methyl-2)	00527-84-4	134.22	7.32	0.017	7.417	1,880.5	236.27	178	355	350
Methacrylonitrile										
{2-methyl 2-propenenitrile}	00126-98-7	67.09	6.68	0.886	6.999	1,353.6	238.03	-48	194	194

Methane	00074-82-8	16.04	3.53 ⁻²⁶⁰	4567	7.096	516.7	284.37	-262	-117	-260
Methyl acetate										
{methyl ester acetic acid}	00079-20-9	74.08	7.80	2.703	7.079	1,164.4	220.46	35	133	134
Methyl acrylate										
{methyl ester 2-propenoic acid}	00096-33-3	86.09	7.96	1.058	7.198	1,338.7	229.63	-47	176	177
Methyl alcohol										
{methanol}	00067-56-1	32.04	6.61	1.476	8.079	1,581.3	239.65	59	183	148
Methyl ethyl ketone										
{2-butanone}	00078-93-3	72.11	6.68 ⁷⁷	1.081	6.864	1,150.2	209.25	106	207	176
Methyl isobutyl ketone	00108-10-1	100.16	6.65 ⁷⁷	0.219	6.828	1,254.1	201.61	71	241	241
Methyl methacrylate	00080-62-6	100.12	7.88	0.416	8.253	1,945.6	265.58	102	192	213
Methyl propyl ether	00557-17-5	74.12	6.14 ⁵⁵	6.017	6.563	903.6	206.46	31	103	102
Methyl styrene (alpha)	00098-83-9	118.18	7.60	0.024	6.924	1,486.9	202.40			329
Methylcyclohexane	00108-87-2	98.19	6.42	0.558	6.823	1,270.8	221.42	27	261	214
Methylcyclopentane	00096-37-7	84.16	6.25	1.738	6.863	1,186.1	226.04	59	163	161
Methyldichlorosilane	20156-50-7	115.03	8.91	5.718	7.028	1,167.8	240.70	34	106	
Methylene chloride	00075-09-2	84.93	11.07	5.640	7.412	1,327.0	252.68	-40	104	104
Methylhexane (2)	00591-76-4	100.20	5.66	0.799	6.882	1,240.9	220.10	65	196	194
Methylhexane (3)	00589-34-4	100.20	5.72	0.744	6.874	1,243.8	219.63	68	199	197
Methylpentane (2)	00107-83-5	86.18	5.43 ⁷⁷	2.730	6.839	1,135.4	226.57	55	142	142
Methyl-tert-butyl ether										
{MTBE}	01634-04-4	88.15	6.18	3.226	6.867	1,116.1	224.74	125	431	131
Morpholine	00110-91-8	87.12	8.35	0.109	7.718	1,745.8	235.00	32	111	263
Naphthalene	00091-20-3	128.17	8.56	0.0024	7.146	1,831.6	211.82	177	354	422
Nitrobenzene	00098-95-3	123.11	10.05	0.0022	7.091	1,727.6	199.71	273	411	412
Nitromethane	00075-52-5	61.04	9.49	0.415	7.281	1,446.2	227.52	132	277	214
Nonadecane (n)	00629-92-5	268.52	6.56	3.64E-07	33.303	28,197	725.94	91	131	624
Nonane (n)	00111-84-2	128.26	5.99	0.037	6.700	1,492.9	217.26	-64	94	303
Octadecane (n)	00593-45-3	254.49	6.4882	6.16E-07	7.207	2,069.0	161.22	346	602	592
Octane (n)	00111-65-9	114.23	5.8377	0.142	8.076	1,936.3	253.01	-70	75	258
Octanol (1)	00111-87-5	130.23	6.9077	0.00061	9.352	2,603.4	224.35	68	176	383
Octene (1)	00111-66-0	112.21	5.97	0.196	6.933	1,353.5	212.76	113	252	251
Pentachloroethane	00076-01-7	202.29	14.02	0.040	6.643	1,342.3	196.51	77	324	324
Pentadiene (1,2)	00591-95-7	68.12	5.78	4.718	6.936	1,125.5	231.88	-76	-19	113
Pentadiene (1,4)	00591-93-5	68.12	5.52	10.06	7.035	1,108.2	241.05	-110	65	79
Pentadiene (2,3)	00591-96-8	68.12	5.80	4.223	7.263	1,256.2	239.57	-76	-15	119
Pentane (n)	00109-66-0	72.15	5.23	6.884	6.864	1,070.6	232.70	24	155	97
Pentene (1)	00109-67-1	70.13	5.35	8.671	6.786	1,014.3	229.78	55	87	88
Pentyne (1)	00627-19-0	68.12	5.76	5.657	6.967	1,092.5	227.18	-47	142	104

Phenanthrene	00085-01-8	178.23	8.18	3.37E-06	7.394	2,428.5	202.19	212	302	635
Phenol	00108-95-2	94.11	8.80 ¹¹³	0.003	7.122	1,509.7	174.20	225	359	359
Phosgene	00075-44-5	98.92	11.45 ⁷⁷	19.43	7.146	1,072.7	243.30	47	345	46
Picoline (3)										
{3-methyl pyridine}	00108-99-6	93.13	7.98	0.064	7.054	1,484.3	211.54	165	364	291
Propane	00074-98-6	44.10	4.12 ⁷⁷	111	6.858	819.3	248.73	-45	117	-44
Propanethiol (1)	00107-03-9	76.16	7.02	1.943	6.929	1,183.4	224.63	76	216	154
Propanethiol (2)	00075-33-2	76.16	6.80	3.590	6.877	1,113.9	226.16	51	186	131
Propyl alcohol (n)										
{propanol (1)}	00071-23-8	60.10	6.67 ⁷⁷	0.218	8.189	1,690.9	221.35	67	207	207
Propyl nitrate (n)										
{propyl ester nitric acid}	00627-13-4	105.09	8.80	0.261	6.955	1,294.4	206.70	32	158	231
Propylamine (n)										
{1-propanamine}	00107-10-8	59.11	5.99	3.990	6.926	1,044.0	210.84	73	172	120
Propylene										
{propene}	00115-07-1	42.08	4.22	132	6.850	795.8	248.27	-161	-53	-54
Propylene glycol (1,2)										
{1,2 propanediol}	00057-55-6	76.09	8.65	0.00094	8.208	2,085.9	203.54			368
Propylene oxide	00075-56-9	58.08	7.17 ³²	7.101	6.970	1,065.3	226.28	-100	94	95
Pyridine	00110-86-1	79.10	8.20	0.233	7.038	1,371.4	214.65	153	307	240
Resorcinol	00108-46-3	110.11	10.61 ⁷⁷	6.65E-06	8.398	2,687.2	210.99	305	530	532
Styrene	00100-42-5	104.15	7.56	0.066	7.095	1,525.1	216.77	86	293	295
Tetrachloroethane (1,1,1,2)	00630-20-6	167.85	12.86	0.133	6.906	1,370.4	210.25	139	266	271
Tetrachloroethane (1,1,2,2)	00079-34-5	167.85	13.32	0.037	6.091	959.6	149.78	77	266	295
Tetrachloroethylene	00127-18-4	165.83	13.54	0.213	7.056	1,440.8	223.98	82	226	250
Tetrahydrofuran	00109-99-9	72.11	7.42	2.039	6.996	1,202.9	226.33	74	211	151
Toluene	00108-88-3	92.14	7.24	0.331	7.017	1,377.6	222.64	32	122	231
Trichloroethane (1,1,1)	00071-55-6	133.40	11.18	1.650	8.761	2,210.2	308.05	22	62	165
Trichloroethane (1,1,2)	00079-00-5	133.40	12.02	0.245	6.945	1,310.3	208.74	122	237	237
Trichloroethylene	00079-01-6	131.39	12.22	0.817	6.429	974.5	187.34	64	188	189
Trichloropropane (1,2,3)	00096-18-4	147.43	11.59	0.031	7.532	1,818.9	232.52	48	316	313
Tridecane (n)	00629-50-5	184.36	6.31	2.46E-04	7.003	1,689.1	174.28	283	457	453
Trifluoroethane										
(1,1,2-trichloro-1,2,2)	00076-13-1	187.37	13.05 ⁷⁷	4.376	6.880	1,099.9	227.50	-13	181	118
Trimethylbenzene (1,2,4)	00095-63-6	120.19	7.31	0.020	7.044	1,573.3	208.56	126	388	337
Trimethylchlorosilane										
{chlorotrimethylsilane}	00075-77-4	108.64	7.15 ⁷⁷	3.068	6.951	1,191.0	235.15	37	132	136
Trimethylpentane (2,2,3)	00564-02-3	114.23	5.74 ⁷⁷	0.378	6.825	1,294.9	218.42			230

Trimethylpentane (2,3,3)	00560-21-4	114.23	6.06	0.317	6.844	1,328.1	220.38			238
Trimethylpentane (2,3,4)	00565-75-3	114.23	6.00	0.314	7.031	1,420.7	228.53	-59	308	237
Undecane (<i>n</i>)	01120-21-4	156.31	6.18	0.0035	6.977	1,572.5	188.02	220	387	383
Vinyl acetate										
{acetic acid ethenyl ester}	00108-05-4	86.09	7.78	1.396	7.215	1,299.1	226.97	71	162	163
Vinylidene chloride										
{1,1-dichloro ethene}	00075-35-4	96.94	10.13	8.096	6.983	1,104.7	237.75	-19	90	88
Xylene (<i>m</i>)										
{1,3-dimethyl benzene}	00108-38-3	106.17	7.21	0.090	7.009	1,462.3	215.11	82	331	283
Xylene (<i>o</i>)										
{1,2-dimethyl benzene}	00095-47-6	106.17	7.35 ⁵⁰	0.071	6.999	1,474.7	213.69	90	342	291
Xylene (<i>p</i>)										
{1,4-dimethyl benzene}	00106-42-3	106.17	7.19	0.097	7.021	1,474.4	217.77	56	355	281

NOTE: Synonyms are shown in braces { }. Prefixes are shown in parentheses ().

^a Reference 22.

^b Vapor pressure P_{VA} in psia = $(0.019337)10^{\left[A - \frac{B}{(T_{LA}-32)^5 + C}\right]}$ where T_{LA} is the temperature in °F.

^c Use of this equation for temperature outside the indicated temperature range may result in loss of accuracy.

^d The superscript denotes the temperature in °F; if no superscript is given the density is for 68°F.

Table 7.1-4. HEIGHT OF THE LIQUID HEEL AND VAPOR SPACE UNDER A LANDED FLOATING ROOF^a

Scenario		Expression for height of the vapor space (h_v)
<u>General Expression</u>	<u>Slope convention:</u> s is expressed in ft/ft; positive for cone down, negative for cone up.	$h_v = \left(h_d + \frac{sD}{6}\right) - h_{le}$
<u>Full liquid heel</u>	$h_{le} = \left(h_l + \frac{sD}{6}\right)$	$h_v = h_d - h_l$
<u>Partial liquid heel</u> (this condition may occur after normal pumpout of a tank with a cone-down bottom, or be created during the tank cleaning process of any tank that had a full liquid heel after normal pumpout)	h_p = the vertical distance from the bottom of the shell down to the liquid surface in a cone-down bottom. h_{le} = the height that would result from spreading the available volatile materials evenly over a flat tank bottom. $h_{le} = \frac{(\text{volume of heel, ft}^3)}{(\pi D^2/4)} + \text{clingage}$	volume of heel, ft ³ = $\left(\frac{\pi D^2}{12}\right) \frac{\left(\frac{sD}{2} - h_p\right)^3}{\left(\frac{sD}{2}\right)^2}$ $h_v = \left(h_d + \frac{sD}{6}\right) - \left[\left(\frac{\text{volume of heel, ft}^3}{\pi D^2/4}\right) + \left(\frac{0.01 \text{ in.}}{12 \text{ in./ft}}\right)\right]$
No significant amount of <u>volatile material remaining</u> (drain dry tanks or any tank after sludge removal)	$h_{le} = 0$	$h_v = \left(h_d + \frac{sD}{6}\right)$
<u>Flat bottom</u> (including slight cone-up bottoms)*	s = 0 h_{le} is evaluated per the applicable case above.	$h_v = h_d - h_{le} \{= h_d - h_l, \text{ given } s = 0\}$

where:

h_d = deck leg height at the tank shell, ft

h_l = height of liquid at the tank shell, ft

h_{le} = effective liquid height during roof landing, ft

h_p = the vertical distance from the bottom of the shell down to the liquid surface in a cone-down bottom, ft

h_v = vapor space height under landed floating roof, ft

s = tank cone bottom slope, ft/ft

These variables are illustrated schematically in Figures 7.1-23 and 7.1-24.

^a Reference 23.

*A slight cone-up bottom might have an upward slope on the order of 1:120.

Table 7.1-5. LEL VALUES FOR SELECTED COMPOUNDS^a

Compound	LEL (volume percent in air)
Heptane (C7)	1.05
Hexane (C6)	1.1
Pentane (C5)	1.5
Butane (C4)	1.9
Propane (C3)	2.1
Ethane (C2)	3.0
Methane (C1)	5.0

^a Reference 28.

Table 7.1-6. PAINT SOLAR ABSORPTANCE^a

Surface Color	Shade or Type	Reflective Condition (see Note 1)		
		New	Average	Aged
White		0.17	0.25	0.34
Aluminum	Specular	0.39	0.44	0.49
Aluminum	Diffuse	0.60	0.64	0.68
Beige/Cream		0.35	0.42	0.49
Black		0.97	0.97	0.97
Brown		0.58	0.62	0.67
Gray	Light	0.54	0.58	0.63
Gray	Medium	0.68	0.71	0.74
Green	Dark	0.89	0.90	0.91
Red	Primer	0.89	0.90	0.91
Rust	red iron oxide	0.38	0.44	0.50
Tan		0.43	0.49	0.55
Aluminum (see Note 2)	mill finish, unpainted	0.10	0.12	0.15

NOTE 1 Reflective condition definitions:

New: For paint, paint still retains the fresh shine of having been recently applied; for mill-finish aluminum, surface is shiny. This was previously labeled "Good."

Average: For paint, paint is in good condition, but the initial shine has faded; for mill-finish aluminum, surface is oxidized but still bright. The value given in each case is the average of the New and the Aged values for that case, and does not represent new data.

Aged: For paint, paint is noticeably faded and dull; for mill-finish aluminum, surface is dull. This was previously labeled "Poor."

NOTE 2 This refers to aluminum as the base metal, rather than aluminum-colored paint.

Notes:

^a Reference 22. If specific information is not available, a white shell and roof, with the paint in average condition, can be assumed to represent the most common or typical tank surface in use. If the tank roof and shell are painted a different color, α is determined from $\alpha = (\alpha_R + \alpha_S)/2$; where α_R is the tank roof paint solar absorptance and α_S is the tank shell paint solar absorptance.

Table 7.1-7. METEOROLOGICAL DATA (T_{AX} , T_{AN} , V , I , P_A) FOR SELECTED U.S. LOCATIONS^a

Location	Symbol	Units	Jan	Feb	Mar	Apr	May	Jun	Jul	Aug	Sep	Oct	Nov	Dec	Annual
Birmingham, AL	T_{AN}	°F	35.0	37.5	44.1	51.7	60.6	68.1	71.7	71.1	64.7	53.3	43.3	36.7	53.2
	T_{AX}	°F	53.7	57.8	65.9	73.9	80.9	86.8	90.0	89.8	84.5	74.7	64.2	55.3	73.1
	V	mi/hr	7.2	7.4	7.8	7.4	6.3	5.4	5.1	4.7	5.4	5.4	6.0	6.7	6.3
	I	Btu/ft ² /day	769	1013	1382	1720	1884	1928	1889	1760	1504	1212	890	699	1388
	P_A	lb/in ²													14.37
Huntsville, AL	T_{AN}	°F	32.7	35.2	42.1	50.6	59.6	67.2	70.3	69.2	62.6	51.1	41.2	34.5	51.4
	T_{AX}	°F	50.3	54.4	63.1	72.3	79.9	86.3	88.9	89.2	83.7	73.4	61.6	52.1	71.3
	V	mi/hr	8.3	8.3	8.9	8.5	7.4	5.8	4.9	4.9	5.8	6.3	7.2	7.8	7.2
	I	Btu/ft ² /day	714	949	1314	1690	1868	1973	1948	1823	1508	1191	835	656	1372
	P_A	lb/in ²													14.36
Mobile, AL	T_{AN}	°F	41.4	43.8	49.7	56.3	64.7	71.0	73.3	73.1	68.9	58.4	48.3	42.4	57.6
	T_{AX}	°F	60.8	64.2	70.4	76.7	84.0	88.3	90.1	89.9	86.4	78.5	69.5	62.1	76.7
	V	mi/hr	8.5	8.5	8.7	8.3	7.4	6.0	5.4	5.4	6.7	6.9	7.2	7.8	7.2
	I	Btu/ft ² /day	865	1114	1446	1774	1955	1925	1876	1767	1557	1304	1024	818	1452
	P_A	lb/in ²													14.58
Montgomery, AL	T_{AN}	°F	37.1	39.9	46.1	52.6	61.8	68.9	72.2	71.7	66.2	54.4	44.0	38.0	54.4
	T_{AX}	°F	57.7	62.0	69.4	76.6	83.9	89.4	91.8	91.5	86.9	77.7	67.9	59.1	76.2
	V	mi/hr	7.2	7.4	7.6	6.5	5.8	4.9	4.7	4.7	5.6	5.4	5.8	6.7	6.0
	I	Btu/ft ² /day	823	1076	1421	1766	1952	1951	1943	1781	1530	1223	950	749	1430
	P_A	lb/in ²													14.59
Phoenix, AZ	T_{AN}	°F	46.5	49.5	54.0	60.1	69.8	78.1	84.3	83.4	78.1	65.4	53.3	45.6	64.0
	T_{AX}	°F	66.7	69.8	76.1	83.6	93.8	102.6	105.4	103.6	99.6	87.8	75.1	65.6	85.8
	V	mi/hr	4.9	5.6	6.3	6.9	6.9	6.7	6.9	6.7	6.0	5.6	4.9	4.7	6.0
	I	Btu/ft ² /day	1058	1335	1774	2248	2495	2606	2379	2144	1910	1542	1172	967	1802
	P_A	lb/in ²													14.11
Prescott, AZ	T_{AN}	°F	26.8	29.5	33.5	38.9	48.0	55.9	63.3	61.9	54.9	42.7	32.3	26.2	42.8
	T_{AX}	°F	51.4	54.4	60.0	66.4	76.5	85.6	89.2	86.5	82.2	71.4	60.1	51.1	69.6
	V	mi/hr	6.5	7.2	8.1	8.9	8.7	8.7	7.4	6.7	6.9	6.9	6.5	6.3	7.4
	I	Btu/ft ² /day	982	1245	1694	2156	2415	2571	2171	1903	1805	1493	1130	901	1705
	P_A	lb/in ²													12.24
Tucson, AZ	T_{AN}	°F	40.7	43.1	47.0	52.4	61.6	70.4	75.7	74.4	70.1	58.4	47.0	40.0	56.8

Location	Symbol	Units	Jan	Feb	Mar	Apr	May	Jun	Jul	Aug	Sep	Oct	Nov	Dec	Annual
	T_{AX}	°F	65.8	68.4	74.2	81.7	91.7	99.9	99.6	97.3	94.7	85.1	74.1	65.0	83.1
	V	mi/hr	6.9	7.4	7.8	8.3	8.1	8.1	7.8	7.4	7.6	7.6	7.2	6.9	7.6
	I	Btu/ft ² /day	1110	1370	1840	2279	2510	2582	2198	2007	1886	1595	1249	1033	1805
	P_A	lb/in ²													13.40
Fort Smith, AR	T_{AN}	°F	30.7	34.3	41.8	50.5	60.4	68.4	72.4	71.4	63.0	51.6	41.0	32.8	51.5
	T_{AX}	°F	49.4	55.3	63.7	73.0	79.8	87.1	92.3	92.8	84.4	74.3	61.8	51.6	72.1
	V	mi/hr	7.6	8.1	8.7	8.3	6.9	6.0	5.4	5.6	6.0	6.3	7.2	7.6	6.9
	I	Btu/ft ² /day	738	977	1299	1674	1808	1991	2117	1918	1522	1177	811	674	1392
	P_A	lb/in ²													14.46
Little Rock, AR	T_{AN}	°F	33.3	36.3	43.8	52.4	61.6	69.7	73.2	72.2	64.4	53.1	42.9	35.0	53.2
	T_{AX}	°F	50.6	55.5	63.7	73.1	80.8	88.1	91.8	92.2	84.9	74.4	62.1	52.3	72.5
	V	mi/hr	7.8	7.8	8.7	8.5	7.2	6.3	6.0	5.6	6.3	6.0	7.2	7.6	7.2
	I	Btu/ft ² /day	717	970	1302	1686	1820	2008	2009	1879	1534	1171	814	656	1380
	P_A	lb/in ²													14.56
Arcata, CA	T_{AN}	°F	40.7	41.4	41.1	42.4	46.0	48.4	51.4	51.4	48.3	45.1	42.5	40.2	44.9
	T_{AX}	°F	55.1	55.6	55.5	56.2	58.9	61.1	62.2	63.2	63.2	61.9	57.5	54.9	58.8
	V	mi/hr	6.7	6.7	7.2	7.2	7.2	7.2	6.0	5.6	5.1	5.4	5.8	6.9	6.3
	I	Btu/ft ² /day	527	730	1139	1516	1822	1946	1809	1573	1327	971	613	460	1203
	P_A	lb/in ²													14.59
Bakersfield, CA	T_{AN}	°F	40.3	43.7	46.9	49.8	57.8	64.2	70.7	69.3	64.5	55.3	45.3	39.7	54.0
	T_{AX}	°F	56.9	62.9	69.0	74.1	83.3	90.6	96.9	95.7	90.4	79.0	65.7	57.3	76.8
	V	mi/hr	4.9	5.6	6.0	6.9	7.4	7.6	6.9	6.7	6.0	5.4	4.7	4.9	6.0
	I	Btu/ft ² /day	717	1031	1543	2010	2358	2570	2500	2293	1911	1411	952	696	1666
	P_A	lb/in ²													14.43
Bishop, CA	T_{AN}	°F	24.0	27.4	32.1	36.8	45.1	51.9	57.7	54.8	47.6	38.5	28.3	22.9	38.9
	T_{AX}	°F	53.0	56.2	64.5	70.5	80.8	90.4	97.5	95.5	87.6	75.2	61.9	52.5	73.8
	V	mi/hr	7.2	8.1	9.4	10.1	9.2	8.3	7.8	8.1	7.6	7.8	7.4	6.9	8.1
	I	Btu/ft ² /day	882	1186	1683	2080	2378	2564	2487	2278	1925	1457	1046	824	1732
	P_A	lb/in ²													12.68
Daggett, CA	T_{AN}	°F	37.5	41.2	46.2	51.3	60.6	68.0	74.7	73.6	66.5	55.3	43.2	36.1	54.5
	T_{AX}	°F	60.8	64.4	71.7	78.3	88.9	98.0	104.6	103.1	95.7	82.5	69.1	59.6	81.4
	V	mi/hr	8.1	9.4	11.4	13.9	14.1	13.6	11.6	11.0	10.1	9.6	8.5	7.6	10.7
	I	Btu/ft ² /day	992	1270	1756	2197	2492	2656	2470	2259	1972	1544	1142	921	1806

Location	Symbol	Units	Jan	Feb	Mar	Apr	May	Jun	Jul	Aug	Sep	Oct	Nov	Dec	Annual
	P_A	lb/in ²													13.71
Fresno, CA	T_{AN}	°F	39.9	43.1	46.5	49.6	56.9	62.4	68.3	66.7	62.2	53.7	44.6	39.4	52.8
	T_{AX}	°F	55.0	61.1	67.4	73.1	83.2	90.9	97.7	96.3	90.7	78.5	64.7	55.1	76.1
	V	mi/hr	4.3	5.1	5.8	7.4	8.3	8.5	7.6	6.9	6.0	4.7	4.0	4.3	6.0
	I	Btu/ft ² /day	638	973	1519	2002	2368	2573	2534	2290	1895	1383	889	602	1639
	P_A	lb/in ²													14.52
Long Beach, CA	T_{AN}	°F	47.6	49.0	51.5	53.6	58.2	61.4	64.7	65.3	63.5	58.8	51.8	46.8	56.0
	T_{AX}	°F	66.5	65.9	67.7	70.4	72.6	75.7	80.3	82.5	81.0	76.0	71.4	66.0	73.0
	V	mi/hr	4.5	5.1	5.6	6.3	6.0	6.0	6.0	5.8	5.4	4.7	4.3	4.3	5.4
	I	Btu/ft ² /day	894	1109	1548	1958	2066	2207	2264	2156	1767	1327	1039	843	1598
	P_A	lb/in ²													14.68
Los Angeles AP, CA	T_{AN}	°F	50.0	50.9	52.4	54.1	57.8	61.0	64.0	64.6	63.4	59.6	54.0	49.7	56.8
	T_{AX}	°F	64.9	64.4	64.7	66.5	68.5	71.0	73.9	75.3	74.5	72.3	69.3	64.8	69.2
	V	mi/hr	6.5	7.6	8.1	8.7	8.1	8.1	8.1	7.6	7.4	6.7	6.3	6.5	7.4
	I	Btu/ft ² /day	895	1115	1537	1988	2045	2140	2117	2037	1662	1298	1036	834	1559
	P_A	lb/in ²													14.63
Redding, CA	T_{AN}	°F	38.2	40.6	43.7	46.6	55.0	62.0	67.0	63.8	58.7	50.4	41.8	37.6	50.4
	T_{AX}	°F	55.0	58.3	64.9	69.6	80.4	89.3	98.1	96.2	90.4	77.1	62.5	54.0	74.7
	V	mi/hr	5.8	6.5	6.7	6.7	6.7	6.9	6.0	5.6	5.4	5.6	4.9	6.0	6.0
	I	Btu/ft ² /day	577	856	1354	1772	2198	2464	2526	2246	1786	1209	721	497	1517
	P_A	lb/in ²													14.43
Sacramento, CA	T_{AN}	°F	40.0	42.7	44.7	46.8	52.1	56.5	59.1	58.9	56.4	50.7	43.3	39.5	49.2
	T_{AX}	°F	54.3	59.6	65.4	70.3	79.3	86.1	91.4	90.9	87.4	77.1	63.8	54.4	73.3
	V	mi/hr	5.6	6.0	6.7	7.4	7.6	8.1	7.6	6.9	5.8	5.4	4.9	5.8	6.5
	I	Btu/ft ² /day	563	877	1409	1891	2249	2510	2514	2239	1823	1269	790	518	1555
	P_A	lb/in ²													14.68
San Diego, CA	T_{AN}	°F	50.1	51.6	53.9	56.2	59.8	62.3	65.4	66.9	65.4	61.0	54.4	49.5	58.0
	T_{AX}	°F	64.5	64.3	65.0	66.6	67.9	70.1	73.4	75.6	75.0	72.0	68.6	64.2	68.9
	V	mi/hr	5.4	6.3	6.7	7.4	7.2	7.4	7.2	6.9	6.7	5.8	4.9	4.9	6.5
	I	Btu/ft ² /day	990	1206	1604	1990	1993	2135	2127	2087	1774	1367	1107	922	1608
	P_A	lb/in ²													14.69
San Francisco AP, CA	T_{AN}	°F	45.2	47.2	48.3	49.4	52.2	54.0	55.8	56.6	56.2	53.9	49.4	45.6	51.1
	T_{AX}	°F	55.9	58.6	61.4	63.3	66.3	69.2	70.6	71.6	72.5	69.4	62.3	56.2	64.8

06/2020

Liquid Storage Tanks

7.1-107

Location	Symbol	Units	Jan	Feb	Mar	Apr	May	Jun	Jul	Aug	Sep	Oct	Nov	Dec	Annual
Grand Junction, CO	T_{AN}	°F	19.3	25.9	32.7	39.5	48.8	57.9	65.2	62.8	53.4	41.3	28.8	19.9	41.3
	T_{AX}	°F	37.4	45.3	56.5	64.4	76.2	86.9	93.4	89.3	79.9	66.0	49.9	38.0	65.3
	V	mi/hr	5.4	6.5	7.8	8.9	9.2	9.6	9.4	8.9	8.5	7.6	6.0	5.4	7.8
	I	Btu/ft ² /day	739	1039	1522	1876	2211	2434	2339	2020	1721	1281	874	662	1560
	P_A	lb/in ²													12.34
Limon, CO	T_{AN}	°F	12.4	15.2	22.0	29.2	39.4	49.3	54.8	53.9	43.7	31.6	19.9	12.7	32.0
	T_{AX}	°F	41.7	44.2	52.7	59.5	69.7	79.6	86.2	82.7	75.8	63.4	49.6	41.8	62.2
	V	mi/hr	8.7	9.4	10.7	11.9	11.0	10.1	9.2	8.7	8.9	9.4	8.9	8.9	9.6
	I	Btu/ft ² /day	797	1066	1466	1773	2074	2301	2267	2003	1712	1264	860	693	1523
	P_A	lb/in ²													12.02
Pueblo, CO	T_{AN}	°F	15.3	18.5	26.5	34.8	45.2	53.6	59.6	58.3	48.3	35.1	23.4	15.9	36.2
	T_{AX}	°F	47.2	50.8	58.9	66.1	76.7	86.3	92.3	88.8	81.4	68.9	55.1	46.8	68.3
	V	mi/hr	6.7	7.4	8.5	9.8	8.9	8.7	8.1	7.4	7.4	7.4	6.5	6.5	7.8
	I	Btu/ft ² /day	862	1144	1557	1897	2197	2399	2356	2093	1783	1344	950	779	1613
	P_A	lb/in ²													12.40
Bridgeport, CT	T_{AN}	°F	24.4	25.9	32.1	41.8	51.1	61.4	67.0	66.6	59.2	47.4	38.9	29.5	45.4
	T_{AX}	°F	37.2	39.1	46.3	57.1	66.8	76.4	81.4	80.4	73.7	62.7	52.4	42.1	59.6
	V	mi/hr	9.8	10.1	10.3	9.6	8.9	7.8	7.6	7.8	8.7	9.2	9.4	9.8	9.2
	I	Btu/ft ² /day	560	847	1156	1490	1750	1862	1904	1685	1320	948	621	501	1220
	P_A	lb/in ²													14.69
Hartford, CT	T_{AN}	°F	19.4	21.4	28.8	39.2	48.3	58.4	63.3	61.9	53.9	42.2	34.1	24.6	41.3
	T_{AX}	°F	34.4	37.5	46.7	60.2	70.4	79.1	83.6	82.2	74.4	62.3	50.8	39.5	60.1
	V	mi/hr	8.5	8.9	9.4	8.9	8.1	6.9	6.5	6.3	6.7	7.4	7.6	8.3	7.8
	I	Btu/ft ² /day	560	814	1133	1453	1700	1797	1833	1622	1289	905	582	482	1181
	P_A	lb/in ²													14.61
Wilmington_DE, DE	T_{AN}	°F	26.3	27.2	34.3	43.8	53.0	63.2	67.9	66.9	58.9	46.8	38.4	30.1	46.4
	T_{AX}	°F	40.5	42.7	51.6	63.1	72.1	80.9	85.1	83.9	76.8	65.5	55.0	44.7	63.5
	V	mi/hr	9.4	9.8	10.1	9.6	8.3	7.6	7.4	6.9	7.8	7.6	8.5	8.9	8.5
	I	Btu/ft ² /day	629	911	1185	1528	1786	1909	1916	1680	1366	1016	678	556	1264
	P_A	lb/in ²													14.65
Daytona Beach, FL	T_{AN}	°F	49.0	50.6	55.0	59.8	66.4	72.1	73.7	74.0	73.2	66.9	57.7	52.3	62.5
	T_{AX}	°F	68.4	69.9	74.2	78.8	84.5	87.7	89.5	88.8	86.3	81.5	75.1	70.2	79.6
	V	mi/hr	7.2	7.6	8.3	7.8	7.4	6.3	5.6	5.6	6.7	7.4	6.9	6.7	6.9

Location	Symbol	Units	Jan	Feb	Mar	Apr	May	Jun	Jul	Aug	Sep	Oct	Nov	Dec	Annual
	<i>I</i>	Btu/ft ² /day	1018	1215	1579	1931	2049	1893	1911	1767	1518	1296	1063	916	1513
	<i>P_A</i>	lb/in ²													14.68
Fort Myers, FL	<i>T_{AN}</i>	°F	54.4	56.1	59.8	64.0	69.3	73.8	75.0	75.4	74.7	69.4	61.8	56.7	65.9
	<i>T_{AX}</i>	°F	74.2	76.2	79.6	83.5	88.5	90.3	90.7	90.8	89.3	85.8	80.2	75.5	83.7
	<i>V</i>	mi/hr	7.4	7.8	8.3	8.1	7.2	6.3	5.4	5.6	6.3	7.2	7.4	7.2	6.9
	<i>I</i>	Btu/ft ² /day	1150	1426	1718	1993	2075	1880	1805	1740	1533	1415	1205	1054	1583
	<i>P_A</i>	lb/in ²													14.68
Gainesville, FL	<i>T_{AN}</i>	°F	43.4	45.5	50.2	55.6	63.2	69.8	72.1	72.1	69.4	61.1	51.4	45.5	58.3
	<i>T_{AX}</i>	°F	66.3	69.0	74.4	80.0	86.4	89.0	90.2	89.4	86.6	80.7	73.6	67.6	79.4
	<i>V</i>	mi/hr	6.5	6.9	7.4	7.2	6.7	5.6	5.1	4.9	5.8	5.8	6.0	5.8	6.3
	<i>I</i>	Btu/ft ² /day	970	1213	1549	1890	2019	1865	1863	1704	1484	1276	1063	887	1482
	<i>P_A</i>	lb/in ²													14.62
Jacksonville, FL	<i>T_{AN}</i>	°F	42.9	45.1	50.1	55.5	63.7	70.5	72.9	73.1	70.1	61.0	50.8	44.4	58.3
	<i>T_{AX}</i>	°F	64.5	67.2	72.7	78.3	84.8	88.7	91.0	89.6	85.8	79.6	72.2	65.4	78.3
	<i>V</i>	mi/hr	7.2	7.4	8.1	7.6	7.2	6.5	5.8	5.8	6.5	6.3	6.3	6.5	6.7
	<i>I</i>	Btu/ft ² /day	937	1186	1522	1890	2035	1911	1948	1756	1466	1237	1021	846	1480
	<i>P_A</i>	lb/in ²													14.68
Key West, FL	<i>T_{AN}</i>	°F	64.9	66.2	68.7	72.2	76.2	79.4	80.6	80.5	79.2	76.5	71.8	67.1	73.6
	<i>T_{AX}</i>	°F	74.4	75.7	78.2	81.0	84.6	87.7	89.0	89.4	87.7	84.5	79.6	75.7	82.3
	<i>V</i>	mi/hr	11.0	10.5	11.0	11.2	9.8	8.7	8.5	8.3	8.7	10.1	11.2	10.5	10.1
	<i>I</i>	Btu/ft ² /day	1206	1462	1805	2069	2131	2035	2041	1943	1667	1465	1240	1098	1680
	<i>P_A</i>	lb/in ²													14.69
Miami, FL	<i>T_{AN}</i>	°F	61.2	62.6	65.8	69.4	73.9	76.6	78.1	78.2	77.3	74.3	68.4	63.6	70.8
	<i>T_{AX}</i>	°F	75.5	77.0	79.6	82.4	86.2	88.4	89.9	90.0	88.2	85.1	80.5	76.9	83.3
	<i>V</i>	mi/hr	8.5	8.5	9.6	9.8	8.7	7.4	7.2	6.9	7.4	8.3	8.5	8.1	8.3
	<i>I</i>	Btu/ft ² /day	1118	1346	1625	1875	1938	1737	1813	1701	1456	1309	1113	1015	1504
	<i>P_A</i>	lb/in ²													14.68
Orlando, FL	<i>T_{AN}</i>	°F	50.5	52.5	56.5	61.0	67.3	72.4	74.0	74.4	73.2	66.8	58.7	52.9	63.4
	<i>T_{AX}</i>	°F	70.7	72.8	77.2	81.7	87.2	89.5	90.8	90.5	88.3	83.4	77.0	71.8	81.8
	<i>V</i>	mi/hr	8.3	8.7	9.2	8.7	8.1	6.9	6.3	6.5	7.2	7.8	8.1	7.8	7.8
	<i>I</i>	Btu/ft ² /day	1043	1257	1588	1904	2021	1849	1854	1726	1506	1328	1096	944	1510
	<i>P_A</i>	lb/in ²													14.65
Pensacola, FL	<i>T_{AN}</i>	°F	43.5	46.0	52.0	58.6	67.0	73.3	75.2	74.8	71.1	61.1	51.0	44.6	59.9

Location	Symbol	Units	Jan	Feb	Mar	Apr	May	Jun	Jul	Aug	Sep	Oct	Nov	Dec	Annual
	T_{AX}	°F	61.0	63.9	69.8	75.6	83.4	88.4	89.9	89.4	86.6	79.0	70.1	62.6	76.6
	V	mi/hr	8.7	8.7	9.2	9.2	8.3	7.2	6.5	6.3	7.2	7.4	7.8	8.1	7.8
	I	Btu/ft ² /day	890	1144	1504	1813	2038	2019	1911	1783	1594	1327	1040	830	1491
	P_A	lb/in ²													14.63
Tallahassee, FL	T_{AN}	°F	40.5	42.4	47.9	53.7	62.8	70.3	72.8	72.8	69.1	58.2	47.6	41.5	56.6
	T_{AX}	°F	63.6	66.8	73.3	79.4	86.7	90.1	91.6	90.9	87.9	80.9	72.0	64.7	79.0
	V	mi/hr	5.8	6.3	6.5	6.3	6.0	5.1	4.5	4.7	5.6	5.4	5.4	5.4	5.6
	I	Btu/ft ² /day	933	1195	1553	1904	2031	1925	1866	1764	1565	1327	1070	872	1500
	P_A	lb/in ²													14.65
Tampa, FL	T_{AN}	°F	52.3	54.1	58.5	63.5	70.2	74.8	76.2	76.2	74.6	68.2	59.9	54.3	65.2
	T_{AX}	°F	69.8	71.6	75.9	80.8	86.7	89.1	89.5	89.6	88.4	83.8	77.1	71.4	81.2
	V	mi/hr	7.2	7.4	8.1	7.8	7.2	6.5	5.6	5.6	6.3	6.7	6.9	6.7	6.7
	I	Btu/ft ² /day	1073	1294	1656	1991	2124	1962	1851	1732	1561	1394	1158	990	1566
	P_A	lb/in ²													14.68
Vero Beach, FL	T_{AN}	°F	52.7	54.2	58.2	62.3	68.5	72.6	73.9	73.9	73.9	69.6	62.0	56.4	64.9
	T_{AX}	°F	72.3	73.9	77.1	80.2	84.6	87.9	89.4	89.3	87.5	83.7	78.3	74.1	81.5
	V	mi/hr	8.5	8.7	9.6	9.6	8.9	7.6	6.7	6.7	7.4	8.5	8.5	8.1	8.3
	I	Btu/ft ² /day	1052	1300	1593	1906	2000	1848	1898	1752	1516	1318	1083	949	1518
	P_A	lb/in ²													14.68
West Palm Beach, FL	T_{AN}	°F	58.1	59.4	63.1	67.1	72.0	75.1	76.4	76.6	76.0	72.6	65.8	60.6	68.6
	T_{AX}	°F	74.0	75.6	78.4	81.2	85.3	87.8	89.2	89.3	87.6	84.4	79.4	75.5	82.3
	V	mi/hr	9.8	9.8	11.0	10.7	9.8	7.8	7.4	7.4	8.3	9.4	9.8	9.4	9.2
	I	Btu/ft ² /day	1105	1342	1635	1912	1999	1852	1936	1789	1555	1352	1113	998	1549
	P_A	lb/in ²													14.68
Athens, GA	T_{AN}	°F	34.4	36.8	43.1	50.1	58.9	66.7	70.2	69.6	63.3	52.0	42.4	35.5	51.9
	T_{AX}	°F	53.2	56.8	64.8	72.9	80.2	86.7	89.8	88.6	82.7	73.1	63.5	54.5	72.2
	V	mi/hr	7.4	7.4	7.6	6.9	6.0	5.4	5.1	4.9	5.6	5.6	6.0	6.7	6.3
	I	Btu/ft ² /day	819	1062	1390	1764	1951	1978	1946	1760	1487	1211	915	743	1419
	P_A	lb/in ²													14.27
Atlanta, GA	T_{AN}	°F	35.5	38.2	44.8	52.3	61.2	68.5	71.7	71.3	65.4	54.4	44.2	37.1	53.7
	T_{AX}	°F	52.8	56.5	64.1	72.2	79.5	85.5	88.4	87.6	81.9	72.4	62.7	53.9	71.5
	V	mi/hr	9.4	9.4	9.6	8.7	7.8	7.4	6.9	6.7	7.6	7.8	8.1	8.9	8.3
	I	Btu/ft ² /day	801	1046	1379	1747	1925	1949	1925	1739	1477	1201	896	718	1400

Location	Symbol	Units	Jan	Feb	Mar	Apr	May	Jun	Jul	Aug	Sep	Oct	Nov	Dec	Annual
	P_A	lb/in ²													14.17
Augusta, GA	T_{AN}	°F	34.7	36.7	43.0	49.6	58.6	67.2	70.5	70.0	63.7	51.9	41.8	35.3	51.9
	T_{AX}	°F	57.7	61.1	68.7	76.4	83.8	89.2	91.8	90.6	85.5	76.6	67.6	58.9	75.7
	V	mi/hr	6.0	6.3	6.7	6.3	5.6	4.9	4.7	4.0	4.7	4.5	4.9	5.4	5.4
	I	Btu/ft ² /day	836	1084	1432	1806	1995	1979	1965	1782	1509	1214	935	775	1443
	P_A	lb/in ²													14.62
Columbus, GA	T_{AN}	°F	38.0	40.4	46.6	53.5	62.9	70.1	73.2	72.7	67.3	56.2	45.9	39.1	55.5
	T_{AX}	°F	57.4	61.2	68.7	76.0	83.4	88.5	91.3	90.4	85.5	76.4	67.2	58.4	75.4
	V	mi/hr	6.5	6.7	7.2	6.7	6.3	5.6	5.6	5.1	6.0	5.6	5.6	6.0	6.0
	I	Btu/ft ² /day	823	1079	1409	1773	1936	1936	1936	1718	1491	1211	949	753	1418
	P_A	lb/in ²													14.49
Macon, GA	T_{AN}	°F	36.3	38.6	44.8	51.0	60.1	68.3	71.6	70.8	64.7	53.0	43.0	36.8	53.2
	T_{AX}	°F	57.8	61.3	68.8	76.1	83.9	89.0	91.7	90.5	85.5	76.6	67.6	58.9	75.7
	V	mi/hr	6.7	6.7	6.9	6.5	6.0	5.4	4.9	4.7	5.4	5.1	5.4	6.0	5.8
	I	Btu/ft ² /day	852	1107	1460	1839	2026	1978	1981	1788	1523	1233	960	783	1461
	P_A	lb/in ²													14.50
Savannah, GA	T_{AN}	°F	40.0	42.0	48.3	54.5	62.9	70.4	73.3	73.0	68.6	58.1	47.9	41.3	56.7
	T_{AX}	°F	60.5	63.5	70.2	76.9	83.6	88.3	91.3	89.7	85.2	77.6	69.5	61.8	76.5
	V	mi/hr	7.2	7.4	7.8	7.4	6.7	6.3	5.6	5.6	6.5	6.3	6.0	6.5	6.5
	I	Btu/ft ² /day	876	1134	1484	1847	2015	1947	1981	1765	1477	1224	993	817	1464
	P_A	lb/in ²													14.66
Hilo, HI	T_{AN}	°F	64.1	64.0	65.1	65.9	67.2	68.5	69.5	70.0	69.4	68.8	67.5	65.6	67.1
	T_{AX}	°F	78.6	78.1	78.5	78.7	80.7	81.9	82.7	83.0	83.0	82.3	80.4	79.0	80.6
	V	mi/hr	6.7	7.2	7.2	6.9	6.7	6.5	6.5	6.3	6.3	6.3	6.3	6.5	6.5
	I	Btu/ft ² /day	1187	1316	1431	1617	1743	1820	1822	1748	1672	1413	1137	1076	1498
	P_A	lb/in ²													14.68
Honolulu, HI	T_{AN}	°F	67.1	67.3	68.5	70.3	71.8	74.3	75.3	76.0	75.1	74.2	72.1	69.5	71.8
	T_{AX}	°F	79.5	79.6	80.4	82.3	84.1	86.3	87.2	88.0	87.6	86.0	83.2	80.8	83.8
	V	mi/hr	8.7	9.2	10.3	11.2	10.3	12.1	12.1	12.1	10.5	10.1	9.6	9.4	10.5
	I	Btu/ft ² /day	1279	1511	1737	1995	2071	2155	2127	2075	1901	1595	1318	1177	1745
	P_A	lb/in ²													14.69
Kahului, HI	T_{AN}	°F	64.0	63.7	65.0	66.5	67.7	70.3	71.8	72.3	71.2	70.2	68.4	65.9	68.1
	T_{AX}	°F	79.7	79.7	80.3	81.6	83.9	85.5	86.3	87.0	87.0	86.0	83.1	80.9	83.4

06/2020

Liquid Storage Tanks

7.1-112

Location	Symbol	Units	Jan	Feb	Mar	Apr	May	Jun	Jul	Aug	Sep	Oct	Nov	Dec	Annual
Peoria, IL	T_{AN}	°F	17.8	22.2	31.4	42.4	52.4	62.0	65.8	64.6	55.7	44.3	33.3	22.5	42.9
	T_{AX}	°F	32.1	37.8	50.0	62.6	72.3	81.4	84.5	83.0	76.5	64.1	49.7	36.4	60.9
	V	mi/hr	9.2	9.2	9.8	10.1	8.5	7.2	6.5	6.0	6.5	7.8	8.9	8.7	8.3
	I	Btu/ft ² /day	553	845	1179	1503	1746	1990	1982	1724	1444	983	608	475	1253
	P_A	lb/in ²													14.34
Rockford, IL	T_{AN}	°F	14.1	18.5	27.7	38.6	48.9	59.1	62.8	61.6	52.6	41.4	30.6	18.9	39.6
	T_{AX}	°F	28.3	33.4	45.7	59.4	70.1	79.5	82.5	81.0	74.2	61.7	46.5	32.8	57.9
	V	mi/hr	9.8	9.8	10.5	11.2	9.6	7.8	7.2	6.7	7.4	8.9	9.8	9.4	8.9
	I	Btu/ft ² /day	483	766	1123	1442	1700	1933	1881	1647	1337	902	545	401	1180
	P_A	lb/in ²													14.32
Springfield_IL, IL	T_{AN}	°F	19.9	24.2	32.9	43.4	53.8	62.7	65.6	64.5	55.0	44.6	34.6	24.4	43.8
	T_{AX}	°F	34.3	40.2	51.7	64.3	73.9	82.1	85.0	84.1	78.2	66.1	51.7	38.7	62.5
	V	mi/hr	10.7	10.7	11.2	11.4	9.4	7.6	6.5	6.3	6.7	8.7	10.5	10.3	9.2
	I	Btu/ft ² /day	561	862	1179	1513	1747	1983	2017	1766	1459	1035	641	501	1272
	P_A	lb/in ²													14.39
Evansville, IN	T_{AN}	°F	25.9	28.6	36.3	46.3	56.2	65.2	68.6	66.8	58.1	47.1	37.4	28.8	47.1
	T_{AX}	°F	40.7	45.6	55.6	67.2	76.0	84.4	87.2	87.3	80.6	69.2	55.5	43.8	66.1
	V	mi/hr	8.3	8.3	8.3	8.5	6.9	6.0	5.6	5.1	5.4	6.0	7.4	7.6	6.9
	I	Btu/ft ² /day	598	880	1173	1574	1796	2005	1994	1850	1484	1097	693	525	1306
	P_A	lb/in ²													14.49
Fort Wayne, IN	T_{AN}	°F	18.6	21.5	29.6	40.0	50.0	60.4	63.2	61.6	53.1	42.9	33.5	23.5	41.5
	T_{AX}	°F	32.0	36.2	47.4	60.7	70.9	80.1	83.2	81.3	75.5	63.1	49.0	36.1	59.6
	V	mi/hr	11.0	10.5	10.5	10.7	9.4	7.6	6.9	6.3	6.9	8.5	9.8	10.3	9.2
	I	Btu/ft ² /day	490	750	1131	1458	1709	1923	1944	1677	1371	935	560	420	1197
	P_A	lb/in ²													14.29
Indianapolis, IN	T_{AN}	°F	21.5	24.7	33.3	43.8	53.5	63.1	66.2	65.5	57.2	45.7	35.7	25.9	44.7
	T_{AX}	°F	35.6	40.2	51.2	63.3	72.3	81.1	84.1	83.6	77.3	65.1	51.6	39.3	62.0
	V	mi/hr	11.0	11.0	11.0	11.4	9.6	8.3	7.8	7.4	7.8	8.9	10.3	10.5	9.6
	I	Btu/ft ² /day	550	815	1165	1486	1757	1958	1934	1739	1441	1012	615	472	1245
	P_A	lb/in ²													14.29
South Bend, IN	T_{AN}	°F	18.6	21.4	28.9	39.2	49.2	59.4	63.3	62.2	54.0	43.4	33.5	23.6	41.4
	T_{AX}	°F	31.3	35.4	46.5	59.5	69.6	79.1	82.3	80.5	73.9	61.7	47.8	35.5	58.6
	V	mi/hr	10.7	10.3	10.3	10.5	9.2	7.6	7.4	6.7	7.2	8.5	9.6	10.1	8.9

Location	Symbol	Units	Jan	Feb	Mar	Apr	May	Jun	Jul	Aug	Sep	Oct	Nov	Dec	Annual
	<i>I</i>	Btu/ft ² /day	433	698	1130	1471	1729	1935	1898	1646	1335	889	518	389	1173
	<i>P_A</i>	lb/in ²													14.29
Des Moines, IA	<i>T_{AN}</i>	°F	14.1	19.3	29.6	41.3	52.4	62.4	66.6	64.9	55.1	43.6	30.9	19.3	41.6
	<i>T_{AX}</i>	°F	29.6	35.5	48.0	61.3	71.2	80.5	84.3	82.7	75.5	62.9	47.4	34.5	59.5
	<i>V</i>	mi/hr	10.3	10.1	11.0	11.2	10.1	8.7	8.1	7.6	8.5	9.6	10.3	9.8	9.6
	<i>I</i>	Btu/ft ² /day	545	817	1181	1507	1782	1979	1995	1762	1435	986	613	482	1257
	<i>P_A</i>	lb/in ²													14.20
Dubuque, IA	<i>T_{AN}</i>	°F	11.8	16.7	27.0	38.4	49.0	58.9	62.3	60.9	52.1	40.7	29.2	17.0	38.7
	<i>T_{AX}</i>	°F	26.0	31.1	43.6	57.6	68.4	77.6	80.4	78.9	71.9	59.5	44.3	30.6	55.8
	<i>V</i>	mi/hr	11.0	11.0	11.4	11.9	10.1	8.5	7.6	7.2	8.3	10.1	11.0	10.5	9.8
	<i>I</i>	Btu/ft ² /day	503	764	1135	1476	1718	1933	1904	1668	1348	903	551	422	1194
	<i>P_A</i>	lb/in ²													14.14
Mason City, IA	<i>T_{AN}</i>	°F	7.8	12.9	24.1	35.7	47.4	57.7	61.0	58.6	48.9	37.7	25.5	13.5	35.9
	<i>T_{AX}</i>	°F	23.6	29.0	41.6	57.7	68.9	78.5	81.6	79.4	72.9	59.8	42.9	28.7	55.4
	<i>V</i>	mi/hr	12.3	12.3	12.5	13.2	12.3	10.3	8.7	7.8	9.2	11.0	11.9	11.9	11.2
	<i>I</i>	Btu/ft ² /day	469	722	1111	1479	1707	1902	1944	1678	1308	878	538	388	1177
	<i>P_A</i>	lb/in ²													14.07
Sioux City, IA	<i>T_{AN}</i>	°F	11.0	16.5	26.3	37.9	49.7	59.7	63.9	61.6	51.2	39.2	26.2	15.3	38.2
	<i>T_{AX}</i>	°F	28.9	34.7	46.7	61.1	72.2	81.2	84.4	82.6	76.0	63.0	46.2	32.7	59.1
	<i>V</i>	mi/hr	11.0	11.0	11.4	12.5	11.6	9.6	8.3	7.8	9.2	10.1	10.7	10.7	10.3
	<i>I</i>	Btu/ft ² /day	522	787	1178	1532	1774	2010	2046	1787	1418	982	624	468	1260
	<i>P_A</i>	lb/in ²													14.13
Waterloo, IA	<i>T_{AN}</i>	°F	9.7	15.3	26.2	37.7	49.4	59.7	62.8	60.4	51.0	39.6	27.4	15.3	37.9
	<i>T_{AX}</i>	°F	26.3	31.5	44.6	59.6	70.6	80.0	82.7	80.8	74.7	61.5	45.3	31.2	57.4
	<i>V</i>	mi/hr	10.5	10.7	11.2	11.9	10.5	8.7	7.6	7.2	8.1	9.6	10.3	10.1	9.6
	<i>I</i>	Btu/ft ² /day	505	755	1131	1451	1722	1924	1952	1698	1357	909	554	418	1198
	<i>P_A</i>	lb/in ²													14.24
Concordia, KS	<i>T_{AN}</i>	°F	19.3	23.3	31.9	42.0	52.8	62.7	68.0	66.1	56.5	44.6	32.0	22.1	43.4
	<i>T_{AX}</i>	°F	37.6	43.2	53.9	64.0	73.7	84.3	89.7	87.9	79.3	66.8	51.6	40.0	64.3
	<i>V</i>	mi/hr	10.3	10.7	12.1	12.8	11.2	10.7	10.1	9.4	10.5	10.7	11.0	10.3	10.7
	<i>I</i>	Btu/ft ² /day	701	948	1319	1647	1881	2123	2140	1916	1544	1128	772	608	1394
	<i>P_A</i>	lb/in ²													13.94
Dodge City, KS	<i>T_{AN}</i>	°F	20.8	24.4	31.6	40.9	52.1	61.4	66.7	65.4	56.1	43.7	30.7	22.6	43.0

Location	Symbol	Units	Jan	Feb	Mar	Apr	May	Jun	Jul	Aug	Sep	Oct	Nov	Dec	Annual
	T_{AX}	°F	43.6	48.3	57.2	66.7	76.6	86.0	91.9	89.7	81.5	69.2	55.1	44.6	67.6
	V	mi/hr	12.1	12.8	14.1	14.8	13.6	13.2	12.1	11.4	12.8	12.8	12.5	12.1	13.0
	I	Btu/ft ² /day	816	1068	1439	1786	2049	2230	2272	1980	1636	1239	889	740	1512
	P_A	lb/in ²													13.39
Goodland, KS	T_{AN}	°F	17.7	20.4	27.1	35.3	46.3	56.3	62.0	60.5	50.6	38.1	26.5	18.8	38.3
	T_{AX}	°F	41.8	45.4	54.4	62.7	72.9	83.2	89.2	86.3	78.5	65.6	51.7	42.9	64.5
	V	mi/hr	11.6	12.1	13.2	13.9	13.0	12.3	11.0	10.5	11.4	11.9	11.6	11.6	12.1
	I	Btu/ft ² /day	785	1014	1426	1762	2007	2274	2301	2013	1646	1216	826	681	1496
	P_A	lb/in ²													12.88
Russell, KS	T_{AN}	°F	18.8	22.8	31.4	40.9	52.3	62.4	67.6	66.3	56.5	43.7	30.5	21.3	42.9
	T_{AX}	°F	40.7	45.6	55.6	65.2	75.1	85.6	91.6	89.1	80.7	68.3	53.9	42.3	66.1
	V	mi/hr	11.4	12.1	13.4	14.3	12.8	12.5	11.9	11.2	12.3	12.8	12.3	11.6	12.3
	I	Btu/ft ² /day	739	986	1343	1669	1944	2144	2176	1927	1571	1153	818	655	1427
	P_A	lb/in ²													13.74
Topeka, KS	T_{AN}	°F	20.3	25.1	33.7	44.3	55.0	64.6	69.3	67.4	57.0	45.8	33.8	24.0	45.0
	T_{AX}	°F	39.0	45.3	55.7	65.9	75.4	83.9	89.0	88.5	79.6	68.1	53.9	42.3	65.6
	V	mi/hr	8.1	8.3	9.6	9.8	8.3	7.6	6.7	6.0	6.7	7.4	8.1	7.6	7.8
	I	Btu/ft ² /day	679	944	1277	1574	1809	2027	2069	1864	1497	1102	733	598	1348
	P_A	lb/in ²													14.23
Wichita, KS	T_{AN}	°F	23.1	27.4	35.7	45.2	56.2	65.5	70.3	69.3	60.0	47.7	35.5	25.8	46.8
	T_{AX}	°F	42.2	48.5	57.3	67.0	76.3	85.8	91.3	90.4	81.7	69.6	55.7	44.0	67.5
	V	mi/hr	11.0	11.4	12.8	13.4	11.6	11.6	10.7	10.1	10.7	11.2	11.4	10.7	11.4
	I	Btu/ft ² /day	763	1050	1345	1701	1930	2132	2179	1961	1567	1173	831	666	1442
	P_A	lb/in ²													14.01
Cincinnati, KY	T_{AN}	°F	23.8	26.2	34.1	44.3	53.7	62.5	66.1	65.4	57.4	45.9	36.2	27.4	45.2
	T_{AX}	°F	38.3	42.3	52.2	64.2	72.9	81.2	84.4	84.2	77.5	65.6	52.9	41.4	63.1
	V	mi/hr	9.4	9.6	9.8	9.6	7.8	6.9	6.5	6.3	6.7	7.4	8.7	8.9	8.1
	I	Btu/ft ² /day	553	832	1167	1532	1782	1956	1937	1768	1439	1027	644	487	1260
	P_A	lb/in ²													14.24
Jackson_KY, KY	T_{AN}	°F	27.9	30.5	37.8	47.7	55.4	63.1	66.6	65.7	58.9	48.7	39.6	31.4	47.8
	T_{AX}	°F	43.1	46.9	56.2	67.4	73.7	80.4	83.2	83.4	77.3	67.4	55.9	46.2	65.1
	V	mi/hr	6.0	6.0	6.3	6.3	4.5	3.6	3.4	3.1	3.8	4.3	5.4	5.6	4.9
	I	Btu/ft ² /day	591	831	1165	1534	1745	1909	1882	1752	1416	1060	708	539	1261

Location	Symbol	Units	Jan	Feb	Mar	Apr	May	Jun	Jul	Aug	Sep	Oct	Nov	Dec	Annual
	P_A	lb/in ²													13.98
Lexington, KY	T_{AN}	°F	25.9	28.5	35.9	45.6	55.0	63.4	66.9	65.8	58.3	47.1	37.4	28.9	46.5
	T_{AX}	°F	40.8	44.8	54.2	65.4	73.6	81.8	84.9	84.9	78.3	66.9	54.4	43.5	64.5
	V	mi/hr	9.4	9.2	9.2	9.2	7.6	6.5	6.0	5.8	6.3	7.2	8.3	8.7	7.8
	I	Btu/ft ² /day	571	841	1177	1572	1814	1963	1925	1782	1444	1079	688	517	1281
	P_A	lb/in ²													14.18
Louisville, KY	T_{AN}	°F	27.7	30.5	38.2	48.2	57.8	66.8	70.3	69.4	61.2	49.7	39.7	30.9	49.2
	T_{AX}	°F	42.3	46.8	56.6	67.9	76.0	84.1	87.3	87.4	80.6	69.2	56.6	44.9	66.7
	V	mi/hr	8.9	8.9	8.9	8.9	7.6	6.9	6.7	6.3	6.3	6.7	7.8	8.1	7.6
	I	Btu/ft ² /day	595	895	1206	1563	1816	1982	1963	1811	1471	1073	692	520	1299
	P_A	lb/in ²													14.45
Paducah, KY	T_{AN}	°F	27.4	30.6	38.3	47.8	57.2	65.7	69.1	66.8	58.2	47.5	38.2	30.0	48.1
	T_{AX}	°F	43.4	48.5	58.3	69.0	77.5	85.4	88.3	88.2	81.5	70.6	57.3	46.0	67.8
	V	mi/hr	8.3	8.3	8.9	8.5	6.9	5.8	5.4	4.7	5.1	6.0	7.4	7.8	6.9
	I	Btu/ft ² /day	630	893	1224	1607	1820	2017	2031	1888	1494	1121	726	556	1334
	P_A	lb/in ²													14.47
Baton Rouge, LA	T_{AN}	°F	42.2	44.5	50.5	56.9	65.5	71.4	73.9	73.2	68.6	58.1	48.2	42.8	58.0
	T_{AX}	°F	61.6	65.2	71.4	78.0	85.0	89.4	90.9	91.3	87.6	79.7	70.1	63.1	77.8
	V	mi/hr	7.2	7.4	7.4	7.4	6.5	5.4	4.9	4.5	5.1	5.4	5.8	6.5	6.0
	I	Btu/ft ² /day	822	1075	1375	1736	1894	1914	1896	1813	1553	1291	983	784	1428
	P_A	lb/in ²													14.66
Lake Charles, LA	T_{AN}	°F	43.4	46.1	52.1	59.0	67.5	73.4	75.4	74.6	69.9	60.3	50.5	44.6	59.7
	T_{AX}	°F	61.4	64.7	70.8	77.2	84.2	89.0	90.6	91.2	87.8	80.3	70.5	63.3	77.6
	V	mi/hr	8.7	8.9	8.9	8.7	7.4	6.3	5.4	5.1	6.5	7.2	7.6	8.5	7.4
	I	Btu/ft ² /day	833	1046	1395	1727	1920	1977	1930	1825	1575	1321	987	786	1443
	P_A	lb/in ²													14.68
New Orleans, LA	T_{AN}	°F	45.7	48.1	53.8	60.5	68.6	73.9	75.7	75.6	72.7	63.4	52.9	46.9	61.5
	T_{AX}	°F	61.8	65.1	70.9	77.5	84.7	88.9	90.6	90.4	87.0	79.5	70.5	63.6	77.5
	V	mi/hr	9.2	9.2	9.4	9.4	8.1	6.5	5.8	5.8	7.4	8.1	8.1	8.7	8.1
	I	Btu/ft ² /day	873	1114	1454	1798	1964	1928	1856	1791	1570	1328	1038	827	1462
	P_A	lb/in ²													14.69
Shreveport, LA	T_{AN}	°F	38.2	41.3	47.8	54.9	64.3	70.9	74.0	73.4	67.2	56.1	46.0	39.2	56.1
	T_{AX}	°F	57.2	61.4	68.5	76.1	83.3	89.6	92.9	93.3	87.6	77.8	66.5	58.4	76.0

Location	Symbol	Units	Jan	Feb	Mar	Apr	May	Jun	Jul	Aug	Sep	Oct	Nov	Dec	Annual
Alpena, MI	T_{AN}	°F	12.7	12.1	19.8	31.5	41.4	51.3	56.1	54.7	47.4	37.7	29.3	19.4	34.4
	T_{AX}	°F	26.9	29.1	38.3	51.6	63.9	74.3	78.0	76.8	69.1	56.1	43.1	32.3	53.3
	V	mi/hr	8.3	8.3	8.3	8.7	7.8	6.5	6.3	6.0	6.7	7.4	7.8	7.8	7.4
	I	Btu/ft ² /day	401	653	1103	1457	1771	1948	1896	1632	1232	752	439	346	1136
	P_A	lb/in ²													14.33
Detroit Metro_AP, MI	T_{AN}	°F	19.6	21.6	28.8	39.9	49.9	60.5	64.1	63.4	55.2	44.0	34.6	24.9	42.2
	T_{AX}	°F	31.9	34.9	45.4	58.7	69.1	78.9	82.3	80.7	73.7	61.4	48.1	36.1	58.4
	V	mi/hr	11.0	10.3	10.1	10.3	8.9	8.1	8.1	7.2	7.6	9.2	10.1	10.3	9.2
	I	Btu/ft ² /day	479	755	1117	1442	1738	1922	1896	1620	1332	861	510	400	1173
	P_A	lb/in ²													14.36
Detroit - City, MI	T_{AN}	°F	20.9	22.5	29.3	40.1	50.3	61.1	65.5	64.6	56.6	45.4	35.8	26.1	43.2
	T_{AX}	°F	32.3	35.3	45.0	58.1	68.9	79.0	82.8	81.0	73.8	61.2	48.1	36.5	58.5
	V	mi/hr	10.1	9.8	9.6	9.8	8.7	7.6	7.6	6.9	7.4	8.5	9.2	9.6	8.7
	I	Btu/ft ² /day	469	746	1120	1437	1711	1884	1850	1585	1316	870	507	409	1159
	P_A	lb/in ²													14.36
Flint, MI	T_{AN}	°F	16.7	18.2	25.7	36.6	46.6	56.9	60.0	59.1	50.8	40.8	32.0	22.3	38.8
	T_{AX}	°F	29.8	33.0	43.4	57.1	68.1	77.9	81.1	79.4	72.4	59.7	46.5	34.4	56.9
	V	mi/hr	10.3	10.3	10.3	10.5	9.2	7.6	7.4	6.9	7.6	8.9	9.6	9.6	8.9
	I	Btu/ft ² /day	440	713	1104	1474	1747	1947	1921	1635	1309	839	491	394	1168
	P_A	lb/in ²													14.29
Grand Rapids, MI	T_{AN}	°F	18.2	19.7	26.7	37.5	47.8	58.0	61.7	60.8	52.4	41.8	32.6	23.7	40.1
	T_{AX}	°F	29.8	32.8	43.4	57.2	68.2	77.9	81.1	79.4	72.2	59.5	46.1	34.4	56.8
	V	mi/hr	11.0	10.5	10.5	11.0	9.8	8.3	8.1	7.4	7.8	9.4	10.1	10.3	9.6
	I	Btu/ft ² /day	405	684	1109	1461	1746	1943	1913	1635	1306	819	487	367	1156
	P_A	lb/in ²													14.27
Houghton Lake, MI	T_{AN}	°F	12.3	12.3	20.3	32.1	42.9	52.2	55.7	54.2	46.6	37.7	29.0	19.2	34.5
	T_{AX}	°F	26.1	29.1	39.7	53.5	65.5	75.5	78.6	76.9	69.1	55.8	42.3	31.0	53.6
	V	mi/hr	8.7	8.3	8.3	9.2	8.3	6.9	6.7	6.5	6.9	8.1	8.7	8.7	7.8
	I	Btu/ft ² /day	401	646	1089	1462	1708	1894	1874	1593	1219	763	439	363	1121
	P_A	lb/in ²													14.10
Lansing, MI	T_{AN}	°F	16.5	17.9	25.4	36.2	46.2	56.4	59.5	58.7	50.3	40.4	31.7	22.1	38.4
	T_{AX}	°F	29.8	32.9	43.6	57.3	67.9	77.7	81.0	79.2	72.3	59.6	46.3	34.3	56.8
	V	mi/hr	10.3	10.1	9.8	10.1	8.9	7.6	7.4	6.7	7.2	8.7	9.6	10.1	8.9

Location	Symbol	Units	Jan	Feb	Mar	Apr	May	Jun	Jul	Aug	Sep	Oct	Nov	Dec	Annual
	<i>I</i>	Btu/ft ² /day	459	729	1109	1441	1707	1905	1863	1595	1303	833	494	398	1153
	<i>P_A</i>	lb/in ²													14.26
Muskegon, MI	<i>T_{AN}</i>	°F	20.2	20.8	26.7	37.0	46.7	56.7	61.3	60.8	52.4	42.6	33.7	25.2	40.3
	<i>T_{AX}</i>	°F	30.6	33.1	42.5	55.2	65.9	75.3	78.9	77.9	70.9	58.5	45.9	35.2	55.8
	<i>V</i>	mi/hr	11.2	10.7	10.3	10.7	9.4	8.3	8.1	7.8	8.3	9.8	11.0	11.0	9.6
	<i>I</i>	Btu/ft ² /day	391	659	1102	1479	1775	1986	1962	1671	1290	809	451	339	1160
	<i>P_A</i>	lb/in ²													14.36
Sault Ste Marie, MI	<i>T_{AN}</i>	°F	8.1	9.5	18.2	30.9	40.9	49.8	54.8	55.0	48.4	38.3	28.5	17.0	33.3
	<i>T_{AX}</i>	°F	22.2	25.2	34.2	47.8	61.1	70.8	74.2	73.8	65.8	52.4	39.6	29.0	49.7
	<i>V</i>	mi/hr	7.8	7.8	8.1	8.7	8.5	7.2	6.9	6.7	7.2	7.8	8.5	8.1	7.8
	<i>I</i>	Btu/ft ² /day	357	617	1042	1473	1794	1962	1837	1611	1128	677	378	291	1097
	<i>P_A</i>	lb/in ²													14.32
Traverse City, MI	<i>T_{AN}</i>	°F	17.0	16.5	23.3	33.3	43.2	54.2	58.7	58.2	51.0	40.9	31.7	22.8	37.6
	<i>T_{AX}</i>	°F	28.3	30.6	40.3	53.7	65.6	75.9	79.4	78.0	70.4	57.5	44.3	33.4	54.8
	<i>V</i>	mi/hr	8.3	8.3	7.6	8.1	6.9	6.3	6.5	6.0	6.5	7.6	8.1	7.8	7.4
	<i>I</i>	Btu/ft ² /day	403	648	1101	1462	1756	1921	1874	1619	1210	725	405	339	1122
	<i>P_A</i>	lb/in ²													14.37
Duluth, MN	<i>T_{AN}</i>	°F	2.6	7.1	18.2	30.7	41.4	50.6	55.9	55.4	47.2	35.7	23.0	9.4	31.4
	<i>T_{AX}</i>	°F	18.5	23.9	34.3	48.0	61.0	69.8	74.7	73.6	64.7	51.0	35.6	23.0	48.2
	<i>V</i>	mi/hr	10.5	10.3	10.5	11.0	10.7	9.4	8.7	8.7	9.6	10.5	10.7	10.3	10.1
	<i>I</i>	Btu/ft ² /day	461	707	1083	1499	1770	1844	1899	1627	1179	724	441	365	1133
	<i>P_A</i>	lb/in ²													13.95
International Falls, MN	<i>T_{AN}</i>	°F	-4.5	0.3	13.7	28.4	39.8	50.0	53.4	51.8	43.2	32.5	19.4	3.7	27.6
	<i>T_{AX}</i>	°F	15.0	21.9	34.5	50.4	63.3	72.4	76.2	75.0	65.4	50.6	33.8	20.0	48.2
	<i>V</i>	mi/hr	7.8	7.8	8.5	8.5	8.7	7.6	6.9	6.7	7.6	8.3	8.3	7.6	7.8
	<i>I</i>	Btu/ft ² /day	402	667	1041	1501	1708	1788	1807	1574	1102	657	375	300	1077
	<i>P_A</i>	lb/in ²													14.08
Minneapolis-St Paul, MN	<i>T_{AN}</i>	°F	8.3	13.6	24.6	37.9	49.6	59.7	64.5	62.5	53.3	40.9	27.5	14.4	38.1
	<i>T_{AX}</i>	°F	22.8	28.5	40.6	56.7	68.3	77.8	81.9	79.8	71.5	57.8	41.0	27.7	54.5
	<i>V</i>	mi/hr	9.4	9.4	9.8	10.7	10.3	9.2	8.5	8.3	9.2	9.8	9.6	9.2	9.4
	<i>I</i>	Btu/ft ² /day	490	752	1116	1476	1712	1856	1930	1655	1265	814	501	389	1163
	<i>P_A</i>	lb/in ²													14.26
Rochester_MN, MN	<i>T_{AN}</i>	°F	7.3	12.2	23.6	36.0	47.4	57.5	60.7	58.8	50.1	38.6	26.2	13.3	36.0

Location	Symbol	Units	Jan	Feb	Mar	Apr	May	Jun	Jul	Aug	Sep	Oct	Nov	Dec	Annual
	T_{AX}	°F	21.8	26.8	39.1	55.3	67.0	76.4	79.0	77.0	70.3	57.4	40.7	27.1	53.2
	V	mi/hr	13.0	13.0	13.0	13.4	12.8	10.7	9.6	8.9	10.3	11.6	12.8	13.0	11.9
	I	Btu/ft ² /day	474	708	1106	1489	1709	1891	1955	1664	1286	848	513	384	1169
	P_A	lb/in ²													14.01
St Cloud, MN	T_{AN}	°F	2.8	7.8	20.1	33.1	44.5	54.8	58.6	56.5	47.6	35.9	23.1	9.6	32.9
	T_{AX}	°F	20.4	26.3	38.2	55.0	67.6	76.4	80.7	78.8	70.3	56.2	38.9	25.4	52.9
	V	mi/hr	8.3	8.3	8.7	9.4	9.2	7.8	6.7	6.5	7.4	8.5	8.5	8.3	8.1
	I	Btu/ft ² /day	453	700	1094	1527	1754	1906	1967	1669	1259	802	481	367	1165
	P_A	lb/in ²													14.16
Jackson, MS	T_{AN}	°F	37.0	39.3	45.9	53.3	62.5	69.2	72.1	71.4	65.5	53.9	43.9	37.9	54.3
	T_{AX}	°F	56.5	60.8	68.1	75.7	83.0	89.0	91.1	91.2	86.5	77.1	66.3	58.1	75.3
	V	mi/hr	6.7	6.9	7.2	6.7	5.6	4.7	4.0	4.0	5.1	5.1	5.4	6.3	5.6
	I	Btu/ft ² /day	783	1039	1369	1762	1929	2025	1969	1849	1576	1262	922	726	1434
	P_A	lb/in ²													14.53
Meridian, MS	T_{AN}	°F	35.8	38.1	44.5	51.5	60.8	67.8	70.8	70.2	64.2	52.5	42.5	36.9	53.0
	T_{AX}	°F	57.1	61.4	68.8	76.2	83.4	88.8	91.4	91.1	86.5	77.3	66.9	58.5	75.6
	V	mi/hr	6.9	7.2	7.4	6.9	5.8	4.9	4.5	4.3	5.1	5.1	5.6	6.3	5.8
	I	Btu/ft ² /day	783	1044	1380	1726	1918	1989	1945	1823	1544	1252	924	727	1421
	P_A	lb/in ²													14.53
Tupelo, MS	T_{AN}	°F	33.2	35.9	43.0	51.0	60.2	68.1	71.5	70.6	63.4	51.6	42.0	34.8	52.1
	T_{AX}	°F	51.3	55.8	64.3	73.0	80.6	87.4	90.1	90.1	84.2	74.2	62.9	52.8	72.2
	V	mi/hr	7.6	7.8	8.1	7.6	6.3	5.4	4.7	4.7	5.6	5.6	6.0	6.9	6.3
	I	Btu/ft ² /day	730	964	1309	1682	1912	2026	1990	1849	1536	1201	832	648	1390
	P_A	lb/in ²													14.50
Columbia_MO, MO	T_{AN}	°F	21.4	26.0	34.2	44.8	54.6	63.3	67.3	65.9	56.7	46.0	35.4	25.3	45.1
	T_{AX}	°F	37.6	43.9	54.5	65.4	74.0	82.2	86.6	86.5	77.8	66.7	53.2	41.4	64.2
	V	mi/hr	10.3	10.5	11.2	11.2	9.2	8.1	7.4	7.2	7.8	9.2	10.1	10.1	9.4
	I	Btu/ft ² /day	629	886	1251	1575	1808	2033	2027	1823	1490	1070	690	556	1320
	P_A	lb/in ²													14.23
Kansas City, MO	T_{AN}	°F	20.4	25.2	33.9	44.9	55.1	64.3	68.8	67.5	57.6	46.8	34.9	24.5	45.3
	T_{AX}	°F	37.1	43.4	54.2	64.8	74.2	82.7	87.2	86.8	78.1	66.5	52.5	40.8	64.0
	V	mi/hr	10.7	10.7	11.9	12.3	10.3	9.6	8.7	8.5	9.2	10.3	10.7	10.5	10.3
	I	Btu/ft ² /day	641	929	1273	1566	1815	1999	2028	1823	1488	1074	701	566	1325

06/2020

Liquid Storage Tanks

7.1-120

Location	Symbol	Units	Jan	Feb	Mar	Apr	May	Jun	Jul	Aug	Sep	Oct	Nov	Dec	Annual
	P_A	lb/in ²													14.18
Springfield_MO, MO	T_{AN}	°F	24.3	28.5	35.8	45.6	55.5	63.9	68.3	67.3	58.2	47.3	36.6	27.1	46.5
	T_{AX}	°F	42.3	48.2	56.8	66.6	74.5	82.9	87.4	87.9	79.2	68.4	55.7	44.8	66.2
	V	mi/hr	9.8	10.1	11.0	10.7	8.9	8.1	7.2	7.2	7.8	8.9	9.8	9.8	9.2
	I	Btu/ft ² /day	677	929	1242	1593	1783	1996	2030	1868	1494	1129	742	601	1340
	P_A	lb/in ²													14.04
St Louis - Lambert, MO	T_{AN}	°F	24.6	28.7	37.2	47.9	58.2	67.2	71.3	70.0	60.9	49.6	38.5	28.5	48.5
	T_{AX}	°F	39.2	45.1	55.5	67.0	75.7	84.3	88.1	87.3	79.4	68.2	54.7	42.8	65.6
	V	mi/hr	9.8	10.1	10.5	10.5	9.2	8.1	7.6	7.2	7.4	8.5	9.4	9.6	8.9
	I	Btu/ft ² /day	598	882	1217	1557	1765	2007	1978	1802	1471	1076	703	537	1299
	P_A	lb/in ²													14.39
St Louis - Spirit, MO	T_{AN}	°F	22.6	26.7	34.6	44.9	55.0	63.9	67.9	66.0	56.3	45.4	35.4	26.2	45.4
	T_{AX}	°F	39.6	45.5	56.3	67.5	75.8	84.1	88.0	87.2	79.4	68.6	55.3	43.3	65.9
	V	mi/hr	8.1	8.1	8.5	8.7	6.7	5.8	5.4	4.9	4.9	6.3	7.4	7.4	6.9
	I	Btu/ft ² /day	604	888	1226	1570	1763	2009	1992	1811	1467	1073	694	545	1303
	P_A	lb/in ²													14.45
Billings, MT	T_{AN}	°F	18.0	21.8	27.3	35.2	44.2	52.5	59.6	58.0	48.8	37.7	27.3	19.6	37.5
	T_{AX}	°F	34.9	40.1	48.0	56.1	66.4	75.1	85.7	84.8	73.0	58.1	44.8	35.3	58.5
	V	mi/hr	12.8	11.6	10.7	10.5	9.8	9.4	8.9	8.9	9.4	10.5	11.9	12.5	10.5
	I	Btu/ft ² /day	478	784	1148	1514	1883	2048	2221	1912	1424	903	544	398	1271
	P_A	lb/in ²													12.92
Glasgow, MT	T_{AN}	°F	3.8	9.8	20.6	32.3	42.2	51.5	57.4	56.3	45.6	32.9	19.9	8.3	31.7
	T_{AX}	°F	21.7	28.4	41.4	56.4	66.5	74.7	83.9	83.7	72.1	55.9	39.4	26.3	54.2
	V	mi/hr	9.4	9.4	11.0	12.1	12.1	11.0	10.1	10.7	10.3	10.3	9.6	9.4	10.5
	I	Btu/ft ² /day	366	628	1068	1545	1889	2051	2180	1872	1340	834	444	311	1211
	P_A	lb/in ²													13.53
Great Falls, MT	T_{AN}	°F	15.9	18.8	23.7	31.6	39.9	47.0	53.0	51.7	44.0	34.2	25.2	17.7	33.5
	T_{AX}	°F	34.1	38.1	45.2	53.9	63.7	71.1	82.7	81.5	70.5	56.5	42.7	35.0	56.2
	V	mi/hr	13.4	11.9	11.9	11.2	10.5	9.8	8.9	8.9	10.1	11.9	13.4	13.6	11.4
	I	Btu/ft ² /day	428	706	1106	1450	1806	2001	2163	1857	1360	840	465	358	1212
	P_A	lb/in ²													12.88
Harve City, MT	T_{AN}	°F	6.4	12.0	20.7	31.4	40.8	48.9	54.1	52.5	42.6	31.1	20.4	9.9	30.9
	T_{AX}	°F	26.6	33.1	43.8	56.9	66.4	74.0	84.3	83.5	72.0	57.3	41.6	30.6	55.8

06/2020

Liquid Storage Tanks

7.1-122

Location	Symbol	Units	Jan	Feb	Mar	Apr	May	Jun	Jul	Aug	Sep	Oct	Nov	Dec	Annual
North Platte, NE	T_{AN}	°F	12.7	16.5	24.5	34.2	45.3	55.5	61.7	59.7	48.3	35.0	22.3	14.1	35.8
	T_{AX}	°F	38.7	43.0	52.1	60.8	71.1	80.7	87.2	85.1	77.3	63.7	49.9	40.0	62.5
	V	mi/hr	8.3	8.9	10.3	11.4	10.3	9.4	8.5	8.1	8.9	8.9	8.7	8.3	9.2
	I	Btu/ft ² /day	666	938	1324	1642	1899	2170	2191	1905	1546	1097	710	587	1390
	P_A	lb/in ²													13.29
Omaha, NE	T_{AN}	°F	14.2	19.5	28.8	40.7	52.0	62.1	67.0	64.8	54.6	42.7	29.8	18.9	41.3
	T_{AX}	°F	31.7	37.7	49.9	62.7	73.0	82.3	86.2	84.4	77.2	64.5	48.4	35.9	61.2
	V	mi/hr	10.1	10.3	11.2	11.9	10.5	9.4	8.3	8.1	8.9	9.6	10.1	9.8	9.8
	I	Btu/ft ² /day	582	852	1204	1512	1776	1992	2001	1749	1447	1007	646	506	1273
	P_A	lb/in ²													14.18
Scottsbluff, NE	T_{AN}	°F	14.8	17.7	24.6	32.6	43.5	52.9	59.1	57.1	46.2	33.7	22.5	14.9	35.0
	T_{AX}	°F	39.8	44.0	52.2	60.0	70.8	80.8	88.7	86.5	77.2	63.0	49.2	40.1	62.7
	V	mi/hr	9.6	10.3	11.0	11.4	11.0	9.8	8.5	8.3	8.3	9.2	9.4	9.4	9.6
	I	Btu/ft ² /day	672	923	1295	1647	1955	2180	2261	1963	1571	1089	715	559	1403
	P_A	lb/in ²													12.75
Valentine, NE	T_{AN}	°F	11.5	15.7	23.8	33.8	44.6	54.7	60.8	59.2	48.3	34.8	22.2	13.5	35.2
	T_{AX}	°F	35.5	39.5	48.6	58.8	69.9	79.4	87.3	86.1	76.7	62.0	47.4	37.2	60.7
	V	mi/hr	9.4	9.8	10.5	11.4	11.4	10.3	9.2	9.6	10.3	10.1	9.8	9.6	10.1
	I	Btu/ft ² /day	601	853	1215	1539	1862	2066	2187	1883	1496	1011	643	514	1322
	P_A	lb/in ²													13.39
Ely, NV	T_{AN}	°F	13.1	16.9	22.9	27.7	34.4	42.0	49.2	48.1	38.7	28.9	19.8	12.6	29.5
	T_{AX}	°F	38.9	41.6	49.8	56.0	67.0	77.7	86.9	84.6	75.6	62.1	48.1	38.8	60.6
	V	mi/hr	9.2	8.9	9.6	9.8	9.4	9.6	9.4	9.6	9.2	9.2	8.7	8.9	9.4
	I	Btu/ft ² /day	724	1006	1454	1843	2146	2418	2371	2173	1800	1303	875	669	1565
	P_A	lb/in ²													11.72
Las Vegas, NV	T_{AN}	°F	39.4	43.2	49.2	55.6	65.8	74.3	81.2	79.8	71.4	58.7	46.3	38.7	58.6
	T_{AX}	°F	57.6	61.9	69.8	77.1	88.2	97.7	103.7	101.8	94.0	80.2	66.0	56.3	79.5
	V	mi/hr	6.5	7.2	8.7	10.3	10.1	10.1	8.9	8.5	7.8	7.2	6.5	6.5	8.3
	I	Btu/ft ² /day	965	1244	1732	2164	2466	2628	2439	2202	1938	1479	1093	885	1769
	P_A	lb/in ²													13.60
Lovelock, NV	T_{AN}	°F	20.8	25.3	29.2	35.2	44.8	51.9	58.3	54.6	45.3	35.2	24.4	19.3	37.0
	T_{AX}	°F	43.4	50.5	59.3	64.7	75.4	84.8	95.4	92.8	83.9	69.3	53.9	43.4	68.1
	V	mi/hr	4.9	6.0	7.4	8.3	8.5	8.3	7.6	6.9	6.0	5.8	5.1	4.7	6.7

Location	Symbol	Units	Jan	Feb	Mar	Apr	May	Jun	Jul	Aug	Sep	Oct	Nov	Dec	Annual
	<i>I</i>	Btu/ft ² /day	687	992	1414	1822	2189	2471	2533	2252	1833	1274	802	587	1571
	<i>P_A</i>	lb/in ²													12.76
Mercury, NV	<i>T_{AN}</i>	°F	35.1	38.2	42.8	48.2	57.9	66.2	73.7	72.4	64.0	52.0	41.1	34.2	52.2
	<i>T_{AX}</i>	°F	55.2	58.3	65.8	72.0	82.9	92.2	99.0	97.3	89.6	76.4	63.3	54.1	75.5
	<i>V</i>	mi/hr	8.3	8.5	9.2	10.3	9.8	10.1	9.2	9.2	8.3	8.1	8.1	8.1	8.9
	<i>I</i>	Btu/ft ² /day	937	1212	1714	2151	2464	2664	2527	2313	1977	1482	1077	860	1781
	<i>P_A</i>	lb/in ²													13.16
Reno, NV	<i>T_{AN}</i>	°F	25.1	28.6	32.8	37.0	45.5	52.3	59.2	56.7	48.7	39.0	30.0	25.1	40.0
	<i>T_{AX}</i>	°F	45.5	50.3	57.7	62.3	72.6	81.9	91.7	89.7	81.8	68.5	54.8	45.2	66.8
	<i>V</i>	mi/hr	4.7	5.6	6.9	8.3	7.8	7.6	7.2	6.5	5.4	4.7	4.9	5.1	6.3
	<i>I</i>	Btu/ft ² /day	715	992	1471	1889	2232	2473	2512	2249	1854	1310	859	633	1599
	<i>P_A</i>	lb/in ²													12.53
Tonopah, NV	<i>T_{AN}</i>	°F	21.9	25.6	29.9	34.9	44.2	52.3	58.8	56.8	49.1	38.4	27.5	20.2	38.3
	<i>T_{AX}</i>	°F	44.5	48.3	56.5	62.7	73.5	83.5	91.4	89.2	80.6	67.6	53.7	43.8	66.3
	<i>V</i>	mi/hr	8.9	9.6	10.7	11.6	10.7	10.3	9.2	9.2	8.9	9.4	9.2	8.7	9.6
	<i>I</i>	Btu/ft ² /day	828	1128	1629	2056	2344	2586	2507	2304	1922	1430	997	779	1709
	<i>P_A</i>	lb/in ²													12.08
Winnemucca, NV	<i>T_{AN}</i>	°F	20.5	24.4	27.5	31.4	39.4	46.3	53.5	49.9	40.7	30.5	23.1	18.8	33.8
	<i>T_{AX}</i>	°F	41.4	47.0	55.3	60.4	71.3	81.5	92.8	90.4	81.1	66.1	51.3	41.1	65.0
	<i>V</i>	mi/hr	7.2	7.6	8.1	8.3	8.3	8.3	7.6	7.4	6.9	6.7	6.7	7.2	7.6
	<i>I</i>	Btu/ft ² /day	652	964	1380	1762	2147	2437	2523	2232	1795	1248	760	555	1538
	<i>P_A</i>	lb/in ²													12.57
Concord, NH	<i>T_{AN}</i>	°F	12.3	14.6	23.2	33.2	43.2	53.8	58.5	57.1	48.4	36.8	29.0	18.8	35.7
	<i>T_{AX}</i>	°F	30.5	34.0	43.0	57.0	68.1	77.0	81.4	80.6	72.3	59.8	47.8	36.3	57.3
	<i>V</i>	mi/hr	6.7	7.4	7.4	7.2	6.3	5.6	5.1	4.7	4.9	5.6	5.6	6.5	6.0
	<i>I</i>	Btu/ft ² /day	535	803	1097	1469	1684	1801	1844	1644	1267	869	556	446	1168
	<i>P_A</i>	lb/in ²													14.50
Atlantic City, NJ	<i>T_{AN}</i>	°F	25.5	25.9	32.7	41.9	50.5	61.0	66.5	65.0	57.5	45.6	37.1	28.7	44.8
	<i>T_{AX}</i>	°F	42.4	44.0	51.4	62.0	71.0	79.9	84.8	83.4	76.9	66.2	55.9	46.1	63.7
	<i>V</i>	mi/hr	9.8	10.1	10.5	10.3	8.7	7.8	7.4	6.7	7.4	7.6	8.5	9.4	8.7
	<i>I</i>	Btu/ft ² /day	646	924	1224	1581	1800	1935	1927	1733	1394	1048	720	578	1292
	<i>P_A</i>	lb/in ²													14.66
Newark, NJ	<i>T_{AN}</i>	°F	26.3	27.7	34.8	44.8	54.1	64.3	69.5	68.6	60.9	49.0	40.3	31.0	47.6

Location	Symbol	Units	Jan	Feb	Mar	Apr	May	Jun	Jul	Aug	Sep	Oct	Nov	Dec	Annual
	T_{AX}	°F	39.6	42.1	50.5	62.0	72.0	81.3	85.7	84.2	76.7	65.2	54.6	43.8	63.1
	V	mi/hr	11.0	11.2	11.2	10.5	9.6	9.2	8.9	8.5	8.9	9.4	9.8	10.7	9.8
	I	Btu/ft ² /day	602	887	1195	1502	1748	1854	1838	1629	1324	975	638	521	1226
	P_A	lb/in ²													14.69
Albuquerque, NM	T_{AN}	°F	27.6	31.4	36.4	43.7	53.8	62.3	67.1	65.4	58.6	46.7	35.0	27.5	46.3
	T_{AX}	°F	48.1	53.7	61.2	69.4	79.8	88.8	90.5	87.8	81.4	69.9	56.6	47.1	69.5
	V	mi/hr	7.2	7.8	8.7	9.8	9.4	8.9	7.8	7.4	7.4	7.4	7.2	6.7	8.1
	I	Btu/ft ² /day	1003	1270	1699	2126	2356	2479	2312	2082	1846	1469	1114	904	1722
	P_A	lb/in ²													12.13
Gallup, NM	T_{AN}	°F	14.9	19.5	22.7	28.4	37.5	45.1	54.3	53.3	43.8	30.9	19.9	13.8	32.0
	T_{AX}	°F	44.1	48.7	56.4	64.0	74.3	83.9	87.5	84.3	78.5	67.0	54.2	44.0	65.6
	V	mi/hr	5.4	6.5	7.8	9.4	8.7	8.1	6.7	5.8	5.8	6.0	5.6	5.1	6.7
	I	Btu/ft ² /day	930	1194	1654	2095	2350	2507	2187	1943	1806	1466	1072	825	1669
	P_A	lb/in ²													11.63
Roswell, NM	T_{AN}	°F	27.8	32.5	38.5	46.1	56.4	64.5	68.5	67.0	59.5	47.9	35.2	27.7	47.6
	T_{AX}	°F	55.6	61.3	68.4	77.0	86.1	93.7	93.9	91.9	86.0	76.0	64.0	55.3	75.8
	V	mi/hr	7.6	8.7	9.6	10.5	10.1	10.1	8.5	7.6	7.8	7.8	7.6	7.4	8.7
	I	Btu/ft ² /day	1013	1323	1744	2125	2301	2434	2302	2085	1822	1452	1127	939	1722
	P_A	lb/in ²													12.88
Albany, NY	T_{AN}	°F	16.1	18.1	26.4	37.7	47.7	57.9	62.0	60.9	52.7	40.8	32.5	22.4	39.6
	T_{AX}	°F	31.0	34.1	43.8	57.8	68.7	77.6	81.3	80.0	72.0	59.3	47.7	35.9	57.4
	V	mi/hr	8.5	8.9	9.4	9.2	7.8	6.9	6.7	5.8	6.3	7.2	7.8	8.5	7.8
	I	Btu/ft ² /day	532	789	1096	1496	1739	1853	1872	1640	1300	882	534	422	1180
	P_A	lb/in ²													14.55
Binghamton, NY	T_{AN}	°F	16.6	17.6	25.1	36.3	46.5	56.1	59.9	59.1	51.3	40.9	32.0	22.0	38.6
	T_{AX}	°F	29.2	31.7	40.5	54.1	65.2	73.6	77.1	76.2	68.4	56.4	44.8	33.5	54.2
	V	mi/hr	9.8	9.8	9.8	9.6	8.5	7.8	7.4	6.9	7.8	8.5	8.9	9.6	8.7
	I	Btu/ft ² /day	500	745	1056	1449	1722	1839	1818	1614	1224	833	498	406	1142
	P_A	lb/in ²													13.87
Buffalo, NY	T_{AN}	°F	19.3	19.7	26.5	37.2	47.9	58.4	62.6	61.7	54.2	43.7	34.7	24.9	40.9
	T_{AX}	°F	31.5	32.9	41.3	54.7	66.1	75.3	78.9	78.1	71.1	58.7	47.4	36.1	56.0
	V	mi/hr	12.1	11.6	10.7	10.5	9.8	8.9	8.9	8.1	8.7	9.6	10.5	11.4	10.1
	I	Btu/ft ² /day	447	730	1070	1453	1793	1939	1865	1643	1273	808	478	382	1157

Location	Symbol	Units	Jan	Feb	Mar	Apr	May	Jun	Jul	Aug	Sep	Oct	Nov	Dec	Annual
	P_A	lb/in ²													14.33
Long Island, NY	T_{AN}	°F	24.7	25.3	31.8	41.1	50.1	60.7	66.5	65.6	58.1	46.1	38.0	29.4	44.8
	T_{AX}	°F	38.9	40.4	47.3	58.0	67.6	76.6	81.8	80.5	73.8	63.2	53.3	43.9	60.5
	V	mi/hr	10.1	10.3	10.5	10.1	8.9	8.3	7.8	7.4	8.1	8.5	9.2	9.8	8.9
	I	Btu/ft ² /day	591	878	1196	1527	1785	1896	1890	1694	1347	988	643	518	1246
	P_A	lb/in ²													14.65
Massena, NY	T_{AN}	°F	6.6	8.0	19.5	33.8	44.8	54.8	59.3	57.2	48.9	38.2	28.6	16.0	34.6
	T_{AX}	°F	24.3	27.4	37.9	53.7	66.9	75.7	79.4	78.1	70.1	56.5	44.2	31.3	53.8
	V	mi/hr	8.7	8.5	8.7	8.9	7.8	6.7	6.5	5.8	6.3	7.6	8.3	8.5	7.6
	I	Btu/ft ² /day	445	741	1072	1452	1753	1876	1865	1646	1236	764	449	348	1137
	P_A	lb/in ²													14.58
New York-LaGuardia, NY	T_{AN}	°F	28.3	29.4	35.9	45.7	55.1	65.4	71.0	70.5	63.7	52.4	43.3	33.6	49.5
	T_{AX}	°F	39.6	41.6	49.0	60.5	70.3	79.8	84.7	83.2	75.9	64.7	54.1	44.1	62.3
	V	mi/hr	12.8	12.8	12.8	11.6	10.7	10.1	9.6	9.4	10.3	10.7	11.6	12.5	11.2
	I	Btu/ft ² /day	583	863	1154	1499	1760	1878	1859	1636	1314	962	627	511	1220
	P_A	lb/in ²													14.69
New York-Kennedy, NY	T_{AN}	°F	27.1	28.1	34.6	43.9	53.0	63.1	68.9	68.3	61.5	50.1	41.2	32.0	47.6
	T_{AX}	°F	39.2	41.0	48.2	58.5	67.8	77.2	82.4	81.4	75.0	63.8	53.5	43.6	61.0
	V	mi/hr	12.5	12.8	12.8	11.9	10.5	10.1	9.8	9.4	9.8	10.7	11.4	12.8	11.2
	I	Btu/ft ² /day	588	861	1175	1516	1760	1898	1867	1661	1328	969	630	513	1231
	P_A	lb/in ²													14.68
Rochester, NY	T_{AN}	°F	18.7	19.3	26.4	37.2	47.0	57.1	61.2	60.3	52.7	42.4	33.7	24.4	40.0
	T_{AX}	°F	31.9	33.8	42.1	55.6	67.1	76.4	80.0	78.8	71.5	59.3	47.7	36.6	56.7
	V	mi/hr	10.7	10.5	10.3	10.1	8.9	8.1	7.8	7.2	7.6	8.7	9.4	10.3	9.2
	I	Btu/ft ² /day	463	719	1059	1432	1759	1886	1849	1621	1242	788	480	385	1140
	P_A	lb/in ²													14.37
Syracuse, NY	T_{AN}	°F	17.0	18.0	25.7	36.9	47.0	57.2	61.7	60.6	52.7	42.2	33.5	23.4	39.7
	T_{AX}	°F	31.3	33.2	42.1	56.5	68.0	77.1	80.6	79.7	72.0	59.4	47.9	36.4	57.0
	V	mi/hr	9.8	9.6	9.4	9.2	8.1	7.2	7.2	6.5	7.2	7.8	8.7	9.6	8.3
	I	Btu/ft ² /day	457	685	1033	1468	1797	1896	1884	1651	1246	801	472	380	1147
	P_A	lb/in ²													14.47
Asheville, NC	T_{AN}	°F	28.4	30.3	36.1	44.0	52.3	60.3	64.0	63.5	56.7	45.2	36.0	29.7	45.6
	T_{AX}	°F	47.5	50.3	57.7	67.3	74.0	80.0	83.0	82.1	76.2	67.4	57.9	48.8	66.0

06/2020

Liquid Storage Tanks

7.1-127

Location	Symbol	Units	Jan	Feb	Mar	Apr	May	Jun	Jul	Aug	Sep	Oct	Nov	Dec	Annual
Minot, ND	T_{AN}	°F	3.5	8.8	19.3	32.1	43.3	53.4	58.2	56.2	47.0	34.4	20.9	8.9	32.2
	T_{AX}	°F	19.4	24.9	36.4	53.9	65.4	73.7	80.2	80.5	70.1	54.4	36.7	23.9	51.6
	V	mi/hr	12.1	11.6	11.6	11.4	11.9	10.5	9.6	9.8	10.5	11.6	11.9	12.1	11.2
	I	Btu/ft ² /day	380	628	1069	1537	1781	1928	2042	1735	1249	793	433	299	1156
	P_A	lb/in ²													13.81
Williston, ND	T_{AN}	°F	0.5	7.4	18.4	30.9	40.9	50.6	56.6	54.9	43.8	31.3	18.1	6.0	29.9
	T_{AX}	°F	20.3	26.9	39.3	55.5	66.0	74.9	82.9	82.8	71.5	55.2	37.7	25.0	53.2
	V	mi/hr	8.3	8.5	9.2	10.1	10.3	9.4	8.3	8.7	8.7	8.9	8.5	8.5	8.9
	I	Btu/ft ² /day	369	634	1067	1545	1838	2010	2154	1817	1312	813	445	311	1193
	P_A	lb/in ²													13.72
Akron, OH	T_{AN}	°F	20.1	21.7	29.0	39.7	49.2	58.9	62.5	61.5	53.9	43.0	34.1	24.7	41.5
	T_{AX}	°F	33.4	36.1	46.0	59.6	69.0	77.8	81.3	80.1	72.8	60.8	48.5	36.9	58.5
	V	mi/hr	10.7	10.5	10.3	10.1	8.7	7.6	7.4	6.7	7.4	8.5	9.6	10.3	8.9
	I	Btu/ft ² /day	490	720	1075	1421	1683	1840	1859	1645	1327	892	538	432	1160
	P_A	lb/in ²													14.07
Cleveland, OH	T_{AN}	°F	21.6	23.2	29.8	40.4	50.0	60.1	64.1	63.2	55.8	45.3	36.3	26.4	43.0
	T_{AX}	°F	34.2	36.7	45.2	58.3	68.5	77.9	81.3	80.0	73.3	61.7	49.7	37.9	58.7
	V	mi/hr	11.2	10.5	10.5	10.3	9.2	8.3	8.1	7.6	8.3	9.4	10.5	11.0	9.6
	I	Btu/ft ² /day	462	689	1067	1430	1756	1944	1923	1672	1335	851	511	380	1168
	P_A	lb/in ²													14.29
Columbus_OH, OH	T_{AN}	°F	23.0	25.0	32.7	43.1	52.4	62.3	65.7	64.6	56.8	45.2	36.2	27.2	44.5
	T_{AX}	°F	36.5	39.9	50.3	63.4	72.5	81.1	84.1	83.3	76.7	64.7	51.9	40.1	62.0
	V	mi/hr	9.2	8.9	8.9	8.9	7.6	6.7	6.3	5.8	6.0	6.9	8.1	8.7	7.6
	I	Btu/ft ² /day	527	743	1080	1472	1716	1889	1866	1692	1388	971	601	456	1200
	P_A	lb/in ²													14.27
Dayton, OH	T_{AN}	°F	21.1	23.6	31.6	42.3	52.2	61.9	64.9	63.6	55.4	44.7	34.9	25.4	43.5
	T_{AX}	°F	34.9	38.7	49.1	62.1	71.3	80.0	83.2	82.4	75.9	63.9	50.7	38.4	60.9
	V	mi/hr	11.4	11.0	11.0	11.0	9.4	8.3	7.8	7.2	7.8	9.2	10.3	10.7	9.6
	I	Btu/ft ² /day	517	759	1122	1479	1747	1925	1936	1738	1409	993	607	456	1224
	P_A	lb/in ²													14.17
Mansfield, OH	T_{AN}	°F	19.4	21.3	28.8	39.3	48.9	58.6	61.9	61.0	53.2	42.9	33.6	24.4	41.1
	T_{AX}	°F	32.8	35.6	45.4	59.1	68.9	77.7	80.8	79.5	72.9	61.3	48.1	37.1	58.3
	V	mi/hr	11.2	10.7	10.5	10.7	9.2	7.8	7.4	6.7	7.4	8.9	10.3	10.7	9.4

Location	Symbol	Units	Jan	Feb	Mar	Apr	May	Jun	Jul	Aug	Sep	Oct	Nov	Dec	Annual
	<i>I</i>	Btu/ft ² /day	492	700	1071	1438	1709	1882	1904	1643	1329	918	553	423	1172
	<i>P_A</i>	lb/in ²													14.03
Toledo, OH	<i>T_{AN}</i>	°F	19.4	21.5	28.9	39.7	49.4	59.5	62.8	61.8	53.5	42.9	33.7	24.1	41.5
	<i>T_{AX}</i>	°F	32.4	35.7	46.2	59.8	70.3	80.1	83.5	81.6	75.1	62.5	48.9	36.3	59.4
	<i>V</i>	mi/hr	10.5	9.8	9.8	10.3	8.7	7.2	6.9	6.3	6.7	8.3	9.4	9.6	8.7
	<i>I</i>	Btu/ft ² /day	485	754	1125	1446	1747	1939	1938	1656	1360	912	537	408	1192
	<i>P_A</i>	lb/in ²													14.34
Youngstown, OH	<i>T_{AN}</i>	°F	20.1	21.3	28.2	38.8	47.3	56.6	60.2	59.2	52.1	42.0	34.3	24.7	40.4
	<i>T_{AX}</i>	°F	33.3	36.0	45.5	59.3	68.9	77.5	80.9	79.8	72.4	60.6	48.7	36.9	58.3
	<i>V</i>	mi/hr	10.1	9.6	9.6	9.6	8.3	7.2	6.9	6.5	7.2	8.1	9.2	9.6	8.5
	<i>I</i>	Btu/ft ² /day	476	714	1070	1410	1680	1842	1839	1631	1295	859	520	423	1147
	<i>P_A</i>	lb/in ²													14.08
Oklahoma City, OK	<i>T_{AN}</i>	°F	28.7	32.8	40.5	49.1	59.3	67.4	71.5	70.6	62.5	51.0	39.5	30.9	50.3
	<i>T_{AX}</i>	°F	48.7	54.1	62.1	70.8	78.9	86.9	92.8	92.1	83.2	72.6	60.3	50.4	71.1
	<i>V</i>	mi/hr	11.4	11.9	13.4	13.4	11.4	10.7	9.8	9.2	9.6	11.0	11.6	11.4	11.2
	<i>I</i>	Btu/ft ² /day	831	1090	1389	1757	1898	2111	2215	1982	1600	1235	889	751	1479
	<i>P_A</i>	lb/in ²													14.01
Tulsa, OK	<i>T_{AN}</i>	°F	28.9	32.9	40.9	50.1	60.2	68.6	73.4	72.2	62.6	51.3	40.4	31.3	51.1
	<i>T_{AX}</i>	°F	47.4	53.4	61.7	71.0	78.7	86.5	92.3	92.4	83.2	72.6	60.2	49.6	70.8
	<i>V</i>	mi/hr	9.2	9.4	10.7	11.2	9.6	9.2	8.7	7.6	7.8	8.7	9.4	9.2	9.2
	<i>I</i>	Btu/ft ² /day	748	1023	1320	1671	1822	2027	2152	1938	1523	1166	816	682	1407
	<i>P_A</i>	lb/in ²													14.36
Astoria, OR	<i>T_{AN}</i>	°F	38.7	38.1	39.5	41.9	46.5	50.7	54.1	54.1	50.4	45.3	41.0	38.6	44.9
	<i>T_{AX}</i>	°F	49.1	51.3	52.7	55.3	59.8	63.2	66.8	67.7	66.8	60.0	53.2	48.6	57.9
	<i>V</i>	mi/hr	8.5	7.8	7.8	7.8	7.6	7.8	8.1	7.2	6.7	6.7	7.8	8.7	7.6
	<i>I</i>	Btu/ft ² /day	343	600	877	1252	1537	1627	1708	1492	1196	728	391	302	1005
	<i>P_A</i>	lb/in ²													14.69
Burns, OR	<i>T_{AN}</i>	°F	17.3	19.4	25.6	29.5	37.3	42.5	48.4	45.6	37.3	28.3	22.3	16.0	30.8
	<i>T_{AX}</i>	°F	35.1	39.3	49.0	55.6	65.8	74.0	86.0	84.4	76.0	61.2	45.0	34.7	58.8
	<i>V</i>	mi/hr	5.1	5.6	6.9	7.8	7.6	7.2	6.7	6.5	6.0	5.8	5.4	5.1	6.3
	<i>I</i>	Btu/ft ² /day	475	707	1195	1606	2000	2285	2459	2155	1691	1098	573	384	1386
	<i>P_A</i>	lb/in ²													12.63
Eugene, OR	<i>T_{AN}</i>	°F	35.6	36.0	38.0	40.5	44.7	48.3	52.7	52.2	48.4	42.4	38.6	35.5	42.7

Location	Symbol	Units	Jan	Feb	Mar	Apr	May	Jun	Jul	Aug	Sep	Oct	Nov	Dec	Annual
	T_{AX}	°F	47.1	50.9	55.4	59.6	66.2	72.1	82.5	82.0	76.7	63.4	51.8	45.9	62.8
	V	mi/hr	6.9	6.9	7.2	6.9	6.5	6.9	7.4	7.2	6.7	6.5	6.7	7.2	6.9
	I	Btu/ft ² /day	396	673	998	1386	1739	1961	2238	1960	1491	839	449	322	1204
	P_A	lb/in ²													14.50
Medford, OR	T_{AN}	°F	33.0	34.5	37.2	40.6	47.0	52.1	58.7	57.5	50.8	42.2	36.4	33.1	43.6
	T_{AX}	°F	47.6	54.3	58.8	63.4	72.6	80.0	90.7	89.6	83.9	69.2	52.9	45.8	67.4
	V	mi/hr	3.4	4.0	4.5	4.7	5.1	5.4	5.1	4.7	3.6	3.1	2.9	3.4	4.0
	I	Btu/ft ² /day	502	774	1143	1490	1917	2257	2415	2117	1649	1051	541	430	1357
	P_A	lb/in ²													13.69
Pendleton, OR	T_{AN}	°F	29.5	31.4	35.4	39.6	46.4	52.0	58.4	57.5	50.6	40.8	34.0	29.1	42.1
	T_{AX}	°F	41.1	46.2	54.3	60.8	69.4	77.1	87.9	86.2	77.4	62.6	48.3	40.1	62.6
	V	mi/hr	7.2	7.2	8.9	9.4	9.2	9.2	8.7	8.5	8.1	7.6	7.4	7.2	8.3
	I	Btu/ft ² /day	376	678	1117	1628	1970	2228	2372	2058	1541	960	460	309	1308
	P_A	lb/in ²													13.92
Salem, OR	T_{AN}	°F	36.0	35.9	38.3	40.9	46.1	50.3	54.9	54.3	50.2	43.7	39.4	35.7	43.8
	T_{AX}	°F	47.4	51.6	55.6	59.9	67.1	72.6	81.8	81.3	76.3	63.4	52.2	46.6	63.0
	V	mi/hr	7.2	6.7	7.2	6.7	6.3	6.5	6.3	5.8	5.4	5.6	6.9	7.4	6.5
	I	Btu/ft ² /day	370	638	951	1355	1703	1859	2099	1846	1392	807	416	307	1145
	P_A	lb/in ²													14.59
Allentown, PA	T_{AN}	°F	22.0	23.1	30.5	40.3	49.7	59.7	63.9	62.5	54.6	42.8	34.5	25.9	42.5
	T_{AX}	°F	36.7	39.5	49.0	61.4	71.1	79.8	83.8	82.5	75.0	63.3	52.1	40.8	61.3
	V	mi/hr	8.3	8.7	8.9	8.7	7.4	6.7	6.3	5.6	6.3	6.5	6.9	7.8	7.4
	I	Btu/ft ² /day	568	845	1165	1495	1739	1841	1869	1636	1309	950	614	495	1210
	P_A	lb/in ²													14.49
Bradford, PA	T_{AN}	°F	15.5	15.9	22.9	33.2	41.6	50.7	54.1	53.5	46.4	36.9	30.0	20.0	35.1
	T_{AX}	°F	29.2	31.7	40.9	54.6	64.9	73.0	75.8	74.9	67.6	56.1	44.3	32.9	53.8
	V	mi/hr	8.9	8.7	8.5	8.3	6.9	5.8	5.4	5.1	5.8	6.7	7.6	8.3	7.2
	I	Btu/ft ² /day	483	742	1056	1439	1651	1781	1759	1563	1218	820	508	412	1119
	P_A	lb/in ²													13.62
Erie, PA	T_{AN}	°F	22.0	22.0	28.3	39.0	49.1	59.7	64.2	63.4	56.5	46.1	37.3	27.5	42.9
	T_{AX}	°F	33.7	35.0	42.6	55.4	65.8	75.4	78.9	78.0	71.3	60.2	49.0	38.0	56.9
	V	mi/hr	11.9	10.7	10.5	10.1	9.2	8.3	8.1	7.8	8.9	9.8	11.2	11.6	9.8
	I	Btu/ft ² /day	367	647	994	1425	1756	1946	1921	1661	1281	825	474	327	1135

Location	Symbol	Units	Jan	Feb	Mar	Apr	May	Jun	Jul	Aug	Sep	Oct	Nov	Dec	Annual
	P_A	lb/in ²													14.32
Middletown, PA	T_{AN}	°F	24.1	25.3	33.2	43.2	53.1	63.2	67.5	66.1	58.0	45.5	37.1	28.4	45.4
	T_{AX}	°F	37.9	40.9	50.4	62.9	72.5	81.4	85.4	83.8	76.0	64.4	53.3	42.2	62.6
	V	mi/hr	8.9	9.2	9.8	9.2	7.6	6.7	6.3	5.8	6.3	6.5	7.8	8.5	7.6
	I	Btu/ft ² /day	580	840	1164	1497	1754	1889	1852	1639	1304	967	630	512	1219
	P_A	lb/in ²													14.53
Philadelphia, PA	T_{AN}	°F	27.4	28.3	35.5	45.4	54.8	64.9	70.2	69.0	61.6	49.6	40.5	31.5	48.2
	T_{AX}	°F	40.7	43.2	52.1	63.9	73.3	82.3	86.5	85.0	77.7	66.1	55.3	44.5	64.2
	V	mi/hr	10.3	10.5	11.0	10.3	8.9	8.7	8.5	8.1	8.5	8.7	9.2	10.1	9.4
	I	Btu/ft ² /day	611	911	1190	1537	1778	1917	1891	1698	1357	1015	678	549	1261
	P_A	lb/in ²													14.69
Pittsburgh, PA	T_{AN}	°F	22.2	23.5	30.8	41.3	50.2	59.6	63.5	62.5	54.8	43.4	35.3	26.2	42.8
	T_{AX}	°F	36.2	38.9	48.7	62.0	70.6	78.9	81.9	81.2	73.9	62.4	50.7	39.5	60.4
	V	mi/hr	9.4	9.2	9.4	9.2	7.6	6.9	6.5	6.0	6.3	6.9	8.1	8.7	7.8
	I	Btu/ft ² /day	520	760	1080	1440	1691	1846	1823	1636	1306	919	566	459	1170
	P_A	lb/in ²													14.10
Scranton, PA	T_{AN}	°F	20.3	21.5	28.7	39.2	48.6	57.8	61.7	60.7	53.2	42.2	34.5	25.0	41.1
	T_{AX}	°F	33.8	36.5	45.8	59.1	69.5	77.6	81.6	80.2	72.4	60.4	49.2	37.7	58.6
	V	mi/hr	7.6	8.1	8.1	7.8	6.9	6.0	6.0	5.6	6.0	6.3	6.9	7.4	6.9
	I	Btu/ft ² /day	538	789	1115	1455	1710	1843	1852	1616	1261	888	548	455	1173
	P_A	lb/in ²													14.21
Williamsport, PA	T_{AN}	°F	20.8	21.8	29.5	39.5	48.5	58.6	62.3	61.3	53.7	42.0	34.0	25.0	41.4
	T_{AX}	°F	34.9	37.9	47.9	61.3	71.4	79.8	83.5	82.0	73.8	62.1	50.2	38.6	60.3
	V	mi/hr	7.6	7.8	7.8	7.6	6.5	5.6	5.4	4.7	5.1	5.6	6.5	7.2	6.5
	I	Btu/ft ² /day	550	803	1122	1457	1714	1846	1830	1603	1233	884	545	449	1170
	P_A	lb/in ²													14.42
Providence, RI	T_{AN}	°F	22.5	24.0	30.7	40.2	49.2	59.3	64.9	64.0	56.6	44.9	36.8	27.6	43.4
	T_{AX}	°F	37.4	39.5	47.0	58.1	67.7	76.9	82.2	80.9	73.5	62.5	52.4	42.2	60.0
	V	mi/hr	9.6	10.1	10.5	10.3	9.4	8.7	8.5	8.1	8.1	8.5	8.7	9.4	9.2
	I	Btu/ft ² /day	579	859	1150	1477	1738	1847	1840	1640	1301	937	604	501	1206
	P_A	lb/in ²													14.66
Charleston, SC	T_{AN}	°F	39.6	41.6	47.8	54.8	63.2	70.7	74.0	73.3	68.3	57.7	48.0	41.1	56.7
	T_{AX}	°F	59.2	62.1	68.9	75.8	82.3	87.3	90.2	88.7	84.1	76.5	68.6	60.9	75.4

Location	Symbol	Units	Jan	Feb	Mar	Apr	May	Jun	Jul	Aug	Sep	Oct	Nov	Dec	Annual
Sioux Falls, SD	T_{AN}	°F	7.9	13.1	23.5	35.4	47.2	57.9	62.5	60.6	50.6	37.8	24.2	12.7	36.1
	T_{AX}	°F	25.2	31.2	42.5	57.5	68.9	78.4	82.9	81.0	73.2	59.6	42.7	29.4	56.0
	V	mi/hr	10.1	10.3	11.2	11.9	11.2	9.8	9.2	8.7	9.6	9.8	10.1	9.8	10.1
	I	Btu/ft ² /day	507	777	1169	1523	1751	1979	2046	1762	1393	947	576	442	1239
	P_A	lb/in ²													13.95
Bristol, TN	T_{AN}	°F	27.2	29.5	35.5	44.0	52.5	61.2	64.9	63.7	56.4	44.7	35.6	28.9	45.3
	T_{AX}	°F	45.5	49.2	58.0	67.9	75.5	82.1	84.6	84.5	78.8	68.8	57.7	47.9	66.7
	V	mi/hr	5.4	5.6	6.0	5.6	4.7	3.8	3.6	2.9	3.1	3.6	4.0	4.7	4.5
	I	Btu/ft ² /day	682	901	1249	1616	1853	1928	1885	1780	1483	1128	790	611	1325
	P_A	lb/in ²													13.92
Chattanooga, TN	T_{AN}	°F	32.7	34.8	41.6	49.7	58.5	66.8	70.6	70.0	63.0	50.8	40.5	34.2	51.1
	T_{AX}	°F	50.4	54.3	63.0	72.5	79.4	86.1	89.2	89.0	83.0	72.8	61.4	51.9	71.1
	V	mi/hr	5.8	6.0	6.5	6.0	4.9	4.3	4.3	3.8	4.0	4.0	4.5	5.4	4.9
	I	Btu/ft ² /day	722	965	1295	1662	1859	1950	1915	1796	1471	1170	824	654	1357
	P_A	lb/in ²													14.34
Knoxville, TN	T_{AN}	°F	30.8	33.3	40.0	48.7	57.3	65.6	69.2	68.3	61.4	49.2	39.3	32.4	49.6
	T_{AX}	°F	47.3	51.4	60.2	69.8	77.5	84.2	87.2	87.0	81.1	70.4	59.1	49.1	68.7
	V	mi/hr	6.5	6.7	7.2	6.9	6.3	5.4	5.4	4.5	4.7	4.7	5.4	6.0	5.8
	I	Btu/ft ² /day	692	933	1270	1656	1877	1970	1925	1808	1484	1160	798	625	1350
	P_A	lb/in ²													14.18
Memphis, TN	T_{AN}	°F	34.0	37.1	44.7	53.9	63.1	70.9	74.1	73.2	65.8	54.6	43.9	36.2	54.3
	T_{AX}	°F	49.7	54.3	62.9	72.4	80.7	88.1	90.8	90.7	84.6	74.0	61.6	51.7	71.8
	V	mi/hr	9.2	9.2	9.8	9.6	8.5	7.4	6.9	6.7	7.2	7.2	8.1	8.7	8.3
	I	Btu/ft ² /day	696	939	1275	1661	1860	2008	1967	1832	1508	1165	794	626	1361
	P_A	lb/in ²													14.55
Nashville, TN	T_{AN}	°F	30.5	32.9	40.2	49.3	58.5	66.7	70.8	69.8	62.1	50.3	40.2	32.8	50.3
	T_{AX}	°F	47.2	51.5	60.5	70.4	77.9	85.2	88.6	88.6	82.2	71.4	59.5	49.5	69.4
	V	mi/hr	8.1	8.1	8.3	8.1	6.7	6.0	5.8	5.6	5.8	6.3	7.2	7.6	6.9
	I	Btu/ft ² /day	654	896	1261	1614	1798	1955	1886	1778	1467	1128	772	583	1316
	P_A	lb/in ²													14.39
Abilene, TX	T_{AN}	°F	34.2	37.8	44.9	52.6	62.1	69.1	72.6	72.0	64.4	54.6	43.4	35.2	53.6
	T_{AX}	°F	56.5	60.6	68.0	76.6	83.9	89.9	93.6	92.8	85.9	76.8	65.4	57.4	75.6
	V	mi/hr	11.0	11.4	12.5	13.2	11.9	11.2	10.1	8.7	8.9	10.3	10.7	10.7	11.0

Location	Symbol	Units	Jan	Feb	Mar	Apr	May	Jun	Jul	Aug	Sep	Oct	Nov	Dec	Annual
	<i>I</i>	Btu/ft ² /day	959	1205	1557	1936	2052	2245	2252	2006	1701	1375	1046	902	1603
	<i>P_A</i>	lb/in ²													13.79
Amarillo, TX	<i>T_{AN}</i>	°F	24.9	28.0	34.1	42.4	52.8	61.7	65.8	64.8	56.9	45.3	33.2	25.8	44.7
	<i>T_{AX}</i>	°F	50.1	54.4	61.9	70.0	78.9	87.1	90.5	88.3	81.8	71.3	59.0	50.1	70.3
	<i>V</i>	mi/hr	12.1	12.5	13.9	14.8	13.6	13.9	12.3	11.6	12.1	12.5	12.5	12.1	12.8
	<i>I</i>	Btu/ft ² /day	882	1232	1607	1972	2156	2357	2313	2021	1748	1388	1057	877	1634
	<i>P_A</i>	lb/in ²													12.95
Austin, TX	<i>T_{AN}</i>	°F	40.3	43.9	49.9	57.5	66.3	71.9	73.8	73.5	68.2	58.8	48.3	41.0	57.8
	<i>T_{AX}</i>	°F	61.6	65.3	71.6	78.9	85.9	91.5	94.4	95.5	89.8	81.4	70.5	63.1	79.1
	<i>V</i>	mi/hr	8.3	8.7	9.2	8.9	8.5	8.1	7.4	6.5	6.3	6.9	7.6	7.8	7.8
	<i>I</i>	Btu/ft ² /day	868	1085	1368	1699	1812	2094	2135	2023	1645	1313	956	806	1484
	<i>P_A</i>	lb/in ²													14.33
Brownsville, TX	<i>T_{AN}</i>	°F	52.8	56.0	60.7	66.6	72.7	76.4	76.9	76.8	73.6	67.6	59.9	53.5	66.1
	<i>T_{AX}</i>	°F	70.6	73.7	78.1	82.8	88.0	91.6	92.8	93.5	89.6	84.7	78.0	71.6	82.9
	<i>V</i>	mi/hr	10.1	11.2	11.9	12.5	12.1	11.0	11.0	9.2	7.4	8.7	9.2	9.6	10.3
	<i>I</i>	Btu/ft ² /day	899	1152	1425	1673	1913	2051	2061	1951	1616	1386	1040	846	1501
	<i>P_A</i>	lb/in ²													14.68
Corpus Christi, TX	<i>T_{AN}</i>	°F	48.4	51.9	57.3	63.9	70.6	74.5	75.3	75.5	72.5	65.3	56.2	49.6	63.4
	<i>T_{AX}</i>	°F	66.9	70.6	75.5	81.1	86.2	90.4	92.4	93.8	89.3	83.7	75.1	68.5	81.1
	<i>V</i>	mi/hr	12.1	12.5	13.4	14.1	12.5	10.5	10.7	9.8	9.2	10.7	11.4	11.6	11.6
	<i>I</i>	Btu/ft ² /day	891	1113	1385	1636	1850	2072	2110	1975	1662	1397	1040	838	1497
	<i>P_A</i>	lb/in ²													14.68
Dallas-Fort Worth, TX	<i>T_{AN}</i>	°F	37.0	40.8	47.8	55.8	65.4	72.6	76.3	76.1	68.6	57.8	47.1	38.8	57.0
	<i>T_{AX}</i>	°F	56.2	60.7	67.8	75.7	83.4	91.0	95.3	95.3	87.8	78.0	66.2	57.7	76.3
	<i>V</i>	mi/hr	10.5	10.7	11.9	12.1	11.0	10.5	9.8	8.5	8.3	9.4	10.3	10.3	10.3
	<i>I</i>	Btu/ft ² /day	837	1089	1388	1744	1860	2087	2171	1981	1623	1263	933	795	1481
	<i>P_A</i>	lb/in ²													14.40
El Paso, TX	<i>T_{AN}</i>	°F	34.6	38.8	44.3	52.2	62.3	69.8	72.2	70.6	64.5	53.3	40.8	33.9	53.1
	<i>T_{AX}</i>	°F	58.2	63.2	70.3	78.7	88.2	95.4	94.4	92.4	87.4	78.3	66.1	57.3	77.5
	<i>V</i>	mi/hr	7.8	8.9	10.1	11.0	10.1	9.2	8.1	7.4	7.4	7.6	7.4	7.4	8.5
	<i>I</i>	Btu/ft ² /day	1125	1406	1856	2259	2494	2537	2276	2106	1895	1574	1244	1048	1818
	<i>P_A</i>	lb/in ²													12.76
Houston, TX	<i>T_{AN}</i>	°F	43.8	47.0	52.7	59.6	67.9	73.4	75.1	74.7	69.9	61.0	51.2	44.9	60.1

Location	Symbol	Units	Jan	Feb	Mar	Apr	May	Jun	Jul	Aug	Sep	Oct	Nov	Dec	Annual
	T_{AX}	°F	62.6	66.4	72.3	78.7	85.9	90.7	93.1	93.4	88.9	81.2	71.2	64.1	79.0
	V	mi/hr	7.8	8.3	8.5	8.9	8.1	6.7	5.8	5.6	6.0	6.7	7.2	7.6	7.4
	I	Btu/ft ² /day	832	1022	1333	1635	1828	1915	1930	1804	1567	1288	930	767	1404
	P_A	lb/in ²													14.65
Lubbock, TX	T_{AN}	°F	28.0	31.6	38.2	46.8	57.3	65.4	69.0	67.5	59.6	48.6	36.6	28.5	48.1
	T_{AX}	°F	54.0	58.8	66.1	74.7	83.3	90.3	92.3	90.6	84.0	74.8	62.7	54.6	73.9
	V	mi/hr	11.6	12.3	13.9	14.3	13.6	13.0	11.0	9.8	10.1	11.0	11.4	11.4	11.9
	I	Btu/ft ² /day	968	1252	1627	2008	2166	2352	2283	2060	1728	1406	1081	904	1653
	P_A	lb/in ²													13.07
Lufkin, TX	T_{AN}	°F	39.3	42.4	48.6	55.6	64.7	70.7	72.8	72.1	66.8	56.5	46.8	40.3	56.4
	T_{AX}	°F	59.8	64.0	70.5	77.5	84.6	90.0	93.1	93.6	88.3	79.5	68.8	61.1	77.6
	V	mi/hr	6.9	7.4	7.6	7.6	6.9	5.8	5.4	4.9	5.4	5.8	6.3	6.5	6.5
	I	Btu/ft ² /day	796	1027	1342	1686	1856	1988	2043	1915	1590	1275	913	747	1432
	P_A	lb/in ²													14.55
Midland, TX	T_{AN}	°F	31.8	35.9	42.1	50.1	60.9	68.5	71.0	69.7	62.7	52.4	39.8	32.1	51.4
	T_{AX}	°F	57.4	62.2	69.4	78.4	87.1	93.0	93.8	92.4	86.0	77.5	65.6	58.1	76.7
	V	mi/hr	10.1	11.0	12.1	12.8	12.3	12.3	10.7	9.6	9.6	10.3	9.8	9.8	11.0
	I	Btu/ft ² /day	1015	1294	1695	2089	2226	2365	2272	2073	1776	1458	1140	973	1698
	P_A	lb/in ²													13.26
Port Arthur, TX	T_{AN}	°F	44.6	47.7	53.2	60.1	68.0	73.5	75.0	74.7	70.6	61.5	51.7	45.7	60.5
	T_{AX}	°F	61.9	65.3	71.2	77.3	84.3	89.1	91.0	91.5	87.8	80.2	70.5	63.4	77.8
	V	mi/hr	9.6	10.1	10.3	10.3	9.2	7.6	6.0	5.8	7.2	8.1	8.5	9.2	8.5
	I	Btu/ft ² /day	824	1017	1355	1646	1868	1931	1918	1801	1552	1300	955	773	1412
	P_A	lb/in ²													14.68
San Angelo, TX	T_{AN}	°F	34.4	38.0	45.2	52.8	62.8	69.6	72.1	71.3	64.0	53.8	42.7	35.1	53.5
	T_{AX}	°F	59.5	63.7	70.7	79.5	87.4	92.4	95.1	94.0	87.4	78.6	67.4	60.5	78.0
	V	mi/hr	9.6	10.1	10.7	11.4	10.5	10.1	9.2	8.1	7.8	8.5	9.2	9.4	9.6
	I	Btu/ft ² /day	968	1229	1591	1961	2072	2236	2220	2021	1711	1382	1090	921	1617
	P_A	lb/in ²													13.71
San Antonio, TX	T_{AN}	°F	42.0	45.8	51.8	59.1	67.6	73.2	75.2	75.3	69.8	60.8	50.5	43.1	59.5
	T_{AX}	°F	62.9	67.2	73.1	79.9	86.6	91.9	94.0	95.0	89.5	81.6	71.3	64.3	79.8
	V	mi/hr	7.6	7.8	8.9	9.4	9.4	9.2	8.5	7.8	6.9	7.4	7.6	7.4	8.1
	I	Btu/ft ² /day	893	1083	1377	1682	1821	2059	2081	1961	1640	1323	985	825	1477

Location	Symbol	Units	Jan	Feb	Mar	Apr	May	Jun	Jul	Aug	Sep	Oct	Nov	Dec	Annual
	P_A	lb/in ²													14.27
Victoria, TX	T_{AN}	°F	44.5	48.0	53.7	60.5	68.3	73.3	74.8	74.4	70.1	61.6	51.9	45.5	60.5
	T_{AX}	°F	64.6	68.2	73.5	79.6	86.1	91.0	93.1	94.0	89.5	82.7	73.1	66.1	80.1
	V	mi/hr	9.8	10.1	10.5	11.0	10.3	9.2	8.3	7.4	7.4	8.3	8.7	9.2	9.2
	I	Btu/ft ² /day	849	1038	1328	1597	1823	2009	2029	1887	1596	1328	989	801	1439
	P_A	lb/in ²													14.63
Waco, TX	T_{AN}	°F	37.6	41.3	48.1	55.7	64.7	71.7	75.0	74.4	67.3	57.2	46.9	39.0	56.6
	T_{AX}	°F	58.4	62.4	69.2	77.1	84.7	91.5	95.8	96.0	89.4	79.8	68.0	59.7	77.7
	V	mi/hr	9.8	10.1	11.0	11.2	10.1	9.6	9.6	8.5	7.8	8.7	9.4	9.4	9.6
	I	Btu/ft ² /day	864	1081	1387	1732	1890	2135	2198	2022	1674	1302	958	823	1505
	P_A	lb/in ²													14.43
Cedar City, UT	T_{AN}	°F	19.2	23.3	28.3	33.5	42.2	50.9	59.0	57.7	47.7	36.0	25.0	18.7	36.8
	T_{AX}	°F	41.9	46.0	54.6	61.1	72.3	82.5	89.5	87.2	79.3	65.7	51.7	41.5	64.4
	V	mi/hr	6.3	6.7	8.1	8.9	8.7	8.7	7.6	7.6	7.2	6.7	6.3	6.3	7.4
	I	Btu/ft ² /day	818	1072	1548	1969	2299	2534	2285	2082	1827	1355	944	741	1623
	P_A	lb/in ²													12.01
Salt Lake City, UT	T_{AN}	°F	23.3	26.9	34.4	40.2	49.0	57.3	66.4	64.9	54.3	42.2	31.1	24.1	42.9
	T_{AX}	°F	37.7	43.1	53.4	60.3	71.5	81.8	92.4	90.1	78.9	64.0	48.7	38.0	63.3
	V	mi/hr	6.7	7.2	8.7	9.6	8.9	9.2	8.9	9.6	8.7	8.1	7.4	7.2	8.3
	I	Btu/ft ² /day	596	877	1348	1685	2071	2336	2338	2052	1689	1144	700	469	1442
	P_A	lb/in ²													12.62
Burlington, VT	T_{AN}	°F	11.6	13.1	22.7	35.1	46.1	56.4	61.0	59.2	51.5	40.2	31.6	19.8	37.4
	T_{AX}	°F	27.0	29.8	39.6	54.1	66.8	76.2	79.9	78.6	70.3	56.6	45.1	33.2	54.8
	V	mi/hr	8.9	8.5	8.5	8.7	8.1	7.4	6.9	6.9	7.6	8.1	8.7	8.9	8.1
	I	Btu/ft ² /day	474	733	1046	1449	1720	1874	1835	1642	1239	770	464	377	1135
	P_A	lb/in ²													14.52
DC-Dulles, VA	T_{AN}	°F	25.8	26.7	33.9	43.4	52.3	61.9	66.5	65.4	57.6	44.8	36.2	28.2	45.2
	T_{AX}	°F	42.4	45.2	54.4	66.3	74.0	82.5	86.4	85.9	78.3	67.0	56.2	45.2	65.3
	V	mi/hr	7.8	8.1	8.5	8.1	6.7	6.0	5.8	5.6	6.0	6.0	6.7	7.2	6.9
	I	Btu/ft ² /day	653	939	1233	1567	1771	1900	1862	1684	1376	1062	711	590	1279
	P_A	lb/in ²													14.55
DC-Reagan, VA	T_{AN}	°F	30.0	31.2	38.3	47.9	57.0	66.7	71.5	70.4	63.2	51.2	41.7	33.3	50.2
	T_{AX}	°F	43.6	46.3	55.2	66.3	74.6	83.3	87.6	86.3	79.0	67.6	57.0	46.5	66.1

Location	Symbol	Units	Jan	Feb	Mar	Apr	May	Jun	Jul	Aug	Sep	Oct	Nov	Dec	Annual
Seattle, WA	T_{AN}	°F	37.6	37.8	39.7	42.8	48.0	52.4	56.4	56.5	52.9	46.5	40.5	36.8	45.7
	T_{AX}	°F	46.4	49.4	52.4	57.2	63.7	68.5	75.1	74.8	69.5	58.6	50.3	45.4	59.3
	V	mi/hr	8.5	8.3	8.5	7.8	7.6	7.6	7.2	6.9	6.7	7.2	8.1	8.7	7.8
	I	Btu/ft ² /day	316	595	882	1329	1678	1842	1951	1679	1235	671	356	267	1067
	P_A	lb/in ²													14.47
Spokane, WA	T_{AN}	°F	24.3	26.4	30.9	36.4	43.8	49.9	56.7	55.7	47.7	37.3	29.3	23.7	38.5
	T_{AX}	°F	34.1	39.7	48.1	56.0	65.8	72.5	83.2	82.2	72.8	57.2	41.5	33.0	57.2
	V	mi/hr	8.3	8.3	9.6	9.6	9.4	9.2	8.5	8.1	7.8	8.1	8.3	8.3	8.7
	I	Btu/ft ² /day	345	650	1060	1497	1893	2071	2274	1947	1430	841	401	283	1224
	P_A	lb/in ²													13.40
Stampede Pass, WA	T_{AN}	°F	24.0	25.7	28.6	31.8	37.8	42.4	49.0	49.3	45.5	36.7	29.2	23.5	35.3
	T_{AX}	°F	30.7	33.8	37.9	43.1	51.0	56.6	65.7	65.7	60.0	47.3	36.2	30.1	46.5
	V	mi/hr	7.4	7.4	6.9	6.7	6.9	7.4	7.4	6.9	6.7	6.7	6.9	7.4	7.2
	I	Btu/ft ² /day	345	595	857	1281	1599	1703	1946	1676	1218	678	366	286	1046
	P_A	lb/in ²													12.73
Yakima, WA	T_{AN}	°F	24.1	27.1	30.8	35.5	43.5	49.6	55.1	53.0	45.0	35.2	27.5	23.4	37.5
	T_{AX}	°F	38.1	46.0	55.3	62.6	71.8	78.6	87.9	86.2	77.9	63.0	47.3	36.6	62.6
	V	mi/hr	4.3	5.4	6.7	7.4	7.4	7.6	7.2	6.7	6.3	5.6	4.7	4.0	6.0
	I	Btu/ft ² /day	399	740	1187	1639	1987	2252	2374	2033	1537	937	483	315	1324
	P_A	lb/in ²													14.14
Beckley, WV	T_{AN}	°F	24.2	26.2	32.9	42.7	50.3	58.6	62.0	61.1	54.2	43.8	35.2	27.0	43.2
	T_{AX}	°F	39.5	42.2	50.7	62.6	69.3	76.0	78.7	78.4	72.3	62.8	51.9	41.6	60.5
	V	mi/hr	8.3	8.1	8.1	7.8	6.7	5.6	5.1	4.9	5.6	6.3	6.9	7.6	6.7
	I	Btu/ft ² /day	632	847	1144	1499	1680	1797	1752	1643	1346	1018	691	538	1216
	P_A	lb/in ²													13.42
Charleston, WV	T_{AN}	°F	26.8	28.6	35.1	44.9	52.6	61.6	65.2	64.3	56.6	45.0	36.4	29.2	45.5
	T_{AX}	°F	43.1	46.3	55.5	68.1	74.5	81.6	84.4	83.9	77.7	67.6	56.3	45.5	65.4
	V	mi/hr	5.4	5.1	5.1	5.1	4.0	3.4	3.1	2.7	2.9	3.1	4.0	4.7	4.0
	I	Btu/ft ² /day	579	814	1126	1524	1737	1916	1843	1721	1378	1024	667	512	1237
	P_A	lb/in ²													14.16
Elkins, WV	T_{AN}	°F	20.6	21.5	28.1	37.0	45.9	55.1	58.9	58.3	50.7	38.1	30.3	22.9	39.0
	T_{AX}	°F	39.7	42.3	51.2	63.3	70.5	77.7	80.5	80.3	73.9	64.0	52.7	42.2	61.5
	V	mi/hr	5.8	5.8	5.8	5.8	4.5	3.6	3.1	2.7	2.9	3.6	4.7	5.1	4.5

Location	Symbol	Units	Jan	Feb	Mar	Apr	May	Jun	Jul	Aug	Sep	Oct	Nov	Dec	Annual
	<i>I</i>	Btu/ft ² /day	574	794	1113	1461	1619	1793	1738	1611	1293	972	618	498	1173
	<i>P_A</i>	lb/in ²													13.69
Huntington, WV	<i>T_{AN}</i>	°F	26.7	28.9	35.9	45.8	53.7	62.5	66.1	65.0	57.1	45.7	37.2	29.4	46.2
	<i>T_{AX}</i>	°F	42.4	45.9	55.5	67.7	74.7	82.0	85.0	84.7	78.2	67.6	55.7	44.9	65.3
	<i>V</i>	mi/hr	6.9	6.7	6.9	6.7	5.6	4.9	4.7	4.3	4.5	4.9	5.8	6.3	5.6
	<i>I</i>	Btu/ft ² /day	570	828	1163	1545	1751	1915	1856	1725	1404	1045	676	519	1250
	<i>P_A</i>	lb/in ²													14.26
Eau Claire, WI	<i>T_{AN}</i>	°F	6.6	11.2	22.0	34.8	46.1	56.4	60.5	58.9	49.8	38.1	25.7	12.8	35.2
	<i>T_{AX}</i>	°F	22.7	28.6	40.7	56.9	68.6	77.6	81.4	79.6	71.2	57.7	41.2	27.9	54.5
	<i>V</i>	mi/hr	7.4	7.6	7.6	8.7	8.3	7.2	6.5	6.3	6.9	7.6	7.6	7.2	7.4
	<i>I</i>	Btu/ft ² /day	485	734	1116	1485	1716	1866	1895	1616	1234	802	484	377	1151
	<i>P_A</i>	lb/in ²													14.23
Green Bay, WI	<i>T_{AN}</i>	°F	10.7	14.0	23.7	35.1	45.5	55.9	59.2	58.0	49.6	39.1	28.4	16.9	36.3
	<i>T_{AX}</i>	°F	24.9	29.1	39.9	54.3	66.2	75.7	79.6	78.1	70.8	57.5	43.1	30.3	54.1
	<i>V</i>	mi/hr	9.6	9.4	9.4	10.5	9.2	7.6	7.2	6.7	7.6	8.7	9.2	8.9	8.7
	<i>I</i>	Btu/ft ² /day	426	678	1103	1501	1748	1923	1900	1624	1274	820	504	373	1156
	<i>P_A</i>	lb/in ²													14.33
La Crosse, WI	<i>T_{AN}</i>	°F	9.9	15.0	25.7	38.7	49.5	59.6	63.6	61.9	53.2	41.6	29.3	16.5	38.7
	<i>T_{AX}</i>	°F	25.6	31.4	43.7	58.7	70.1	79.5	83.2	81.0	73.2	60.0	43.8	30.4	56.7
	<i>V</i>	mi/hr	8.7	8.9	9.2	9.8	9.2	8.1	7.6	7.4	8.3	9.2	9.4	8.7	8.7
	<i>I</i>	Btu/ft ² /day	507	767	1131	1445	1723	1887	1895	1615	1260	829	512	397	1164
	<i>P_A</i>	lb/in ²													14.36
Madison, WI	<i>T_{AN}</i>	°F	12.1	16.2	25.4	36.7	47.3	57.6	61.5	59.8	51.0	40.1	29.3	17.6	37.9
	<i>T_{AX}</i>	°F	26.7	31.6	43.3	57.0	68.3	77.8	81.0	79.2	72.1	59.4	44.5	31.4	56.0
	<i>V</i>	mi/hr	8.5	8.5	8.9	9.6	8.3	6.9	6.5	6.0	6.7	7.8	8.5	8.1	7.8
	<i>I</i>	Btu/ft ² /day	441	718	1122	1478	1735	1931	1911	1634	1324	871	541	422	1177
	<i>P_A</i>	lb/in ²													14.24
Milwaukee, WI	<i>T_{AN}</i>	°F	16.9	20.6	28.5	38.1	47.7	58.5	64.2	64.1	55.9	44.6	33.0	21.9	41.2
	<i>T_{AX}</i>	°F	29.5	33.1	42.5	53.6	64.5	75.0	79.6	78.4	71.5	59.6	46.1	33.8	55.6
	<i>V</i>	mi/hr	11.0	10.7	10.7	11.6	10.3	8.7	8.9	8.5	8.9	10.1	10.5	10.5	10.1
	<i>I</i>	Btu/ft ² /day	477	755	1096	1444	1729	1926	1894	1612	1322	873	536	411	1173
	<i>P_A</i>	lb/in ²													14.34
Casper, WY	<i>T_{AN}</i>	°F	16.2	18.1	23.7	30.0	38.7	46.7	54.4	53.3	43.4	32.7	23.8	16.4	33.1

Location	Symbol	Units	Jan	Feb	Mar	Apr	May	Jun	Jul	Aug	Sep	Oct	Nov	Dec	Annual
	T_{AX}	°F	35.1	38.5	47.8	55.6	66.5	77.7	87.6	85.6	74.2	59.0	44.7	35.1	58.9
	V	mi/hr	14.8	13.4	12.5	11.6	10.5	10.3	9.2	9.4	9.8	11.0	13.4	15.0	11.6
	I	Btu/ft ² /day	601	877	1259	1631	1980	2243	2292	1988	1552	1046	650	505	1385
	P_A	lb/in ²													12.13
Cheyenne, WY	T_{AN}	°F	18.8	19.8	25.1	31.3	40.7	49.2	56.1	54.6	45.4	34.4	25.1	19.1	35.0
	T_{AX}	°F	38.8	40.4	47.3	53.7	63.9	74.3	82.6	80.2	71.3	58.0	45.8	38.6	57.9
	V	mi/hr	14.1	13.6	13.6	13.2	12.1	11.0	9.8	9.8	10.5	11.9	13.2	13.9	12.3
	I	Btu/ft ² /day	712	975	1360	1668	1919	2196	2163	1883	1588	1131	761	609	1414
	P_A	lb/in ²													11.78
Lander, WY	T_{AN}	°F	12.5	16.2	24.9	32.5	41.6	49.6	57.5	56.1	46.4	34.2	21.8	13.2	33.9
	T_{AX}	°F	32.0	36.2	46.9	55.1	65.7	76.0	86.2	84.3	73.0	57.8	42.6	32.3	57.3
	V	mi/hr	4.9	4.9	6.7	7.4	7.4	7.4	7.2	6.9	6.5	5.6	5.1	4.9	6.3
	I	Btu/ft ² /day	640	920	1320	1658	2026	2242	2256	1966	1564	1086	696	551	1411
	P_A	lb/in ²													12.02
Rock Springs, WY	T_{AN}	°F	13.6	15.5	23.8	29.7	38.6	46.8	55.0	53.3	43.6	33.2	22.1	14.2	32.5
	T_{AX}	°F	29.2	32.3	42.8	51.9	62.7	73.0	82.9	80.2	69.4	55.5	39.9	29.6	54.1
	V	mi/hr	12.1	11.2	12.1	12.3	11.2	10.7	9.4	8.9	9.4	11.0	11.2	11.4	11.0
	I	Btu/ft ² /day	654	928	1342	1738	2044	2307	2301	2019	1673	1186	716	564	1456
	P_A	lb/in ²													13.05
Sheridan, WY	T_{AN}	°F	13.0	16.8	23.4	31.4	39.8	47.9	54.8	53.2	43.5	32.5	21.5	13.6	32.6
	T_{AX}	°F	34.4	38.5	47.5	55.7	65.4	74.8	85.9	85.2	74.0	58.8	45.5	35.4	58.4
	V	mi/hr	6.5	6.9	7.8	8.9	8.3	7.2	6.5	6.0	6.3	6.7	6.5	6.5	6.9
	I	Btu/ft ² /day	482	767	1145	1509	1850	2030	2152	1860	1419	909	569	429	1260
	P_A	lb/in ²													12.73

^a Reference 14. Data for this table are 20-year averages for the years 1991 through 2010, prepared by the National Renewable Energy Laboratory and compiled in the National Solar Radiation Database. Only Class I sites are summarized in this table, but similar meteorological data for several hundred Class II sites may be obtained from this reference. Similar historical averages of meteorological data from nearby National Weather Service sites or site-specific data may also be used. *NOTE: The current table reflects the hourly average minimum and maximum ambient temperatures while this table in the previous version of Chapter 7 contained the average daily minimum and maximum ambient temperatures.*

T_{AX} = hourly average maximum ambient temperature

T_{AN} = hourly average minimum ambient temperature

V = average wind speed

I = average daily total insolation factor

P_A = average atmospheric pressure

Table 7.1-8. RIM-SEAL LOSS FACTORS, K_{Ra} , K_{Rb} , and n , FOR FLOATING ROOF TANKS^a

Tank Construction And Rim-Seal System	Average-Fitting Seals		
	K_{Ra} (lb-mole/ft-yr)	K_{Rb} [lb-mole/(mph) ⁿ -ft-yr]	n (dimensionless)
Welded Tanks			
Mechanical-shoe seal			
Primary only ^b	5.8	0.3	2.1
Shoe-mounted secondary	1.6	0.3	1.6
Rim-mounted secondary	0.6	0.4	1.0
Liquid-mounted seal			
Primary only	1.6	0.3	1.5
Weather shield	0.7	0.3	1.2
Rim-mounted secondary	0.3	0.6	0.3
Vapor-mounted seal			
Primary only	6.7 ^c	0.2	3.0
Weather shield	3.3	0.1	3.0
Rim-mounted secondary	2.2	0.003	4.3
Riveted Tanks			
Mechanical-shoe seal			
Primary only	10.8	0.4	2.0
Shoe-mounted secondary	9.2	0.2	1.9
Rim-mounted secondary	1.1	0.3	1.5
Tight-Fitting ^d Seals			
Tank Construction And Rim-Seal System	K_{Ra} (lb-mole/ft-yr)	K_{Rb} [lb-mole/(mph) ⁿ -ft-yr]	n (dimensionless)
Welded Tanks			
Mechanical-shoe seal			
Primary only	1.5	0.4	1.9
Shoe-mounted secondary	1.0	0.4	1.5
Rim-mounted secondary	0.4	0.4	1.0
Liquid-mounted seal			
Primary only	1.0	0.08	1.8
Weather shield	0.4	0.2	1.3
Rim-mounted secondary	0.2	0.4	0.4
Vapor-mounted seal			
Primary only	5.6	0.2	2.4
Weather shield	2.8	0.1	2.3
Rim-mounted secondary	2.2	0.02	2.6

Note: The rim-seal loss factors K_{Ra} , K_{Rb} , and n may only be used for wind speeds below 15 miles per hour.

^a References 5 and 15.

^b If no specific information is available, a welded tank with an average-fitting mechanical-shoe primary seal can be used to represent the most common or typical construction and rim-seal system in use for external and domed external floating roof tanks.

^c If no specific information is available, this value can be assumed to represent the most common or typical rim-seal system currently in use for internal floating roof tanks.

^d “Tight-fitting” means that the rim seal is maintained with no gaps greater than 1/8 in. wide between the rim seal and the tank shell. It is not appropriate to use the values for tight-fitting seals unless the seal is known to be maintained with gaps no greater than 1/8 in. through the full range of liquid level in the tank.

Table 7.1-9. RESERVED

Table 7.1-10. AVERAGE CLINGAGE FACTORS, C_s^a
(bbl/10³ ft²)

Product Stored	Shell Condition		
	Light Rust	Dense Rust	Guniting Lining
Gasoline	0.0015	0.0075	0.15
Single-component stocks	0.0015	0.0075	0.15
Crude oil	0.0060	0.030	0.60

^a Reference 5. If no specific information is available, the values in this table can be assumed to represent the most common or typical condition of tanks currently in use.

Table 7.1-11. TYPICAL NUMBER OF COLUMNS AS A FUNCTION OF TANK DIAMETER FOR INTERNAL FLOATING ROOF TANKS WITH COLUMN-SUPPORTED FIXED ROOFS^a

Tank Diameter Range D, (ft)	Typical Number Of Columns, N_c
$0 < D \leq 85$	1
$85 < D \leq 100$	6
$100 < D \leq 120$	7
$120 < D \leq 135$	8
$135 < D \leq 150$	9
$150 < D \leq 170$	16
$170 < D \leq 190$	19
$190 < D \leq 220$	22
$220 < D \leq 235$	31
$235 < D \leq 270$	37
$270 < D \leq 275$	43
$275 < D \leq 290$	49
$290 < D \leq 330$	61
$330 < D \leq 360$	71
$360 < D \leq 400$	81

^a Reference 5. This table was derived from a survey of users and manufacturers. The actual number of columns in a particular tank may vary greatly with age, fixed roof style, loading specifications, and manufacturing prerogatives. Data in this table should not be used when actual tank data are available.

Table 7.1-12. DECK-FITTING LOSS FACTORS, K_{Fa} , K_{Fb} ,
AND m , AND TYPICAL NUMBER OF DECK FITTINGS, N_F^a

Fitting Type And Construction Details ^a	Loss Factors			Typical Number Of Fittings, N_F
	K_{Fa} (lb-mole/yr)	K_{Fb} (lb-mole/(mph) ^m -yr)	m (dimensionless)	
Access hatch				1
Bolted cover, gasketed ^b	1.6	0	0	
Unbolted cover, ungasketed	36 ^c	5.9	1.2	
Unbolted cover, gasketed	31	5.2	1.3	
Fixed roof support column well ^d				N_c (Table 7.1-11)
Round pipe, ungasketed sliding cover	31	p		
Round pipe, gasketed sliding cover	25	p		
Round pipe, flexible fabric sleeve seal	10	p		
Built-up column, ungasketed sliding cover ^e	51	p		
Built-up column, gasketed sliding cover	33	p		
Unslotted guidepole and well				f
Ungasketed sliding cover	31	150	1.4	
Ungasketed sliding cover w/pole sleeve	25	2.2	2.1	
Gasketed sliding cover	25	13	2.2	
Gasketed sliding cover w/pole wiper	14	3.7	0.78	
Gasketed sliding cover w/pole sleeve	8.6	12	0.81	
Slotted guidepole/sample well ^e				f
Ungasketed or gasketed sliding cover	43	270	1.4	
Ungasketed or gasketed sliding cover, with float ^g	31	36	2.0	
Gasketed sliding cover, with pole wiper	41	48	1.4	
Gasketed sliding cover, with pole sleeve	11	46	1.4	
Gasketed sliding cover, with pole sleeve and pole wiper	8.3	4.4	1.6	
Gasketed sliding cover, with float and pole wiper ^g	21	7.9	1.8	
Gasketed sliding cover, with float, pole sleeve, and pole wiper ^h	11	9.9	0.89	
Flexible enclosure ⁱ	21	7.9	1.8	
Gauge-float well (automatic gauge)				1
Unbolted cover, ungasketed ^b	14 ^c	5.4	1.1	
Unbolted cover, gasketed	4.3	17	0.38	
Bolted cover, gasketed	2.8	0	0	
Gauge-hatch/sample port				1
Weighted mechanical actuation, gasketed ^b	0.47	0.02	0.97	
Weighted mechanical actuation, ungasketed	2.3	0	0	
Slit fabric seal, 10% open area ^c	12	p		
Vacuum breaker				N_{vb} (Table 7.1-13) ^j
Weighted mechanical actuation, ungasketed	7.8	0.01	4.0	
Weighted mechanical actuation, gasketed ^b	6.2 ^c	1.2	0.94	

Fitting Type And Construction Details ^a	Loss Factors			Typical Number Of Fittings, N _F
	K _{Fa} (lb-mole/yr)	K _{Fb} (lb-mole/(mph) ^m -yr)	m (dimensionless)	
Deck drain (3-inch diameter)				
Open ^b	1.5	0.21	1.7	N _d (Table 7.1-13),
90% closed	1.8	0.14	1.1	
Stub drain (1-inch diameter) ^k	1.2	p		N _d (Table 7.1-15)
Deck leg, IFR-type (total sleeve length approx. 12 inches) ^m				N _i (Table 7.1-15)
Adjustable ^c	7.9	p		
Deck leg, EFR-type (pontoon area of pontoon roofs; total sleeve length approx. 30 inches)				N _i (Table 7.1-14)
Adjustable - ungasketed ^b	2.0	0.37	0.91	
Adjustable - gasketed	1.3	0.08	0.65	
Adjustable - sock	1.2	0.14	0.65	
Deck leg, EFR-type (double-deck roofs and center area of pontoon roofs, total sleeve length approx. 48 inches)				N _i (Table 7.1-14)
Adjustable - ungasketed ^b	0.82	0.53	0.14	
Adjustable - gasketed	0.53	0.11	0.13	
Adjustable - sock	0.49	0.16	0.14	
Deck leg or hanger (no opening through deck)				N _i may be set as 0 (no openings)
Fixed	0	0	0	
Rim vent ⁿ				1
Weighted mechanical actuation, ungasketed	0.68	1.8	1.0	
Weighted mechanical actuation, gasketed ^b	0.71	0.10	1.0	
Ladder well				1 ^d
Sliding cover, ungasketed ^c	98	p		
Sliding cover, gasketed	56	p		
Ladder-slotted guidepole combination well				1 ^d
Sliding cover, ungasketed	98	p		
Ladder sleeve, ungasketed sliding cover	65	p		
Ladder sleeve, gasketed sliding cover	60	p		

Note: The deck-fitting loss factors, K_{Fa}, K_{Fb}, and m, may only be used for wind speeds below 15 miles per hour.

^a Reference 5, unless otherwise indicated.

^b If no specific information is available, this value can be assumed to represent the most common or typical deck fitting currently in use for external and domed external floating roof tanks.

^c If no specific information is available, this value can be assumed to represent the most common or typical deck fitting currently in use for internal floating roof tanks.

^d Column wells and ladder wells are not typically used with self-supported fixed roofs.

^e References 16,19.

^f There is no typical quantity or configuration of unslotted or slotted guidepoles, and thus tank specific data should be obtained.

^g Tests were conducted with floats positioned with the float wiper at and 1 inch above the sliding cover.

The user is cautioned against applying these factors to floats that are positioned with the wiper or top of

the float below the sliding cover ("short floats"). The emission factor for such a float is expected to be between the factors for a guidepole without a float and with a float, depending upon the position of the float top and/or wiper within the guidepole.

- ^h Tests were conducted with floats positioned with the float wiper at varying heights with respect to the sliding cover. This fitting configuration also includes a pole sleeve which restricts the airflow from the well vapor space into the slotted guidepole. Consequently, the float position within the guidepole (at, above, or below the sliding cover) is not expected to significantly affect emission levels for this fitting configuration, since the function of the pole sleeve is to restrict the flow of vapor from the vapor space below the deck into the guidepole.
- ⁱ A flexible enclosure surrounds the guidepole from the gasketed cover at the deck opening up to an elevation on the guidepole above all slots or holes through the guidepole. EPA's Storage Tank Emission Reduction Partnership Program granted the flexible enclosure system equivalency to the pole float system. [65 FR 19891(04/13/00)]
- ^j $N_{vb} = 1$ for internal floating roof tanks.
- ^k Stub drains are not used on welded contact internal floating decks.
- ^m Loss factors for EFR-type deck legs may be used for an IFR if the total height of the leg sleeves, including the portion extending down into the liquid, is similar to that of the EFR-type deck leg.
- ⁿ Rim vents are used only with mechanical-shoe primary seals.
- ^p Deck fittings with only a K_{Fa} factor and no K_{Fb} or m factor should not be applied to external floating roof tanks because the emission factor for such deck fittings does not account for wind effects.
- ^q Emission factors for IFR deck fittings that are not listed in this table may be calculated using equation 2-17.

Table 7.1-13. EXTERNAL FLOATING ROOF TANKS: TYPICAL NUMBER OF VACUUM BREAKERS, N_{vb} , AND DECK DRAINS, N_d ^a

Tank Diameter D (feet) ^b	Number Of Vacuum Breakers, N_{vb}		Number Of Deck drains, N_d
	Pontoon Roof	Double-Deck Roof	
50	1	1	1
100	1	1	1
150	2	2	2
200	3	2	3
250	4	3	5
300	5	3	7
350	6	4	ND
400	7	4	ND

^a Reference 5. This table was derived from a survey of users and manufacturers. The actual number of vacuum breakers may vary greatly depending on throughput and manufacturing prerogatives. The actual number of deck drains may also vary greatly depending on the design rainfall and manufacturing prerogatives. For tanks more than 350 feet in diameter, actual tank data or the manufacturer's recommendations may be needed for the number of deck drains. This table should not be used when actual tank data are available. ND = no data.

^b If the actual diameter is between the diameters listed, the closest diameter listed should be used. If the actual diameter is midway between the diameters listed, the next larger diameter should be used.

Table 7.1-14. EXTERNAL FLOATING ROOF TANKS: TYPICAL NUMBER OF ROOF LEGS, N_r^a

Tank Diameter, D (feet) ^b	Pontoon Roof		Number Of Legs On Double-Deck Roof
	Number Of Pontoon Legs	Number Of Center Legs	
30	4	2	6
40	4	4	7
50	6	6	8
60	9	7	10
70	13	9	13
80	15	10	16
90	16	12	20
100	17	16	25
110	18	20	29
120	19	24	34
130	20	28	40
140	21	33	46
150	23	38	52
160	26	42	58
170	27	49	66
180	28	56	74
190	29	62	82
200	30	69	90
210	31	77	98
220	32	83	107
230	33	92	115
240	34	101	127
250	35	109	138
260	36	118	149
270	36	128	162
280	37	138	173
290	38	148	186
300	38	156	200
310	39	168	213
320	39	179	226
330	40	190	240
340	41	202	255
350	42	213	270
360	44	226	285
370	45	238	300
380	46	252	315
390	47	266	330
400	48	281	345

^a Reference 5. This table was derived from a survey of users and manufacturers. The actual number of roof legs may vary greatly depending on age, style of floating roof, loading specifications, and manufacturing prerogatives. This table should not be used when actual tank data are available.

^b If the actual diameter is between the diameters listed, the closest diameter listed should be used. If the actual diameter is midway between the diameters listed, the next larger diameter should be used.

Table 7.1-15. INTERNAL FLOATING ROOF TANKS: TYPICAL NUMBER OF DECK LEGS, N_l , AND STUB DRAINS, N_d ^a

Deck fitting type	Typical Number Of Fittings, N_F
Deck leg or hanger well ^b	$(5 + \frac{D}{10} + \frac{D^2}{600})$
Stub drain (1-inch diameter) ^{b,c}	$(\frac{D^2}{125})$

^a Reference 5.

^b D = tank diameter, ft

^c Not used on welded contact internal floating decks.

Table 7.1-16. DECK SEAM LENGTH FACTORS (S_D) FOR TYPICAL DECK CONSTRUCTIONS FOR INTERNAL FLOATING ROOF TANKS^a

Deck Construction	Typical Deck Seam Length Factor, S_D (ft/ft ²)
Continuous sheet construction ^b	
5 ft wide	0.20 ^c
6 ft wide	0.17
7 ft wide	0.14
Panel construction ^d	
5 x 7.5 ft rectangular	0.33
5 x 12 ft rectangular	0.28

^a Reference 5. Deck seam loss applies to bolted decks only.

^b $S_D = 1/W$, where W = sheet width (ft).

^c If no specific information is available, this value can be assumed to represent the most common bolted decks currently in use.

^d $S_D = (L+W)/LW$, where W = panel width (ft) and L = panel length (ft).

Table 7.1-17. ROOF LANDING LOSSES FOR INTERNAL OR DOMED EXTERNAL
FLOATING ROOF TANK WITH A LIQUID HEEL^a

Standing Idle Loss	$L_{SL} = n_d K_E \frac{P_{VA} V_V}{R T_V} M_V K_S$ <p style="text-align: right;">Equation 3-7</p> $L_{SL} \leq 5.9 D^2 h_{le} W_l$ <p style="text-align: right;">Equation 3-4</p>
Standing Idle Saturation Factor	$K_S = \frac{1}{1 + 0.053 P_{VA} H_{VO}}$ <p style="text-align: right;">Equation 1-21</p> <p>Where H_{VO} is set equal to h_v.</p>
Filling Loss Equation	$L_{FL} = \left(\frac{P_{VA} V_V}{R T_V} \right) M_V (C_{sf} S)$ <p style="text-align: right;">Equation 3-18</p> <p>Where C_{sf} is set equal to 1.</p> $L_{FL} \leq (5.9 D^2 h_{le} W_l) - L_{SL} + 0.15 \frac{P_{VA} V_V}{R T_V} M_V$ <p style="text-align: right;">Equation 3-16</p>
Filling Saturation Factor (S)	<p>S = 0.60 for a full liquid heel</p> <p>S = 0.50 for a partial liquid heel</p>

^a Reference 21.

Table 7.1-18. ROOF LANDING LOSSES FOR EXTERNAL FLOATING ROOF TANK WITH A LIQUID HEEL^a

Standing Idle Loss	$L_{SL} = 0.57 n_d D P^* M_V$ $L_{SL} \leq 5.9 D^2 h_{le} W_l$	<p>Equation 3-10</p> <p>Equation 3-4</p>
Standing Idle Saturation Factor	Not applicable	
Filling Loss Equation	$L_{FL} = \left(\frac{P_{VA} V_V}{R T_V} \right) M_V (C_{sf} S)$ $C_{sf} = 1 - \left(\frac{(0.57 \cdot 1 \cdot D \cdot P^* \cdot M_V) - \left(1 \cdot K_E \cdot \left(\frac{P_{VA} \cdot V_V}{R \cdot T_V} \right) \cdot M_V \cdot K_S \right)}{\left(1 \cdot K_E \cdot \left(\frac{P_{VA} \cdot V_V}{R \cdot T_V} \right) \cdot M_V \cdot K_S \right) + \left(\left(\frac{P_{VA} \cdot V_V}{R \cdot T_V} \right) \cdot M_V \cdot (1 \cdot S) \right)} \right)$ $L_{FL} \leq (5.9 D^2 h_{le} W_l) - L_{SL} + 0.15 \frac{P_{VA} V_V}{R T_V} M_V$	<p>Equation 3-18</p> <p>Equation 3-21</p> <p>Equation 3-16</p>
Filling Saturation Factor (S)	<p>S = 0.6 for a full liquid heel</p> <p>S = 0.5 for a partial liquid heel</p> $C_{sf} S \geq 0.15$	

^a Reference 21.

Table 7.1-19. ROOF LANDING LOSSES FOR ALL DRAIN-DRY TANKS^a

Standing Idle Loss	$L_{SL} = 0.0063 W_l \left(\frac{\pi D^2}{4} \right)$ <p style="text-align: right;">Equation 3-12</p> $L_{SL} \leq 0.60 \frac{P_{VA} V_V}{R T_V} M_V$ <p style="text-align: right;">Equation 3-15</p>
Standing Idle Saturation Factor	Not applicable
Filling Loss Equation	$L_{FL} = \left(\frac{P_{VA} V_V}{R T_V} \right) M_V (C_{sf} S)$ <p style="text-align: right;">Equation 3-18</p> <p>Where C_{sf} is set equal to 1.</p>
Filling Saturation Factor (S)	S = 0.15

^a Reference 21.

Table 7.1-20. TANK CLEANING EQUATIONS – VAPOR SPACE PURGE EMISSIONS^a

Vapor Space Purge	$L_P = \frac{P_{VA} V_V}{R T_V} M_V S$ <p style="text-align: right;">Equation 4-2</p>
Vapor Space Volume, V_V	<p><u>Fixed Roof Tank</u></p> $V_V = H_{VO} (\pi D^2/4)$ <p style="text-align: right;">Equation 4-3</p> <p>where:</p> <p style="padding-left: 40px;">H_{VO} = the fixed-roof tank vapor space outage (ft)</p> <p><u>Floating Roof Tank</u></p> $V_V = h_v (\pi D^2/4)$ <p style="text-align: right;">Equation 4-9</p> <p>where:</p> <p style="padding-left: 40px;">h_v = the height of the vapor space under the landed floating roof (ft)</p>
Saturation Factor, S	<p><u>Fixed Roof Tank</u></p> $S = (0.5 n_d + 1) / 6$ <p style="text-align: right;">Equation 4-6</p> <p>where:</p> <p style="padding-left: 40px;">n_d = period of time standing idle after emptying and before commencement of forced ventilation (days)</p> <p>$S \geq 0.25$ Equation 4-7</p> <p>$S \leq 0.5$ Equation 4-8</p> <p><u>Floating Roof Tank (function of heel condition and tank type)</u></p> <p>$S = 0.6 C_{sf}$ full liquid heel</p> <p>$S = 0.5 C_{sf}$ partial liquid heel</p> <p>$S = 0$ drain dry tanks</p> <p>where:</p> <p style="padding-left: 40px;">$C_{sf} = 1.0$ for IFRTs (and Domed EFRTs);</p> <p style="padding-left: 40px;">C_{sf} evaluated per Equation 3-21 for EFRTs for the initial vapor space purge; set to 1.0 for subsequent vapor space purges that follow ventilation having been shut off overnight.</p>

^a Reference 23.

Table 7.1-21. TANK CLEANING EQUATIONS – CONTINUED FORCED VENTILATION EMISSIONS^a

Continued Forced Ventilation	$L_{CV} = 60 Q_v n_{CV} t_v C_V \left(\frac{P_a M_{CG}}{R T_V} \right)$	Equation 4-10
Prior Stock Remains	$L_{CV} \leq 5.9 D^2 h_e W_l$	Equation 4-12
Distillate Flushing	If liquid is being circulated through the tank, there would be no mass-based limit on emissions in that the liquid is being continually replenished. If a fixed amount of liquid is added to the tank, emissions could not then exceed the mass of the remaining heel plus the added distillate.	
Only Sludge Remains	$L_{CV} \leq 0.49 F_e D^2 d_s W_l$	Equation 4-13

^a Reference 23.

7.1.5 Sample Calculations

The examples given in this section present estimated emissions to two significant figures. This level of precision is chosen arbitrarily and may overstate the accuracy of the loss estimates given the uncertainty associated with the multiple parameters affecting emissions from storage tanks.

Example 1 - Chemical Mixture in a Fixed Roof Tank

Determine the yearly emission rate of the total product mixture and each component for a chemical mixture stored in a vertical cone roof tank in Denver, Colorado. The chemical mixture contains (for every 3,171 lb of mixture) 2,812 lb of benzene, 258 lb of toluene, and 101 lb of cyclohexane. The tank is 6 ft in diameter, 12 ft high, usually holds about 8 ft of product, and is painted white. The liquid level typically ranges between 4.5 feet and 11.5 feet, and thus the tank working volume is 1,480 gallons. The throughput of the tank is 8,450 gal/yr. The liquid bulk temperature is not known, but the tank is not insulated and storage conditions are in approximate equilibrium with ambient conditions.

Solution

1. Determine tank type. The tank is a fixed-cone roof, vertical tank.
2. Determine estimating methodology. The product is made up of three organic liquids, all of which are miscible in each other, which makes a homogenous mixture if the material is well mixed. The tank emission rate will be based upon the properties of the mixture. Raoult's Law (as discussed in the Speciation Section) is assumed to apply to the mixture and will be used to determine the properties of the mixture.
3. Select equations to be used. For a vertical, fixed roof storage tank, the following equations apply:

$$L_T = L_S + L_W \quad (1-1)$$

$$L_S = 365 V_V W_V K_E K_S \quad (1-2)$$

$$L_W = V_Q K_N K_P W_V K_B \quad (1-35)$$

where:

L_T = total loss, lb/yr

L_S = standing loss, lb/yr

L_W = working loss, lb/yr

V_V = tank vapor space volume, ft³

$$V_V = \pi/4 D^2 H_{VO} \quad (1-3)$$

W_V = vapor density, lb/ft³

$$W_V = \frac{M_V P_{VA}}{R T_V} \quad (1-22)$$

K_E = vapor space expansion factor, per day

$$K_E = \frac{\Delta T_V}{T_{LA}} + \frac{\Delta P_V - \Delta P_B}{P_A - P_{VA}} \quad (1-5)$$

K_S = vented vapor space saturation factor, dimensionless

$$K_S = \frac{1}{1 + 0.053 P_{VA} H_{VO}} \quad (1-21)$$

D = diameter, ft

H_{VO} = vapor space outage, ft

M_V = molecular weight of vapor, lb/lb-mole

P_{VA} = vapor pressure at the average daily liquid surface temperature, psia

R = ideal gas constant = $\frac{10.731 \text{ psia} \cdot \text{ft}^3}{\text{lb-mole} \cdot ^\circ\text{R}}$

T_V = average vapor temperature, $^\circ\text{R}$

T_{LA} = average daily liquid surface temperature, $^\circ\text{R}$

ΔT_V = average daily vapor temperature range, $^\circ\text{R}$

ΔP_V = average daily vapor pressure range, psia

ΔP_B = breather vent pressure setting range, psi

P_A = atmospheric pressure, psia

V_Q = net working loss throughput, ft^3/yr

K_N = working loss turnover factor, dimensionless

K_P = working loss product factor, dimensionless

K_B = vent setting correction factor, dimensionless

4. Calculate each component of the standing loss and working loss functions.

a. Tank vapor space volume, V_V :

$$V_V = (\pi/4) D^2 H_{VO} \quad (1-3)$$

where:

D = 6 ft (given)

For a cone roof, the vapor space outage, H_{VO} is calculated by:

$$H_{VO} = H_S - H_L + H_{RO} \quad (1-16)$$

where:

H_S = tank shell height, 12 ft (given)

H_L = stock liquid height, 8 ft (given)

H_{RO} = roof outage, $1/3 H_R = 1/3(S_R)(R_S)$ (1-17)

S_R = tank cone roof slope, 0.0625 ft/ft (given) (see Note 1 to Equation 1-16)

R_S = tank shell radius = $1/2 D = 1/2 (6) = 3$

Substituting values in Equation 1-17 yields,

$$H_{RO} = (1/3) (0.0625)(3) = 0.0625 \text{ ft}$$

Then use Equation 1-16 to calculate H_{VO} ,

$$H_{VO} = 12 - 8 + 0.0625 = 4.0625 \text{ ft}$$

Therefore,

$$V_V = \frac{\pi}{4} (6)^2 (4.0625) = 114.86 \text{ ft}^3$$

b. Vapor density, W_V :

$$W_V = \frac{M_V P_{VA}}{R T_V} \quad (1-22)$$

where:

$$R = \text{ideal gas constant} = 10.731 \frac{\text{psia} \cdot \text{ft}^3}{\text{lb-mole} \cdot \text{°R}}$$

M_V = stock vapor molecular weight, lb/lb-mole

P_{VA} = stock vapor pressure at the average daily liquid surface temperature T_{LA} , psia

T_V = average vapor temperature, °R

First, calculate T_{LA} using Equation 1-28.

$$T_{LA} = 0.4 T_{AA} + 0.6 T_B + 0.005 \alpha I \quad (1-28)$$

where:

T_{AA} = average daily ambient temperature, °R

T_B = liquid bulk temperature, °R

I = average daily total insolation, Btu/ft²·d = 1,491 (see Table 7.1-7)

α = tank surface solar absorptance = 0.25 (see Table 7.1-6, for white paint in average condition)

T_{AA} and T_B must be calculated from Equations 1-30 and 1-31.

$$T_{AA} = \frac{T_{AX} + T_{AN}}{2} \quad (1-30)$$

from Table 7.1-7, for Denver, Colorado:

T_{AX} = average daily maximum ambient temperature = 63.5 °F

T_{AN} = average daily minimum ambient temperature = 37.9°F

Converting to °R:

$$T_{AX} = 63.5 + 459.7 = 523.2 \text{ °R}$$

$$T_{AN} = 37.9 + 459.7 = 497.6 \text{ °R}$$

Therefore,

$$T_{AA} = (523.2 + 497.6)/2 = 510.4^{\circ}\text{R}$$

$$T_B = \text{liquid bulk temperature} = T_{AA} + 0.003 \alpha I$$

(1-31)

$$T_{AA} = 510.4^{\circ}\text{R from previous calculation}$$

$$\alpha = \text{surface solar absorptance} = 0.25 \text{ (see Table 7.1-6)}$$

$I = \text{average daily total insolation on a horizontal surface} = 1,491 \text{ Btu/ft}^2 \cdot \text{d}$ (see Table 7.1-7)

Substituting values in Equation 1-31

$$T_B = 510.4 + 0.003 (0.25) 1,491 = 511.5^{\circ}\text{R}$$

Using Equation 1-28,

$$T_{LA} = (0.4) 510.4^{\circ}\text{R} + 0.6 (511.5^{\circ}\text{R}) + 0.005 (0.25) (1,491) = 512.9^{\circ}\text{R}$$

Second, calculate P_{VA} using Raoult's Law.

According to Raoult's Law, the partial pressure of a component is the product of its pure vapor pressure and its liquid mole fraction. The total vapor pressure of the component mixture stock is equal to the sum of the partial pressures of its components.

The pure vapor pressures for benzene, toluene, and cyclohexane can be calculated from Antoine's equation. Table 7.1-3 provides the Antoine's coefficients for benzene, which are $A = 6.906$, $B = 1,211.0$, and $C = 220.79$. For toluene, $A = 7.017$, $B = 1,377.6$, and $C = 222.64$. For cyclohexane, $A = 6.845$, $B = 1,203.5$, and $C = 222.86$. Therefore:

$$\log P = A - \frac{B}{T + C}$$

$$T_{LA}, \text{ average liquid surface temperature } (^{\circ}\text{C}) = (512.9 - 491.7)/1.8 = 11.8$$

For benzene,

$$\log P = 6.906 - \frac{1,211.0}{(11.8 + 220.79)}$$

$$P = 50.05 \text{ mmHg} = 0.968 \text{ psia}$$

Similarly, for toluene and cyclohexane:

$$P = 0.267 \text{ psia for toluene}$$

$$P = 1.006 \text{ psia for cyclohexane}$$

In order to calculate the mixture vapor pressure, the partial pressures need to be calculated for each component. The partial pressure is the product of the pure vapor pressures of each component (calculated above) and the mole fractions of each component in the liquid.

The mole fractions of each component are calculated as follows:

Component	Amount, lb	M_i	Moles	x_i
Benzene	2,812	78.11	36.0	0.90
Toluene	258	92.14	2.80	0.07
Cyclohexane	101	84.16	1.20	0.03
Total			40.0	1.00

where:

M_i = molecular weight of component

x_i = liquid mole fraction

The partial pressures of the components can then be calculated by multiplying the pure vapor pressure by the liquid mole fraction as follows:

Component	P at 53.2°F	x_i	P_{partial}
Benzene	0.968	0.90	0.871
Toluene	0.267	0.07	0.019
Cyclohexane	1.006	0.03	0.030
Total		1.0	0.920

The vapor pressure of the mixture is then 0.920 psia.

Third, calculate the molecular weight of the vapor, M_V . Molecular weight of the vapor depends upon the mole fractions of the components in the vapor.

$$M_V = \sum M_i y_i$$

where:

M_i = molecular weight of the component

y_i = vapor mole fraction

The vapor mole fractions, y_i , are equal to the partial pressure of the component divided by the total vapor pressure of the mixture.

Therefore,

$$y_{\text{benzene}} = P_{\text{partial}}/P_{\text{total}} = 0.871/0.920 = 0.947$$

Similarly, for toluene and cyclohexane,

$$y_{\text{toluene}} = P_{\text{partial}}/P_{\text{total}} = 0.021$$

$$y_{\text{cyclohexane}} = P_{\text{partial}}/P_{\text{total}} = 0.033$$

The mole fractions of the vapor components sum to 1.0.

The molecular weight of the vapor can be calculated as follows:

Component	M _i	y _i	M _v
Benzene	78.11	0.947	74.0
Toluene	92.14	0.021	1.93
Cyclohexane	84.16	0.033	2.78
Total		1.0	78.7

Now calculate T_V using Equation 1-33.

$$T_V = 0.7T_{AA} + 0.3T_B + 0.009 \alpha I \quad (1-33)$$

$$T_V = 0.7(510.4) + 0.3(511.5) + 0.009(0.25)(1,491)$$

$$T_V = 514.1 \text{ } ^\circ\text{R}$$

Since all variables have now been solved, the stock density, W_V, can be calculated:

$$W_V = \frac{M_V P_{VA}}{R T_V}$$

$$\frac{(78.7)(0.920)}{(10.731)(514.1)} = 1.31 \times 10^{-2} \frac{\text{lb}}{\text{ft}^3}$$

c. Vapor space expansion factor, K_E:

$$K_E = \frac{\Delta T_V}{T_{LA}} + \frac{\Delta P_V - \Delta P_B}{P_A - P_{VA}} \quad (1-5)$$

where:

Δ T_V = average daily vapor temperature range, °R

Δ P_V = average daily vapor pressure range, °R

Δ P_B = breather vent pressure setting range, psia

P_A = atmospheric pressure, 12.08 psia for Denver, Colorado

P_{VA} = vapor pressure at average daily liquid surface temperature, psia = 0.920 psia (from Step 4b)

T_{LA} = average daily liquid surface temperature, °R = 512.9°R (from Step 4b)

First, calculate the average daily vapor temperature range from Equation 1-7:

$$\Delta T_V = 0.7 \Delta T_A + 0.02 \alpha I \quad (1-7)$$

where:

- ΔT_V = average daily vapor temperature range, °R
- ΔT_A = average daily ambient temperature range = $T_{AX} - T_{AN}$
- α = tank surface solar absorptance, 0.25 (given)
- I = average daily total insolation, 1,491 Btu/ft²•d (given)

from Table 7.1-7, for Denver, Colorado:

$$\begin{aligned} T_{AX} &= 63.5^\circ\text{F} \\ T_{AN} &= 37.9^\circ\text{F} \end{aligned}$$

Converting to °R,

$$\begin{aligned} T_{AX} &= 63.5 + 459.7 = 523.2^\circ\text{R} \\ T_{AN} &= 37.9 + 459.7 = 497.6^\circ\text{R} \end{aligned}$$

From Equation 1-11: $\Delta T_A = T_{AX} - T_{AN}$

$$\Delta T_A = 523.2 - 497.6 = 25.6^\circ\text{R}$$

Therefore,

$$\Delta T_V = 0.7 (25.6) + (0.02)(0.25) (1491) = 25.4^\circ\text{R}$$

Second, calculate the average daily vapor pressure range using Equation 1-9:

$$\Delta P_V = P_{VX} - P_{VN} \quad (1-9)$$

P_{VX}, P_{VN} = vapor pressures at the average daily maximum, minimum liquid temperatures can be calculated in a manner similar to the P_{VA} calculation shown earlier.

T_{LX} = maximum liquid temperature, $T_{LA} + 0.25 \Delta T_V$ (from Figure 7.1-17)

T_{LN} = minimum liquid temperature, $T_{LA} - 0.25 \Delta T_V$ (from Figure 7.1-17)

T_{LA} = 512.9 (from Step 4b)

ΔT_V = 25.4°R

T_{LX} = 512.9 + (0.25) (25.4) = 519.25°R or 59.55°F

T_{LN} = 512.9 - (0.25) (25.4) = 506.55°R or 46.85°F

Using Antoine's equation, the pure vapor pressures of each component at the minimum liquid surface temperature are:

P_{benzene} = 0.804 psia

P_{toluene} = 0.217 psia

$P_{\text{cyclohexane}}$ = 0.839 psia

The partial pressures for each component at T_{LN} can then be calculated as follows:

Component	P at 46.85°F	x_i	P_{partial}
Benzene	0.804	0.90	0.724
Toluene	0.217	0.07	0.015
Cyclohexane	0.839	0.03	0.025
Total		1.0	0.764

Using Antoine's equation, the pure vapor pressures of each component at the maximum liquid surface temperature are:

$$P_{\text{benzene}} = 1.156 \text{ psia}$$

$$P_{\text{toluene}} = 0.326 \text{ psia}$$

$$P_{\text{cyclohexane}} = 1.197 \text{ psia}$$

The partial pressures for each component at T_{LX} can then be calculated as follows:

Component	P at 59.55°F	x_i	P_{partial}
Benzene	1.156	0.90	1.040
Toluene	0.326	0.07	0.023
Cyclohexane	1.197	0.03	0.036
Total		1.0	1.099

Therefore, the vapor pressure range, $\Delta P_V = P_{LX} - P_{LN} = 1.099 - 0.764 = 0.335 \text{ psia}$.

Next, calculate the breather vent pressure, ΔP_B , from Equation 1-10:

$$\Delta P_B = P_{BP} - P_{BV} \quad (1-10)$$

where:

$$P_{BP} = \text{breather vent pressure setting} = 0.03 \text{ psia (given) (see Note 3 to Equation 1-5)}$$

$$P_{BV} = \text{breather vent vacuum setting} = -0.03 \text{ psig (given) (see Note 3 to Equation 1-5)}$$

$$\Delta P_B = 0.03 - (-0.03) = 0.06 \text{ psig}$$

$$P_A = 12.08 \text{ psia from Table 7.1-7, for Denver, Colorado}$$

Finally, K_E , can be calculated by substituting values into Equation 1-5.

$$K_E = \frac{25.4}{512.9} + \frac{(0.335 - 0.06)}{(12.08 - 0.920)} = 0.074$$

d. Vented vapor space saturation factor, K_S :

$$K_S = \frac{1}{1 + 0.053 P_{VA} H_{VO}} \quad (1-21)$$

where:

$$P_{VA} = 0.920 \text{ psia (from Step 4b)}$$

$$H_{VO} = 4.0625 \text{ ft (from Step 4a)}$$

$$K_S = \frac{1}{1+0.053 (0.920) (4.0625)} = 0.8355.$$

Calculate standing losses.

$$L_S = 365 V_V W_V K_E K_S$$

Using the values calculated above:

$$W_V = 1.31 \times 10^{-2} \frac{lb}{ft^3} \text{ (from step 4b)}$$

$$V_V = 114.86 \text{ ft}^3 \text{ (from Step 4a)}$$

$$K_E = 0.074 \text{ (from Step 4c)}$$

$$K_S = 0.835 \text{ (from Step 4d)}$$

$$L_S = 365 (1.31 \times 10^{-2})(114.86)(0.074)(0.835) = 34 \text{ lb/yr}$$

6. Calculate working losses.

The amount of VOCs emitted as a result of filling operations can be calculated from the following equation:

$$L_W = V_Q K_N K_P W_V K_E \quad (1-35)$$

where:

$$V_Q = 5.614 Q \text{ (when } \Sigma H_{QI} \text{ is unknown; equation 1-39)}$$

$$Q = 8,450 \text{ gal/yr} / 42 \text{ bbl/gal} = 201.2 \text{ bbl/yr (given)}$$

$$V_Q = 5.614 (201.2) = 1,130 \text{ ft}^3/\text{yr}$$

$$K_P = \text{product factor, dimensionless} = 0.75 \text{ for crude oils, } 1.0 \text{ for all other stocks}$$

$$K_N = 1 \text{ for turnovers } N \leq 36 \text{ (given)}$$

$$N = \text{turnovers per year}$$

$$N = \Sigma H_{QI} / (H_{LX} - H_{LN}) \quad (1-36)$$

$$\Sigma H_{QI} = (5.614 Q) / ((\pi/4) D^2) \quad (1-37)$$

$$\Sigma H_{QI} = (5.614) (201.2) / ((\pi/4) 6^2) = 39.9 \text{ ft}$$

$$H_{LX} = 11.5 \text{ ft (given)}$$

$$H_{LN} = 4.5 \text{ ft (given)}$$

$$N = 39.9 / (11.5 - 4.5) = 5.7$$

$$W_V = 1.31 \times 10^{-2} \text{ lb/ft}^3 \text{ (from Step 4b)}$$

$$K_B = 1 \text{ for vent settings of } \pm 0.03 \text{ psig (from Equation 1-35)}$$

$$L_W = (1,130)(1)(1)(0.0131)(1) = 15 \text{ lb/yr}$$

7. Calculate total losses, L_T .

$$L_T = L_S + L_W$$

where:

$$L_S = 34 \text{ lb/yr}$$

$$L_W = 15 \text{ lb/yr}$$

$$L_T = 34 + 15 = 49 \text{ lb/yr}$$

8. Calculate the amount of each component emitted from the tank.

The amount of each component emitted is equal to the weight fraction of the component in the vapor times the amount of total VOC emitted. Assuming 100 moles of vapor are present, the number of moles of each component will be equal to the mole fraction multiplied by 100. This assumption is valid regardless of the actual number of moles present. The vapor mole fractions were determined in Step 4b. The weight of a component present in a mixture is equal to the product of the number of moles and molecular weight, M_i , of the component. The weight fraction of each component is calculated as follows:

$$\text{Weight fraction}_i = \frac{\text{pounds}_i}{\text{total pounds}}$$

Therefore,

Component	No. of moles x M_i = Pounds _i			Weight fraction
Benzene	(0.947 x 100) = 94.7	78.11	7,397	0.94
Toluene	(0.021 x 100) = 2.1	92.14	193	0.02
Cyclohexane	(0.033 x 100) = 3.3	84.16	278	0.04
Total	100		7,868	1.0

The amount of each component emitted is then calculated as:

$$\text{Emissions of component}_i = (\text{weight fraction}_i)(L_T)$$

Component	$\begin{array}{c} \text{Weight fraction} \\ \times \\ \text{Total VOC emitted, lb/yr} \\ = \end{array}$		Emissions, lb/yr
Benzene	0.94	49	46
Toluene	0.02	49	1.0
Cyclohexane	0.04	49	2.0
Total			49

Example 2 - Chemical Mixture in a Horizontal Tank - Assuming that the tank mentioned in Example 1 is now horizontal, calculate emissions. (Tank diameter is 6 ft and length is 12 ft.)

Solution:

Emissions from horizontal tanks can be calculated by adjusting parameters in the fixed roof equations. Specifically, an effective diameter, D_E , is used in place of the tank diameter, D . The vapor space height, H_{VO} , is assumed to be half the actual tank diameter.

1. Horizontal tank adjustments. Make adjustments to horizontal tank values so that fixed roof tank equations can be used. The effective diameter, D_E , is calculated as follows:

$$D_E = \sqrt{\frac{LD}{\pi/4}}$$

$$D_E = \sqrt{\frac{12 \cdot 6}{\pi/4}} = 9.57 \text{ ft}$$

The vapor space height, H_{VO} is calculated as follows:

H_{VO} = vapor space outage, ft; use $H_E/2$ from Equation 1-15 for horizontal tanks

$$H_E = \frac{\pi}{4} D \quad (1-15)$$

where:

D = diameter of a vertical cross-section of the horizontal tank, ft

$$H_{VO} = (\pi/4) D / 2 = 2.36 \text{ ft}$$

2. Given the above adjustments the standing loss, L_S , can be calculated.

Calculate values for each effected variable in the standing loss equation.

$$L_S = 365 V_V W_V K_E K_S$$

V_V and K_S depend on the effective tank diameter, D_E , and vapor space height, H_{VO} .

These variables can be calculated using the values derived in Step 1:

$$V_V = \frac{\pi}{4} (D_E)^2 H_{VO}$$

$$V_V = \frac{\pi}{4} (9.57)^2 (2.36) = 170 \text{ ft}^3$$

$$K_S = \frac{1}{1 + (0.053) (P_{VA}) (H_{VO})}$$

$$K_S = \frac{1}{1 + 0.053 (0.920) (2.36)} = 0.897$$

3. Calculate standing loss using the values calculated in Step 2.

$$L_S = 365 V_V W_V K_E K_S$$

$$V_V = 170 \text{ ft}^3 \text{ (from Step 2)}$$

$$W_V = 1.31 \times 10^{-2} \text{ lb/ft}^3 \text{ (from Step 4b, example 1)}$$

$$K_E = 0.074 \text{ (from Step 4c, example 1)}$$

$$K_S = 0.897 \text{ (from Step 2)}$$

$$L_S = (365)(1.31 \times 10^{-2})(170)(0.074)(0.897)$$

$$L_S = 54 \text{ lb/yr}$$

4. Calculate working loss. Since the parameters for working loss do not depend on diameter or vapor space height, the working loss for a horizontal tank of the same capacity as the tank in Example 1 will be the same.

$$L_W = 15 \text{ lb/yr}$$

5. Calculate total emissions.

$$L_T = L_S + L_W$$

$$L_T = 54 + 15 = 69 \text{ lb/yr}$$

Example 3 - Chemical Mixture in an External Floating Roof Tank - Determine the yearly emission rate of a mixture that is 75 percent benzene, 15 percent toluene, and 10 percent cyclohexane, by weight, from a 100,000-gallon external floating roof tank with a pontoon roof. The tank is 20 feet in diameter. The tank has 10 turnovers per year. The tank has a mechanical shoe seal (primary seal) and a shoe-mounted secondary seal. The tank is made of welded steel and has a light rust covering the inside surface of the shell. The tank shell is painted white, and the tank is located in Newark, New Jersey. The floating deck is equipped with the following fittings: (1) an ungasketed access hatch with an unbolted cover, (2) an unspecified number of ungasketed vacuum breakers with weighted mechanical actuation, and (3) ungasketed gauge hatch/sample ports with weighted mechanical actuation.

Solution:

1. Determine tank type. The tank is an external floating roof storage tank.
2. Determine estimating methodology. The product consists of three organic liquids, all of which are miscible in each other, which make a homogenous mixture if the material is well mixed. The tank emission rate will be based upon the properties of the mixture. Because the components have similar structures and molecular weights, Raoult's Law is assumed to apply to the mixture.
3. Select equations to be used. For an external floating roof tank,

$$L_T = L_S + L_W \quad (2-1)$$

$$L_S = L_R + L_F + L_D \quad (2-2)$$

$$L_W = (0.943) Q C_S W_L / D \quad (2-19)$$

$$L_R = (K_{Ra} + K_{Rb} v^n) P^* D M_V K_C \quad (2-3)$$

$$L_F = F_F P^* M_V K_C \quad (2-13)$$

$$L_D = K_D S_D D^2 P^* M_V K_C \quad (2-18)$$

where:

L_T = total loss, lb/yr

L_W = working (withdrawal) loss, lb/yr

L_R = rim seal loss from external floating roof tanks, lb/yr

L_F = deck fitting loss, lb/yr

L_D = deck seam loss, lb/yr = 0 for external floating roof tanks

Q = product average throughput, bbl/yr

C_S = product withdrawal shell clingage factor, bbl/1,000 ft²; see Table 7.1-10

W_L = density of liquid, lb/gal

D = tank diameter, ft

K_{Ra} = zero wind speed rim seal loss factor, lb-mole/ft•yr; see Table 7.1.8

K_{Rb} = wind speed dependent rim seal loss factor, lb-mole/(mph)ⁿft•yr; see Table 7.1-8

v = average ambient wind speed for the tank site, mph

n = seal wind speed exponent, dimensionless
P* = the vapor pressure function, dimensionless

$$P^* = \frac{\frac{P_{VA}}{P_A}}{\left(1 + \left[1 - \left(\frac{P_{VA}}{P_A}\right)\right]^{0.5}\right)^2}$$

where:

P_{VA} = the true vapor pressure of the materials stored, psia
P_A = atmospheric pressure, psia = 14.69 psia from Table 7.1-7 for Newark, New Jersey
M_V = molecular weight of product vapor, lb/lb-mole
K_C = product factor, dimensionless
F_F = the total deck fitting loss factor, lb-mole/yr

$$= \sum_{i=1}^{n_f} (N_{F_i} K_{F_i}) = \left[(N_{F_1} K_{F_1}) + (N_{F_2} K_{F_2}) + K + (N_{F_{n_f}} K_{F_{n_f}}) \right]$$

where:

N_{F_i} = number of fittings of a particular type, dimensionless. N_{F_i} is determined for the specific tank or estimated from Tables 7.1-12, 7.1-13, or 7.1-14
K_{F_i} = deck fitting loss factor for a particular type of fitting, lb-mole/yr. K_{F_i} is determined for each fitting type from Equation 2-15 and the loss factors in Table 7.1-12
n_f = number of different types of fittings, dimensionless; n_f = 3 (given)
K_D = deck seam loss per unit seam length factor, lb-mole/ft/yr
S_D = deck seam length factor, ft/ft²

4. Identify parameters to be calculated/determined from tables. In this example, the following parameters are not specified: W_L, F_F, C, K_{Ra}, K_{Rb}, v, n, P_{VA}, P*, M_V, and K_C. The following values are obtained from tables or assumptions:

K_C = 1.0 for all stocks other than crude oil (given in Section 7.1.3.2)
C = 0.0015 bbl/1,000 ft² for tanks with light rust (from Table 7.1-10)
K_{Ra} = 1.6 (from Table 7.1-8)
K_{Rb} = 0.3 (from Table 7.1-8)
n = 1.6 (from Table 7.1-8)

Since the wind speed for the actual tank site is not specified, the wind speed for Newark, New Jersey is used:

v = 9.8 mph (see Table 7.1-7)

F_F, W_L, P_{VA}, P*, and M_V still need to be calculated.

F_F is estimated by calculating the individual K_{F_i} and N_{F_i} for each of the three types of deck fittings used in this example. For the ungasketed access hatches with unbolted covers, the K_F value can be calculated using information from Table 7.1-12. For this fitting, K_{Fa} = 36, K_{Fb} = 5.9, and m = 1.2. The value for K_V

for external floating roof tanks is 0.7 (see Section 7.1.3, Equation 2-15). There is normally one access hatch. So,

$$\begin{aligned} K_{\text{Faccess hatch}} &= K_{\text{Fa}} + K_{\text{Fb}}(K_{\text{v}}v)^m = 36 + 5.9 [(0.7)(9.8)]^{1.2} \\ K_{\text{Faccess hatch}} &= 95.5 \text{ lb-mole/yr} \\ N_{\text{Faccess hatch}} &= 1 \end{aligned}$$

The number of vacuum breakers can be taken from Table 7.1-13. For a tank with a diameter of 20 feet and a pontoon roof, the typical number of vacuum breakers is one. Table 7.1-12 provides fitting factors for weighted mechanical actuation, ungasketed vacuum breakers when the average wind speed is 10.3 mph.

Based on this table, $K_{\text{Fa}} = 7.8$, $K_{\text{Fb}} = 0.01$, and $m = 4$. So,

$$\begin{aligned} K_{\text{Fvacuum breaker}} &= K_{\text{Fa}} + K_{\text{Fb}}(K_{\text{v}}v)^m \\ K_{\text{Fvacuum breaker}} &= 7.8 + 0.01 [(0.7)(9.8)]^4 \\ K_{\text{Fvacuum breaker}} &= 29.9 \text{ lb-mole/yr} \\ N_{\text{Fvacuum breaker}} &= 1 \end{aligned}$$

For the ungasketed gauge hatch/sample ports with weighted mechanical actuation, Table 7.1-12 indicates that floating roof tanks normally have only one. This table also indicates that $K_{\text{Fa}} = 2.3$, $K_{\text{Fb}} = 0$, and $m = 0$. Therefore,

$$\begin{aligned} K_{\text{Fgauge hatch/sample port}} &= K_{\text{Fa}} + K_{\text{Fb}}(K_{\text{v}}v)^m \\ K_{\text{Fgauge hatch/sample port}} &= 2.3 + 0 \\ K_{\text{Fgauge hatch/sample port}} &= 2.3 \text{ lb-mole/yr} \\ N_{\text{Fgauge hatch/sample port}} &= 1 \end{aligned}$$

F_{F} can be calculated from Equation 2-14:

$$\begin{aligned} F_{\text{F}} &= \sum_{i=1}^3 (K_{\text{Fi}}) (N_{\text{Fi}}) \\ &= (95.5)(1) + (29.9)(1) + (2.3)(1) \\ &= 127.7 \text{ lb-mole/yr} \end{aligned}$$

5. Calculate mole fractions in the liquid. The mole fractions of components in the liquid must be calculated in order to estimate the vapor pressure of the liquid using Raoult's Law. For this example, the weight fractions (given as 75 percent benzene, 15 percent toluene, and 10 percent cyclohexane) of the mixture must be converted to mole fractions. First, assume that there are 1,000 lb of liquid mixture. Using this assumption, the mole fractions calculated will be valid no matter how many pounds of liquid actually are present. The corresponding amount (pounds) of each component is equal to the product of the weight fraction and the assumed total pounds of mixture of 1,000. The number of moles of each component is calculated by dividing the weight of each component by the molecular weight of the component. The mole fraction of each component is equal to the number of moles of each component divided by the total number of moles. For this example the following values are calculated:

Component	Weight fraction	Weight, lb	Molecular weight, M_i , lb/lb-mole	Moles	Mole fraction
Benzene	0.75	750	78.1	9.603	0.773
Toluene	0.15	150	92.1	1.629	0.131
Cyclohexane	0.10	100	84.2	1.188	0.096
Total	1.00	1,000		12.420	1.000

For example, the mole fraction of benzene in the liquid is $9.603/12.420 = 0.773$.

6. Determine the average daily liquid surface temperature. The average daily liquid surface temperature is equal to:

$$T_{LA} = 0.7 T_{AA} + 0.3 T_B + 0.008 \alpha I$$

$$T_{AA} = (T_{AX} + T_{AN})/2$$

$$T_B = T_{AA} + 0.007 \alpha I$$

For Newark, New Jersey (see Table 7.1-7):

$$T_{AX} = 63.1^\circ\text{F} = 522.8^\circ\text{R}$$

$$T_{AN} = 47.6^\circ\text{F} = 507.3^\circ\text{R}$$

$$I = 1,226 \text{ Btu/ft}^2\cdot\text{d}$$

From Table 7.1-6, $\alpha = 0.25$

Therefore;

$$T_{AA} = (522.8 + 507.3)/2 = 515.05^\circ\text{R}$$

$$T_B = 515.05 + 0.007 (0.25)(1226) = 517.2^\circ\text{R}$$

$$T_{LA} = 0.7 (515.05) + 0.3 (517.2) + 0.008 (0.25)(1226)$$

$$= 518.1^\circ\text{R} = 58.4^\circ\text{F}$$

7. Calculate partial pressures and total vapor pressure of the liquid. The vapor pressure of each component at 58.4°F can be determined using Antoine's equation. Since Raoult's Law is assumed to apply in this example, the partial pressure of each component is the liquid mole fraction (x_i) times the vapor pressure of the component (P).

Component	P at 58.4°F	x_i	P_{partial}
Benzene	1.12	0.773	0.866
Toluene	0.32	0.131	0.042
Cyclohexane	1.16	0.096	0.111
Totals		1.00	1.019

The total vapor pressure of the mixture is estimated to be 1.019 psia.

8. Calculate mole fractions in the vapor. The mole fractions of the components in the vapor phase are based upon the partial pressure that each component exerts (calculated in Step 7).

So for benzene:

$$y_{\text{benzene}} = P_{\text{partial}}/P_{\text{total}} = 0.866/1.019 = 0.850$$

where:

y_{benzene} = mole fraction of benzene in the vapor

P_{partial} = partial pressure of benzene in the vapor, psia

P_{total} = total vapor pressure of the mixture, psia

Similarly,

$$y_{\text{toluene}} = 0.042/1.019 = 0.041$$

$$y_{\text{cyclohexane}} = 0.111/1.019 = 0.109$$

The vapor phase mole fractions sum to 1.0.

9. Calculate molecular weight of the vapor. The molecular weight of the vapor depends upon the mole fractions of the components in the vapor.

$$M_V = \sum M_i y_i$$

where:

M_V = molecular weight of the vapor, lb/lb-mole

M_i = molecular weight of component i, lb/lb-mole

y_i = mole fraction of component i in the vapor, lb-mole/lb-mole

Component	M _i	y _i	M _V = Σ(M _i)(y _i)
Benzene	78.1	0.850	66.39
Toluene	92.1	0.041	3.78
Cyclohexane	84.2	0.109	9.18
Total		1.00	79.4

The molecular weight of the vapor is 79.4 lb/lb-mole.

10. Calculate weight fractions of the vapor. The weight fractions of the vapor are needed to calculate the amount (in pounds) of each component emitted from the tank. The weight fractions are related to the mole fractions calculated in Step 7 and total molecular weight calculated in Step 9:

$$Z_{Vi} = \frac{y_i M_i}{M_V}$$

$$Z_{Vi} = \frac{(0.850)(78.1)}{(79.4)} = 0.836 \text{ for benzene}$$

$$Z_{Vi} = \frac{(0.041)(92.1)}{(79.4)} = 0.048 \text{ for toluene}$$

$$Z_{Vi} = \frac{(0.109)(84.2)}{(79.4)} = 0.116 \text{ for cyclohexane}$$

11. Calculate total VOC emitted from the tank. The total VOC emitted from the tank is calculated using the equations identified in Step 3 and the parameters calculated in Steps 4 through 9.

$$L_T = L_W + L_S$$

$$L_S = L_R + L_F$$

a. Calculate working (withdrawal) losses:

$$L_W = 0.943 \text{ QCW}_L/D$$

where:

$$Q = 100,000 \text{ gal} \times 10 \text{ turnovers/yr (given)}$$

$$= 1,000,000 \text{ gal} \times 2.381 \text{ bbl/100 gal} = 23,810 \text{ bbl/yr}$$

$$C = 0.0015 \text{ bbl/10}^3 \text{ ft}^2 \text{ (from Table 7.1-10)}$$

$$W_L = 1/[\Sigma (\text{wt fraction in liquid})/(\text{liquid component density from Table 7.1-3})]$$

Weight fractions

Benzene = 0.75 (given)

Toluene = 0.15 (given)

Cyclohexane = 0.10 (given)

Liquid densities

Benzene = 7.32 (see Table 7.1-3)

Toluene = 7.24 (see Table 7.1-3)

Cyclohexane = 6.46 (see Table 7.1-3)

$$\begin{aligned}
W_L &= 1/[(0.75/7.32) + (0.15/7.24) + (0.10/6.46)] \\
&= 1/(0.1025 + 0.0207 + 0.0155) \\
&= 1/0.1387 \\
&= 7.2 \text{ lb/gal} \\
D &= 20 \text{ ft (given)} \\
L_W &= 0.943 \text{ QCW}_L/D \\
&= [0.943(23,810)(0.0015)(7.2)/20] \\
&= 12 \text{ lb of VOC/yr from withdrawal losses}
\end{aligned}$$

b. Calculate rim seal losses:

$$L_R = (K_{Ra} + K_{Rb}v^n)DP^*M_VK_C$$

where:

$$K_{Ra} = 1.6 \text{ (from Step 4)}$$

$$K_{Rb} = 0.3 \text{ (from Step 4)}$$

$$v = 9.8 \text{ mph (from Step 4)}$$

$$n = 1.6 \text{ (from Step 4)}$$

$$K_C = 1 \text{ (from Step 4)}$$

$$P_{VA} = 1.000 \text{ psia (from Step 7) (formula from Step 3)}$$

$$D = 20 \text{ ft}$$

$$\begin{aligned}
P^* &= \frac{\frac{P_{VA}}{P_A}}{\left(1 + \left[1 - \left(\frac{P_{VA}}{P_A}\right)\right]^{0.5}\right)^2} \\
&= (1.019/14.69)/(1 + [1 - (1.019/14.69)]^{0.5})^2 = 0.018 \\
M_V &= 79.4 \text{ lb/lb-mole (from Step 9)} \\
L_R &= [(1.6 + (0.3)(9.8)^{1.6}](0.018)(20)(79.4)(1.0) \\
&= (13.2)(0.018)(20)(79.4)(1.0) \\
&= 377 \text{ lb of VOC/yr from rim seal losses}
\end{aligned}$$

c. Calculate deck fitting losses:

$$L_F = F_F P^* M_V K_C$$

where:

$$F_F = 127.7 \text{ lb-mole/yr (from Step 4)}$$

$$P^* = 0.018$$

$$M_V = 79.4 \text{ lb/lb-mole}$$

$$K_C = 1.0 \text{ (from Step 4)}$$

$$L_F = (127.7)(0.018)(79.4)(1.0)$$

$$= 183 \text{ lb/yr of VOC emitted from deck fitting losses}$$

d. Calculate total losses:

$$L_T = L_W + L_R + L_F$$

$$= 12 + 377 + 183$$

$$= 572 \text{ lb/yr of VOC emitted from tank}$$

12. Calculate amount of each component emitted from the tank. For an external floating roof tank, the individual component losses are determined by Equation 40-2:

$$L_{T_i} = (Z_{V_i})(L_R + L_F) + (Z_{L_i})(L_W)$$

Therefore,

$$L_{T_{\text{benzene}}} = (0.836)(560) + (0.75)(12) = 477 \text{ lb/yr benzene}$$

$$L_{T_{\text{toluene}}} = (0.048)(560) + (0.15)(12) = 29 \text{ lb/yr toluene}$$

$$L_{T_{\text{cyclohexane}}} = (0.116)(560) + (0.10)(12) = 66 \text{ lb/yr cyclohexane}$$

Example 4 - Gasoline in an Internal Floating Roof Tank - Determine emissions of product from a 1 million gallon, internal floating roof tank containing gasoline (RVP 13). The tank is painted white and is located in Tulsa, Oklahoma. Product is pumped into and out of the tank simultaneously. The sum of decreases in the liquid level is 1,735 feet. The tank is 70 ft in diameter and 35 ft high and is equipped with a liquid-mounted primary seal plus a secondary seal. The tank has a column-supported fixed roof. The tank's deck is welded and equipped with the following: (1) two access hatches with unbolted, ungasketed covers; (2) an automatic gauge float well with an unbolted, ungasketed cover; (3) a pipe column well with a flexible fabric sleeve seal; (4) a sliding cover, gasketed ladder well; (5) adjustable deck legs; (6) a slotted guidepole/sample pipe well with a gasketed sliding cover; and (7) a weighted, gasketed vacuum breaker. The following data are available on the concentrations of air toxics in the liquid phase, by weight:

Component	Weight Percent In Liquid
Benzene	0.55
Toluene	7.6
Ethylbenzene	1.4
Xylenes	6.9

Solution:

1. Determine tank type. The following information must be known about the tank in order to use the floating roof equations:

- the number of columns
- the effective column diameter
- the rim seal description (vapor- or liquid-mounted, primary or secondary seal)
- the deck fitting types and the deck seam length

Some of this information depends on specific construction details, which may not be known. In these instances, approximate values are provided for use.

2. Determine estimating methodology. Gasoline consists of many organic compounds, all of which are miscible in each other, which form a homogenous mixture. The tank emission rate will be based on the properties of RVP 13 gasoline. Since Reid vapor pressure is available, Raoult's Law will not be used to determine the true vapor pressure of the liquid (as it was in the prior example), but it will be used to estimate vapor phase fractions of the air toxic components. The molecular weight of gasoline will be taken from a table and will not be calculated.

3. Select equations to be used.

$$L_T = L_S + L_W \tag{2-1}$$

$$L_S = L_R + L_F + L_D \quad (2-2)$$

$$L_W = \left(\frac{(0.943) Q C_S W_L}{D} \right) \left[1 + \left(\frac{N_C F_C}{D} \right) \right] \quad (2-19)$$

$$L_R = (K_{Ra} + K_{Rb} v^n) D P^* M_V K_C \quad (2-3)$$

$$L_F = F_F P^* M_V K_C \quad (2-13)$$

$$L_D = K_D S_D D^2 P^* M_V K_C \quad (2-18)$$

where:

- L_T = total loss, lb/yr
- L_S = standing loss, lb/yr
- L_W = working (withdrawal) loss, lb/yr
- L_R = rim seal loss, lb/yr
- L_F = deck fitting loss, lb/yr
- L_D = deck seam loss, lb/yr
- Q = annual net throughput, bbl/yr
- C_S = product withdrawal shell clingage factor, bbl/1,000 ft²
- W_L = density of liquid, lb/gal
- D = tank diameter, ft
- N_C = number of fixed roof support columns, dimensionless
- F_C = effective column diameter, ft
- K_{Ra} = zero wind speed rim seal loss factor, lb-mole/ft•yr
- K_{Rb} = wind speed dependent rim seal loss factor, lb-mole/(mph)ⁿft•yr
- v = average ambient site wind speed (zero for internal floating roof tanks), mph
- M_V = the average molecular weight of the product vapor, lb/lb-mole
- K_C = the product factor, dimensionless
- P^* = the vapor pressure function, dimensionless

$$P^* = \frac{\frac{P_{VA}}{P_A}}{\left(1 + \left[1 - \left(\frac{P_{VA}}{P_A} \right)^{0.5} \right]^2 \right)^2}$$

P_{VA} = the vapor pressure of the material stored, psia

P_A = average atmospheric pressure at tank location, psia

F_F = the total deck fitting loss factor, lb-mole/yr

$$= \sum_{i=1}^{n_f} (K_{Fi}) (N_{Fi}) = [(N_{F1} K_{F1}) + (N_{F2} K_{F2}) + \dots + (N_{F_{n_f}} K_{F_{n_f}})]$$

and:

N_{F_i} = number of deck fittings of a particular type, dimensionless. N_{F_i} is determined for the specific tank or estimated from Table 7.1-12

K_{F_i} = deck fitting loss factor for a particular type of deck fitting, lb-mole/yr. K_{F_i} is determined for each fitting type using Table 7.1-12 and, for an internal floating roof tank, Equation 2-16

n_f = number of different types of fittings, dimensionless

K_D = the deck seam loss factor, lb-mole/ft•yr

= 0.14 for nonwelded decks

= 0 for welded decks

S_D = deck seam length factor, ft/ft²

= L_{seam}/A_{deck}

where:

L_{seam} = total length of deck seams, ft

A_{deck} = area of deck, ft² = $\pi D^2/4$

4. Identify parameters to be calculated or determined from tables. In this example, the following parameters are not specified: W_L , N_C , F_C , C , P_{VA} , M_V , K_{Ra} , v , P^* , K_C , F_F , K_D , S_D , and weight fractions of air toxic components in the vapor.

The wind speed, v , is assumed to be zero for an internal floating roof tank, and thus values are not needed for K_{Rb} and n for the rim seal. Similarly, the deck fitting loss factor K_{F_i} is equal to K_{Fai} , from Equation 2-16.

The following parameters can be obtained from tables or assumptions:

K_C = 1.0 for all stocks other than crude oil

N_C = 1 (from Table 7.1-11)

F_C = 1.0 (assumed)

K_{Ra} = 0.3 (from Table 7.1-8)

v = 0 for internal floating roof tanks

M_V = 62 lb/lb-mole (from Table 7.1-2)

W_L = 5.6 lb/gal (from Table 7.1-2)

$$C = 0.0015 \text{ bbl}/1,000 \text{ ft}^2 \text{ (from Table 7.1-10)}$$

$K_D = 0$ for welded decks so S_D is not needed

$$F_F = \Sigma (K_{F_{ai}} N_{F_i}), \text{ where values for } K_{F_{ai}}, \text{ are from Table 7.1-12}$$

5. Calculate mole fractions in the liquid. Mole fractions of the air toxic components in the liquid can be calculated using Raoult's Law. Assume that the properties of m-xylene will suitably represent the component identified as Xylenes. The molecular weight of the liquid stock is given as 92 lb/lb-mole, and thus liquid mole fractions of individual components can be calculated using Equation 40-4.

$$x_i = \frac{Z_{Li} M_L}{M_i}$$

$$x_i = \frac{(0.0055)(92)}{78.1} = 0.0065 \text{ for benzene}$$

$$x_i = \frac{(0.076)(92)}{92.1} = 0.0759 \text{ for toluene}$$

$$x_i = \frac{(0.014)(92)}{106.2} = 0.0121 \text{ for ethylbenzene}$$

$$x_i = \frac{(0.069)(92)}{106.2} = 0.0598 \text{ for xylenes}$$

6. Calculate the average daily liquid surface temperature. The average daily liquid surface temperature is equal to:

$$T_{LA} = \frac{[2.86 (H_S/D) + 1.43] T_{AA} + [3.52 (H_S/D) + 3.79] T_B + 0.027 \alpha_R I + 0.017 (H_S/D) \alpha_S I}{6.38 (H_S/D) + 5.22}$$

$$T_{AA} = (T_{AX} + T_{AN})/2$$

$$T_B = T_{AA} + 0.003 \alpha I$$

For Tulsa, Oklahoma (see Table 7.1-7):

$$T_{AX} = 70.8^\circ\text{F} = 530.5^\circ\text{R}$$

$$T_{AN} = 51.1^\circ\text{F} = 510.8^\circ\text{R}$$

$$I = 1,407 \text{ Btu}/\text{ft}^2 \cdot \text{d}$$

From Table 7.1-6, $\alpha = 0.25$

Therefore,

$$T_{AA} = (530.5 + 510.8)/2 = 520.65^{\circ}\text{R}$$

$$T_B = 520.65 + 0.003 (0.25) 1,407 = 521.71^{\circ}\text{R}$$

$$T_{LA} = 0.34 (520.65) + 0.66 (521.71) + 0.0032 (0.25)(1,407) + 0.0010 (0.25)(1,407)$$

$$T_{LA} = 177.02 + 344.33 + 1.13 + 0.35$$

$$T_{LA} = 522.83^{\circ}\text{R} \text{ or } 63.1^{\circ}\text{F}$$

7. Calculate partial pressures and total vapor pressure of the liquid. The total vapor pressure of gasoline RVP 13 can be calculated from Equation 1-25, using values for the vapor pressure constants A and B from Table 7.1-2..

$$P_{VA} = \exp \left[A - \frac{B}{T_{LA}} \right]$$

$$P_{VA} = \exp \left[11.644 - \frac{5043.6}{63.1 + 459.7} \right]$$

$$P_{VA} = 7.36 \text{ psia at } 63.1^{\circ}\text{F}$$

From Table 7.1-7, $P_A = 14.36 \text{ psi}$

Therefore,

$$P^* = \frac{\frac{P_{VA}}{P_A}}{\left[1 + \left(1 - \frac{P_{VA}}{P_A} \right)^{0.5} \right]^2}$$

$$P^* = (7.36/14.36)/[1 + (1-(7.36/14.36))^{0.5}]^2$$

$$P^* = 0.178$$

The vapor pressure of each component at 63.1°F can be determined using Antoine's equation. Since Raoult's Law is assumed to apply in this example, the partial pressure of each component is the liquid mole fraction (x_i) times the vapor pressure of the component (P), from Equation 40-3.

Component	P at 63.1°F	x_i	P_{partial}
Benzene	1.2753	0.0065	0.0083
Toluene	0.3643	0.0759	0.0277
Ethylbenzene	0.1155	0.0121	0.0014

Xylenes	0.1007	0.0598	0.0060
---------	--------	--------	--------

8. Calculate mole fractions of components in the vapor. The mole fraction of each component in the vapor phase is the partial pressure of the component (P_{partial}) divided by the total vapor pressure of the mixture (P_{VA}), from Equation 40-3.

$$y_i = P_{\text{partial}}/P_{\text{VA}}$$

$$y_i = 0.0083 / 7.36 = 0.0011 \text{ for benzene}$$

$$y_i = 0.0277 / 7.36 = 0.0038 \text{ for toluene}$$

$$y_i = 0.0014 / 7.36 = 0.0002 \text{ for ethylbenzene}$$

$$y_i = 0.0060 / 7.36 = 0.0008 \text{ for xylenes}$$

9. Calculate molecular weight of the vapor. This step is not required because the molecular weight of gasoline vapor is already specified.

10. Calculate weight fractions of components of the vapor. The weight fraction of each component in the vapor phase can be calculated using Equation 40-6.

$$Z_{Vi} = \frac{y_i M_i}{M_V}$$

$$Z_{Vi} = \frac{(0.0011)(78.1)}{62} = 0.0014 \text{ for benzene}$$

$$Z_{Vi} = \frac{(0.0038)(92.1)}{62} = 0.0056 \text{ for toluene}$$

$$Z_{Vi} = \frac{(0.0002)(106.2)}{62} = 0.0003 \text{ for ethylbenzene}$$

$$Z_{Vi} = \frac{(0.0008)(106.2)}{62} = 0.0014 \text{ for xylenes}$$

11. Calculate total VOC emitted from the tank. The total VOC emitted from the tank is calculated using the equations identified in Step 3 and the parameters specified in Step 4.

$$L_T = L_W + L_S$$

$$L_S = L_R + L_F + L_D$$

a. Calculate working (withdrawal) losses:

$$L_W = [(0.943)QCW_L]/D [1 + (N_C F_C)/D]$$

where:

$$Q = (\pi/4) D^2 (\Sigma H_{QD}/5.614)$$

$$= (\pi/4) (70)^2 (1,735/5.614) = 1,189,359 \text{ bbl/yr}$$

$$C = 0.0015 \text{ bbl/1,000 ft}^2$$

$$W_L = 5.6 \text{ lb/gal}$$

$$D = 70 \text{ ft}$$

$$N_C = 1$$

$$F_C = 1$$

$$L_W = [(0.943)(1,189,359) (0.0015)(5.6)]/70[1 + (1)(1)/70]$$

$$= 140 \text{ lb/yr VOC for withdrawal losses}$$

b. Calculate rim seal losses:

$$L_R = (K_{Ra} + K_{Rb}v^n)DP^*M_VK_C$$

Since $v = 0$ for IFRT's:

$$L_R = K_{Ra}DP^*M_VK_C$$

where:

$$K_{Ra} = 0.3 \text{ lb-mole/ft}\cdot\text{yr}$$

$$D = 70 \text{ ft}$$

$$P^* = 0.178$$

$$M_V = 62 \text{ lb/lb-mole}$$

$$K_C = 1.0$$

$$L_R = (0.3)(0.178)(70)(62)(1.0) = 230 \text{ lb/yr VOC from rim seals}$$

c. Calculate deck fitting losses:

$$L_F = F_F P^* M_V K_C$$

where:

$$F_F = \Sigma (K_{F_i} N_{F_i})$$

$K_{Fi} = K_{Fa_i}$ for internal floating roof tanks since the wind speed is zero (see Equation 2-16).

The number of deck legs is determined from Table 7.1-15 as follows:

$$N_{fdl} = (5 + D/10 + D^2/600)$$

$$N_{fdl} = (5 + 70/10 + (70)^2/600)$$

$$N_{fdl} = 20$$

Substituting values for K_{Fa_i} taken from Table 7.1-12 for access hatches, gauge float well, pipe column well, ladder well, deck legs, sample pipe well, and vacuum breaker, respectively, yields:

$$\begin{aligned} F_F &= (36)(2) + (14)(1) + (10)(1) + (56)(1) + (7.9)(20) + (43)(1) + (6.2)(1) \\ &= 359 \text{ lb-mole/yr} \end{aligned}$$

$$P^* = 0.178$$

$$M_V = 62 \text{ lb/lb-mole}$$

$$K_C = 1$$

$$L_F = (359)(0.178)(62)(1.0) = 3,960 \text{ lb/yr VOC from deck fittings}$$

d. Calculate deck seam losses:

$$L_D = K_D S_D D^2 P^* M_V K_C$$

Since $K_D = 0$ for IFRT's with welded decks,

$$L_D = 0 \text{ lb/yr VOC from deck seams}$$

e. Calculate total losses:

$$\begin{aligned} L_T &= L_W + L_R + L_F + L_D \\ &= 140 + 230 + 3,960 + 0 = 4,330 \text{ lb/yr of VOC emitted from the tank} \end{aligned}$$

12. Calculate amount of each component emitted from the tank. The individual component losses are equal to:

$$L_{T_i} = (Z_{V_i})(L_R + L_F + L_D) + (Z_{L_i})(L_W)$$

Therefore,

$$L_{T_{benzene}} = (0.0014)(4,190) + (0.0055)(140) = 6.6 \text{ lb/yr benzene}$$

$$L_{T_{toluene}} = (0.0056)(4,190) + (0.076)(140) = 34 \text{ lb/yr toluene}$$

$$L_{\text{Tethylbenzene}} = (0.0003)(4,190) + (0.014)(140) = 3.2 \text{ lb/yr ethylbenzene}$$

$$L_{\text{Txylenes}} = (0.0014)(4,190) + (0.069)(140) = 16 \text{ lb/yr xylenes}$$

Example 5 – Floating Roof Landing Loss for an External Floating Roof Tank – Determine emissions of product from the landing of a floating roof in an external floating roof tank containing gasoline during the month of April. The tank is painted white and is located in Port Arthur, Texas. The tank is 120 ft in diameter and 40 ft high and has a nominally flat bottom. The floating roof is landed while the tank contains gasoline having an RVP of 12 and is refloated with gasoline having an RVP of 7.0. For both gasolines, the benzene concentration is known to be 0.5 percent by weight in the liquid. The deck support legs are set at a height of 3 feet, and the liquid is lowered to a level of one foot. The tank is refilled three days after the landing of the floating roof.

Solution:

1. Determine tank type. The tank is an external floating roof storage tank.
2. Determine estimating methodology. Gasoline consists of many organic compounds, all of which are miscible in each other, which form a homogenous mixture. The molecular weight of gasoline will be taken from a table and the true vapor pressure will be calculated from the Reid vapor pressure of the mixture. Weight fractions of components of interest in the vapor phase will be calculated from concentrations in the liquid phase, using Raoult's Law.
3. Select equations to be used.

$$L_{TL} = L_{SL} + L_{FL} \tag{3-1}$$

$$L_{SLwind} = 0.57 n_d D P^* M_V \leq 5.9 D^2 h_{le} W_1 \tag{3-4, 3-10}$$

$$L_{FL} = \left(\frac{P_{VA} V_V}{R T_V} \right) M_V (C_{if} S) \leq (5.9 D^2 h_{le} W_1 - L_{SL}) + (0.15 P_{VA} V_V M_V / R T_V) \tag{3-16, 3-18}$$

where:

L_{TL} = total losses during roof landing, lb

L_{SL} = standing idle loss during roof landing, lb (= L_{SLwind} for external floating-roof tanks)

L_{SLwind} = standing idle loss due to wind, lb

0.57 = daily rim seal factor; $(K_{Ra} + K_{Rb} v^n)/365$, where $K_{Ra} = 6.7$, $K_{Rb} = 0.2$, $v = 10$, and $n = 3.0$

n_d = number of days that the tank is standing idle, days

D = tank diameter, ft

P^* = a vapor pressure function, dimensionless

M_V = stock vapor molecular weight, lb/lb-mole

5.9 = combination of constants $(\pi/4)$ and 7.48 gal/ft^3

h_{le} = effective height of the stock liquid, feet

W_1 = density of the liquid inside the tank, lb/gal

L_{FL} = filling loss during roof landing, lb

P_{VA} = true vapor pressure of the liquid inside the tank, psia

V_V = volume of the vapor space, ft³

R = ideal gas constant, 10.731 psia ft³ /lb-mole °R

T_V = average temperature of the vapor and liquid below the floating roof, °R (= T_{AA})

C_{sf} = filling saturation correction factor for wind, dimensionless

S = filling saturation factor, dimensionless (0.60 for a full liquid heel; 0.50 for a partial liquid heel).

4. Identify parameters to be calculated/determined from tables. In this example, the following parameters are not specified: P^* , M_V , W_1 , P_{VA} , V_V , T_V , C_{sf} and S .

The following values are obtained from tables or assumptions:

M_V = 66 lb/lb-mole, from Table 7.1-2 as a default value for the vapor phase molecular weight of all gasolines.

W_1 = 5.6 lb/gal, from Table 7.1-2 for gasoline.

T_V = 68.7 °F (528.4°R) from Table 7.1-7, the average ambient temperature (T_{AA}) for April in Port Arthur, TX.

S = 0.60 for a full liquid heel.

Values for the following parameters still need to be calculated:

P^* = a vapor pressure function, dimensionless. P^* is needed to calculate the standing idle loss, which occurs with a heel of gasoline (RVP 12) in the tank.

$$P^* = \frac{\frac{P_{VA}}{P_A}}{\left(1 + \left[1 - \left(\frac{P_{VA}}{P_A}\right)\right]^{0.5}\right)^2}$$

The true vapor pressure, P_{VA} , in the equation for P^* is the same as the true vapor pressure, P_{VA} , in the calculation of the landing loss. Typical atmospheric pressure, P_A , for Port Arthur, TX is obtained from Table 7.1-7, as 14.68 psi.

P_{VA} = true vapor pressure of the liquid inside the tank, psia

Determine P_{VA} using Equation 1-25, with values for the constants A and B determined from the equations in Figure 7.1-15 using the given Reid vapor pressure and the default value of 3.0 given for the distillation slope S in Table 7.1-2.

$$A = 15.64 - 1.854 S^{0.5} - (0.8742 - 0.3280 S^{0.5}) \ln(\text{RVP})$$

$$B = 8,742 - 1,042 S^{0.5} - (1,049-179.4 S^{0.5})\ln(RVP)$$

For gasoline RVP 12, the calculated values of A, B, P and P* are:

$$A = 11.668$$

$$B = 5102.7$$

$$P_{VA} = 7.47 \text{ psia at } 68.7^\circ\text{F}$$

$$P^* = 0.176$$

For gasoline RVP 7.0, the calculated values of A, B and P_{VA} are:

$$A = 11.833$$

$$B = 5500.6$$

$$P_{VA} = 4.15 \text{ psia at } 68.7^\circ\text{F}$$

V_V = volume of the vapor space, ft³

Determine the vapor space volume V_V using Equation 3-22, where the height of the vapor space under the floating roof is the difference between the floating roof leg height and the depth of the liquid heel, which are given as 3 feet and 1 foot respectively. Thus the height of the vapor space under the floating roof is 2 feet, and the vapor space volume is:

$$V_V = (2) (\pi 120^2/4)$$

$$V_V = 22620 \text{ ft}^3$$

C_{sf} = filling saturation correction factor for wind, dimensionless

$$C_{sf} = 1 - \left(\frac{(0.57 \cdot 1 \cdot D \cdot P^* \cdot M_V) - (1 \cdot K_E \cdot \left(\frac{P_{VA} \cdot V_V}{R \cdot T_V}\right) \cdot M_V \cdot K_S)}{(1 \cdot K_E \cdot \left(\frac{P_{VA} \cdot V_V}{R \cdot T_V}\right) \cdot M_V \cdot K_S) + \left(\left(\frac{P_{VA} \cdot V_V}{R \cdot T_V}\right) \cdot M_V \cdot (1 \cdot S)\right)} \right) \quad (3-21)$$

Solve for K_E:

$$K_E = \frac{\Delta T_V}{T_{LA}} + \frac{\Delta P_V - \Delta P_B}{P_A - P_{VA}} > 0 \quad (1-5)$$

where:

$$\Delta T_V = 0.7 \Delta T_A + 0.02 \alpha I \quad (1-7)$$

For Port Arthur, TX in April, T_{AX} equals 77.3°F, T_{AN} equals 60.1°F, and I equals 1,646 Btu/ft² d per Table 7.1-7.

$$\Delta T_V = 0.7 (77.3 - 60.1) + 0.02 (0.25 \text{ for a white tank in average condition}) (1,646) = 20.3^\circ\text{R}$$

$$\Delta P_V = P_{VX} - P_{VN}$$

P_{VX} and P_{VN} are the true vapor pressures at T_{LX} and T_{LN}, respectively.

From Figure 7.1-17:

$$T_{LX} = T_{LA} + 0.25 \Delta T_V = 68.7 + 0.25 (20.3) = 73.8^\circ\text{F}$$

$$T_{LN} = T_{LA} - 0.25 \Delta T_V = 68.7 - 0.25 (20.3) = 63.6^\circ\text{F}$$

$$P_{VX} = 8.19 \text{ psia}$$

$$P_{VN} = 6.80 \text{ psia}$$

$$\Delta P_V = (8.19 - 6.80) = 1.39 \text{ psi}$$

$$K_E = \frac{20.3}{528.4} + \frac{(1.39 - 0.0)}{(14.68 - 7.47)} = 0.231$$

Solve for K_S :

$$K_S = \frac{1}{1 + 0.053 P_{VA} H_{VO}} \quad (1-21)$$

where:

$$P_{VA} = 7.47 \text{ psia}$$

$$H_{VO} = 2 \text{ feet}$$

$$K_S = \frac{1}{1 + 0.053 (7.47)(2)} = 0.558$$

then:

$$C_{sf} = 1 - \left(\frac{(0.57 \cdot 1 \cdot 120 \cdot 0.176 \cdot 66) - (1 \cdot 0.231 \left(\frac{7.47 \cdot 22,620}{10.731 \cdot 528.4} \right) \cdot 66 \cdot 0.558)}{(1 \cdot 0.2 \left(\frac{7.47 \cdot 22,620}{10.731 \cdot 528.4} \right) \cdot 66 \cdot 0.558) + \left(\frac{7.47 \cdot 22,620}{10.731 \cdot 528.4} \right) \cdot 66 \cdot 0.60} \right) = 0.624$$

5. Calculate mole fractions in the liquid. The mole fraction of benzene in the liquid can be calculated using Raoult's Law. The molecular weight of the liquid stock is given as 92 lb/lb-mole, and thus liquid mole fractions of individual components can be calculated using Equation 40-4.

$$x_i = \frac{Z_{Li} M_L}{M_i}$$

$$x_i = \frac{(0.005)(92)}{78.1} = 0.0059 \text{ for benzene}$$

6. Calculate partial pressures and total vapor pressure of the liquid. The total vapor pressure of gasoline RVP 12 and of gasoline RVP 7 is given in Step 4.

For gasoline RVP 12, the calculated value of P_{VA} is:

$$P_{VA} = 7.47 \text{ psia at } 68.7^\circ\text{F}$$

For gasoline RVP 7.0, the calculated value of P_{VA} is:

$$P_{VA} = 4.15 \text{ psia at } 68.7^\circ\text{F}$$

From Table 7.1-7, $P_A = 14.68 \text{ psi}$

The vapor pressure of benzene at 68.7°F can be determined using Antoine's equation. Since Raoult's Law is assumed to apply in this example, the partial pressure of benzene is the liquid mole fraction (x_i) times the vapor pressure of benzene (P), from Equation 40-3.

Component	P at 68.7°F	x_i	P_{partial}
Benzene	1.483	0.0059	0.0087

7. Calculate mole fractions of components in the vapor. The mole fraction of benzene in the vapor phase is the partial pressure of the component (P_{partial}) divided by the total vapor pressure of the mixture (P_{VA}), from Equation 40-5. The total pressure depends upon the RVP, and thus the mole fraction of benzene must be calculated separately for gasoline RVP 12 and for gasoline RVP 7.0.

$$y_i = P_{\text{partial}}/P_{\text{VA}}$$

RVP 12

$$y_i = 0.0087 / 7.47 = 0.0012 \text{ for benzene}$$

RVP 7

$$y_i = 0.0087 / 4.15 = 0.0021 \text{ for benzene}$$

8. Calculate molecular weight of the vapor. This step is not required because the molecular weight of gasoline vapor is already specified.

9. Calculate weight fractions of components of the vapor. The weight fraction of each component in the vapor phase can be calculated using Equation 40-6.

$$Z_{Vi} = \frac{y_i M_i}{M_V}$$

RVP 12

$$Z_{Vi} = \frac{(0.0012)(78.1)}{66} = 0.0014 \text{ for benzene}$$

RVP 7

$$Z_{Vi} = \frac{(0.0021)(78.1)}{66} = 0.0025 \text{ for benzene}$$

10. Calculate standing idle loss.

a. Check the limit on standing idle loss:

$$L_{\text{SLmax}} \leq 5.9 D^2 h_{lc} W_1$$

$$L_{\text{SLmax}} \leq 5.9 (120)^2 (1) (5.6) = 480,000 \text{ lb}$$

b. Check the calculated standing idle loss:

$$L_{SLwind} = 0.57 n_d D P^* M_v$$

$$L_{SLwind} = 0.57 (3) (120) (0.176) (66) = 2,400 \text{ lb} < 480,000 \text{ lb}$$

$$L_{SLwind} = 2,400 \text{ lb}$$

c. Calculate the benzene standing idle loss:

$$L_{SLbenzene} = 2,400(0.0014) \text{ lb benzene}$$

$$L_{SLbenzene} = 3.4 \text{ lb benzene}$$

11. Calculate the filling loss.

a. Check the limit on filling loss:

$$L_{FLmax} \leq (5.9 D^2 h_{le} W_1) - L_{SL} + 0.15 (P_{VA} V_V / R T_V) M_V$$

$$L_{FLmax} \leq 5.9 (120)^2 (1) (5.6) - 2,400 + 0.15 [(4.15)(22,620)] / [(10.731)(528.4)] (66) = 470,000 \text{ lb}$$

b. Check the calculated filling loss:

$$L_{FL} = \left(\frac{P_{VA} V_V}{R T_V} \right) M_V (C_{sf} S)$$

The prior stock was gasoline having an RVP of 12, and the roof was refloated with gasoline having an RVP of 7.0. It may be reasonably assumed that the arrival vapors were remaining from the prior stock, and the generated vapors were from the incoming stock. The vapor saturation factor for incoming vapors is 0.15 per the discussion on drain-dry tanks in section 7.1.3.3.2.

Check the total wind-corrected saturation factor for refilling of a landed external floating roof, using the value for C_{sf} calculated in Step 4:

$$C_{sf} S = (0.62) (0.60) = 0.37$$

Given the saturation factor of 0.15 for the generated vapors, the saturation factor for the arrival vapors is therefore $(0.37 - 0.15) = 0.22$.

Calculate the arrival loss:

$$L_{FL}(\text{arrival}) = \left(\frac{7.47 \cdot 22,620}{10.731 \cdot 528.4} \right) \cdot 66 \cdot 0.22 = 430 \text{ lb}$$

Calculate the generated loss:

$$L_{FL}(\text{generated}) = \left(\frac{4.15 \cdot 22,620}{10.731 \cdot 528.4} \right) \cdot 66 \cdot 0.15 = 160 \text{ lb}$$

Calculate the total filling loss:

$$L_{FL} = 430 + 160 = 590 \text{ lb} < 480,000 \text{ lb}$$

$$L_{FL} = 590 \text{ lb}$$

c. Calculate the benzene filling loss: Apply the vapor weight fraction of RVP 12 gasoline to the arrival loss and the vapor weight fraction of RVP 7 gasoline to the generated loss.

$$L_{FL\text{benzene}} = 430(0.0014) + 160(0.0025) \text{ lb benzene}$$

$$L_{FL\text{benzene}} = 1.0 \text{ lb benzene}$$

12. Calculate total losses for the floating roof landing event. The total loss is the sum of the standing loss and the filling loss.

$$L_{TL} = L_{SL} + L_{FL}$$

$$L_{TL} = 2,400 + 590 = 3,000 \text{ lb}$$

$$L_{TL\text{benzene}} = 3.4 + 1.0 = 4.4 \text{ lb benzene}$$

Example 6 – Cleaning Loss for an External Floating Roof Tank – Calculate emissions for cleaning the tank mentioned in Example 5, assuming that tank cleaning operations began on the third day after the floating roof was landed, rather than the tank having been refilled as described in Example 5.

Assume that on the third day of the floating roof landing, forced ventilation was started up to vent the vapor space to a control device which had a vapor reduction efficiency of 95%. Commencement of forced ventilation marked the end of the floating roof landing and the beginning of the tank cleaning event. The one-foot heel of remaining gasoline described in Example 5 was removed by means of vacuum trucks. The amount of gasoline then remaining in puddles in the bottom of the tank was judged to be the equivalent of about one-eighth of an inch deep if it were spread evenly over the bottom of the tank, and about three inches of gasoline remained in the bottom of a 24-inch diameter sump. The equivalent of six inches of diesel was then added to the tank. The forced ventilation continued to be operated at 3,000 cubic feet per minute (cfm) throughout the day and night of the first day of tank cleaning.

The next morning, the beginning of the second day of tank cleaning, the vapor concentration was found to be less than 10,000 ppmv. At this time the mixture of diesel and gasoline in the bottom of the tank was vacuumed out, leaving an average of about one-half inch of wet sludge remaining on the tank bottom. The control device was disconnected and forced ventilation continued through the second day of tank cleaning, venting directly to atmosphere, as workers cleaned out the sludge. At the end of the second day of tank cleaning, the vapor concentration was measured at 3,800 ppmv and the forced ventilation was turned off overnight. The equivalent of about one-eighth inch of wet sludge remained in the bottom of the tank.

The forced ventilation was restarted on the morning of the third day of tank cleaning, venting to atmosphere. Workers rinsed the tank bottom and removed all remaining volatile material, leaving the tank clean and gas free by the end of the day. At this point, the tank cleaning operation was deemed to be complete from an emissions estimating viewpoint, and the tank was deemed to be out of service. While forced ventilation was continued on subsequent days for the safety of workers inspecting the tank, emissions had ceased due to the removal of all volatile material.

The tank cleaning events and hourly readings of vapor concentration are listed below:

<u>Day</u>	<u>Time</u>	<u>Concentration</u> (ppmv)	<u>Activity</u>
1	10:00	380,000	Start up forced ventilation to control device. Vacuum out gasoline heel. Begin pumping in diesel. First hour is considered vapor space purge.
	11:00	190,000	Continued forced ventilation, routed to control device.
	12:00	130,000	
	13:00	101,000	
	14:00	85,000	
	15:00	73,000	
	16:00	63,000	
	17:00	53,500	
	18:00	46,000	

	19:00	40,000	
	20:00	35,000	
	21:00	31,000	
	22:00	27,700	
	23:00	24,700	
	0:00	22,000	
	1:00	19,700	
	2:00	17,700	
	3:00	16,000	
	4:00	14,400	
	5:00	12,900	
	6:00	11,500	
	7:00	10,200	
	8:00	9,100	
	9:00	8,200	45,300 ppmv, average for first day of continued forced ventilation. Disconnect control device. Vacuum out all free flowing liquid.
2	10:00	7,400	Continued forced ventilation, vented to atmosphere.
	11:00	6,700	
	12:00	6,100	
	13:00	5,550	
	14:00	5,100	
	15:00	4,700	
	16:00	4,350	
	17:00	4,050	
	18:00	3,800	5,300 ppmv, average for second day of continued forced ventilation. Forced ventilation turned off.
3	6:00	19,000	Re-start of forced ventilation (to atmosphere). First hour is considered vapor space purge.
	7:00	10,100	Continued forced ventilation, vented to atmosphere,
	8:00	5,500	
	9:00	3,800	
	10:00	2,200	
	11:00	1,500	
	12:00	1,050	
	13:00	700	
	14:00	400	
	15:00	150	
	16:00	0	
	17:00	0	

18:00

0 2,100 ppmv, average for third day of continued forced ventilation.
Tank cleaning is complete; forced ventilation may continue for worker safety during inspections, but all volatile material has been removed and the tank is deemed out of service.

Solution:

1. Select equations to be used.

$$LFV = LP + LCV \quad (4-1)$$

$$LP = \left(\frac{P_{VA} V_V}{R T_V} \right) M_V S \quad (4-2)$$

$$LCV = 60 Q_V n_{CV} t_V C_V \left(\frac{P_a M_{CG}}{R T_V} \right) \leq 5.9 D^2 h_{ie} W_l \quad (4-10, 4-12)$$

$$L_{SR} = 60 Q_V n_{CV} t_V C_V \left(\frac{P_a M_{CG}}{R T_V} \right) \leq 0.49 F_s D^2 d_s W_l \quad (4-10, 4-13)$$

where:

LFV = total emissions due to forced ventilation during a tank cleaning event, lb

LP = vapor space purge emissions associated with the first air change following commencement of forced ventilation, lb

LCV = emissions from continued forced ventilation following the first air change, lb

P_{VA} = the true vapor pressure of the exposed volatile material in the tank (psia)

V_V = volume (ft³) of the vapor space

R = the ideal gas constant (psia ft³ per lb-mole °R)
= 10.731 psia ft³ per lb-mole °R

T_V = the average temperature of the vapor space (°R)
= the average ambient temperature (°R),

M_V = the stock vapor molecular weight (lb/lb-mole)

S = the vapor space saturation factor during the initial vapor space purge (dimensionless)

60 is the conversion of hours to minutes, min/hr

Q_V = average ventilation rate during continued forced ventilation, ft³/min

n_{CV} = the duration of continued forced ventilation, days

t_V = the daily period of forced ventilation, hr/day

C_V = average vapor concentration by volume during continued forced ventilation, dimensionless

P_a = atmospheric pressure at the tank location, psia

M_{CG} = calibration gas molecular weight, lb/lb-mole

D = the tank diameter, feet

h_{le} = the effective height of the stock liquid and sludge for the given stage of continued forced ventilation, ft

W_l = the density of the stock liquid, pounds per gallon

5.9 = combination of constants ($\pi/4$) and 7.48 gal/ft³

F_e = the fraction of the sludge that evaporates (= 0.20 if unknown)

d_s = the average depth of sludge, inches

2. Identify parameters to be calculated/determined from tables. In this example, the following parameters are not specified: P_{VA} , V_V , T_V , M_V , S , M_{CG} , and W_l .

The following values are obtained from tables or assumptions:

$P_{VA} = 7.47$ psia for the RVP 12 gasoline, from Example 5.

$V_V = 22,620$ ft³ for the initial condition of one foot of stock remaining, from Example 5.

$T_V = 68.7$ °F (528.4 °R), from Example 5.

$M_V = 66$ lb/lb-mole for gasoline, from Table 7.1-2.

$S = 0.37$ from Example 5.

$M_{CG} = 16$ lb/lb-mole for methane, from Table 7.1-3.

$W_l = 5.6$ lb/gal for gasoline and 7.1 lb/gal for diesel, from Table 7.1-2.

3. Calculate the initial vapor space purge emissions.

$$L_P = \left(\frac{P_{VA} V_V}{R T_V} \right) M_V S$$

$$L_P = \left(\frac{7.47 \cdot 22,620}{10.731 \cdot 528.4} \right) \cdot 66 \cdot 0.37 = 730 \text{ lb}$$

The vapor space purge emissions were routed to a control device having an efficiency of 95%, and thus the net vapor space purge emissions are calculated as follows:

$$L_{P1} = 730 (1 - 0.95) = 37 \text{ lb}$$

4. Calculate first day of continued ventilation emissions (routed to control device).

a. Check the limit on continued ventilation emissions for the first day:

Calculate the mass of liquid remaining in the tank after vacuuming out the one foot of remaining gasoline and flooding the tank bottom with diesel.

The remaining gasoline is the equivalent of one-eighth of an inch across the entire bottom of the tank, plus 3 inches in a 24-inch diameter sump.

Equivalent depth of the liquid in the sump, if spread across the entire tank bottom: (3 inches) * $(\pi (2/12)^2 / 4) / (\pi 120^2 / 4) = 0.0008$ inches

Total effective depth of gasoline remaining in the bottom of the tank: (0.125 inches) + (0.0008 inches) = 0.1258 inches = 0.010 feet

The depth of diesel in the bottom of the tank is: 6 inches = 0.5 feet

$$L_{CV\max} \leq 5.9 D^2 h_{lc} W_1$$

$$L_{CV\max} \leq 5.9 (120)^2 (0.010 \cdot 5.6 + 0.5 \cdot 7.1) = 310,000 \text{ lb}$$

b. Check the calculated continued ventilation emissions for the first day:

$$L_{CV} = 60 Q_V n_{CV} t_V C_V \left(\frac{P_a M_{CG}}{R T_V} \right)$$

$$L_{CV} = 60 \cdot 3,000 \cdot 1 \cdot 24 \cdot \left(\frac{45,300}{1,000,000} \right) \cdot \left(\frac{14.68 \cdot 16}{10.731 \cdot 528.4} \right) = 8,100 \text{ lb} < 310,000 \text{ lb}$$

$$L_{CV1} = 8,100 \text{ lb}$$

The first day of continued ventilation emissions were routed to a control device having an efficiency of 95%, and thus the net vapor space purge emissions are calculated as follows:

$$L_{CV1} = 8,100 (1 - 0.95) = 410 \text{ lb}$$

5. Calculate the second day vapor space purge emissions.

The forced ventilation ran throughout the night on the first day of tank cleaning, and thus there was no standing idle period during which vapors could build up in the vapor space, and there were no vapor space purge emissions on the morning of the second day of tank cleaning.

$$L_{P2} = 0 \text{ lb}$$

6. Calculate second day of continued ventilation emissions (routed directly to atmosphere).

a. Check the limit on continued ventilation emissions for the second day:

Calculate the mass of liquid remaining in the tank after vacuuming out all free flowing liquid and leaving one-half inch of wet sludge in the bottom of the tank.

$$LCV \leq 0.49 F_e D^2 d_s Wl$$

where:

F_e = the fraction of the sludge that evaporates (= 0.20 if unknown)

D = the tank diameter, feet

d_s = the average depth of sludge, inches

Wl = the density of the stock liquid, pounds per gallon

the constant, 0.49, has units of gal/(in. ft²), and the other terms are defined as shown above.

In the liquid phase, the density of diesel is greater than the density of gasoline and, as shown in the calculations above for the first day, most of the remaining liquid is diesel. It would, then, be both reasonable and conservative to use the density of diesel in calculating the mass of remaining liquid.

$$LCV \leq 0.49 (0.20) (120)^2 (0.5) (7.1) = 5,000 \text{ pounds}$$

b. Check the calculated continued ventilation emissions for the second day:

$$L_{CV} = 60 Q_V n_{CV} t_V C_V \left(\frac{P_a M_{CG}}{R T_V} \right)$$

$$L_{CV} = 60 \cdot 3,000 \cdot 1 \cdot 9 \cdot \left(\frac{5,300}{1,000,000} \right) \cdot \left(\frac{14.68 \cdot 16}{10.731 \cdot 528.4} \right) = 360 \text{ lb} < 5,000 \text{ lb}$$

$$L_{CV2} = 360 \text{ lb}$$

The second day of continued ventilation emissions were routed directly to atmosphere, and thus the net vapor space purge emissions are calculated as follows:

$$L_{CV2} = 360 (1 - 0.0) = 360 \text{ lb}$$

7. Calculate the third (last) day vapor space purge emissions.

The forced ventilation was discontinued overnight between the second and third days of tank cleaning, and thus there was an overnight standing idle period. There would, then, be a vapor space purge on the morning of the third day of tank cleaning. The vapors originated from a mixture of diesel and gasoline. While most of the liquid was pumped out during the second day, the relative volumes of diesel and gasoline would have been as described above for the limit on continued ventilation emissions for the first day. The effective depths were 0.01 feet for gasoline and 0.5 feet for diesel, for a total initial depth of 0.51 feet. The volumes are then calculated from the liquid depths and the diameter of the tank:

$$\text{Gasoline: } 0.01 (\pi)(120)^2 / 4 = 113 \text{ ft}^3$$

$$\text{Diesel: } 0.50 (\pi)(120)^2 / 4 = 5,655 \text{ ft}^3$$

Multiply the volumes of each liquid by its liquid density to calculate the mass of each. Values of 5.6 lb/gal for gasoline and 7.1 lb/gal for diesel are obtained from Table 7.1-2.

$$\text{Gasoline: } 113 (5.6) (7.48) = 4,733 \text{ lb}$$

$$\text{Diesel: } 5,655 (7.1) (7.48) = 300,326 \text{ lb}$$

The conversion factor of 7.48 has units of gallons per cubic foot.

The total weight is $4,733 + 300,326 = 305,059$ lb. The weight of each liquid may then be divided by the liquid phase molecular weight to calculate the number of moles of that liquid. Molecular weights are obtained from Table 7.1-2.

$$\text{Gasoline: } 4,733 / 92 = 51$$

$$\text{Diesel: } 300,326 / 188 = 1,597$$

The total number of moles is $(51 + 1,597) = 1,648$, and the mole (volume) fractions in the liquid phase may be calculated:

$$\text{Gasoline: } 51 / 1,648 = 0.031$$

$$\text{Diesel: } 1,597 / 1,648 = 0.969$$

From Example 5, the temperature at the bottom of the tank is 68.7 F, and the true vapor pressure of the gasoline at that temperature is 7.47 psia. Calculate the true vapor pressure of the diesel at 68.7 F, using Equation 1-25 with values for the A and B constants from Table 7.1-2.

$$P = \exp \left[A - \frac{B}{T} \right]$$

$$A = 12.101$$

$$B = 8907 \text{ } ^\circ\text{R}$$

$$P = 0.0086 \text{ psia}$$

The partial pressure of each component is the liquid mole (volume) fraction times the true vapor pressure:

$$\text{Gasoline: } 0.031 * 7.47 = 0.232 \text{ psia}$$

$$\text{Diesel: } 0.969 * 0.0086 = 0.0083 \text{ psia}$$

The vapor space purge emissions for the third day can then be computed separately for each component:

$$L_P = \left(\frac{P_{VA} V_V}{R T_V} \right) M_V S$$

where:

P_{VA} = the partial pressure of the given component, psia

V_V = the volume under the landed floating roof, cubic feet

Determine the vapor space volume V_V using Equation 3-22, where the height of the vapor space under the floating roof is the floating roof leg height (neglecting the one-eighth inch height of sludge remaining in the tank). In that this example is a continuation of the floating roof landing in Example 5, the leg height is given as 3 feet. However, it is more common for the legs to be set in the high leg position when cleaning the tank.

$$V_V = (3) (\pi 120^2/4) = 33930 \text{ ft}^3$$

$$R = 10.731 \text{ psia ft}^3 \text{ per lb-mole } ^\circ\text{R}$$

$$T_V = \text{temperature } ^\circ\text{R} = 68.7 + 459.7 = 528.4$$

M_V = vapor phase molecular weight of the given component, from Table 7.1-2

Gasoline: 66

Diesel; 130

S = saturation factor = 0.50 from 7.1.3.4.1 for only wet sludge remaining

$$L_{P\text{gasoline}} = \left(\frac{0.232 \cdot 33,930}{10.731 \cdot 528.4} \right) \cdot 66 \cdot 0.50 = 46 \text{ lb}$$

$$L_{P\text{diesel}} = \left(\frac{0.0083 \cdot 33,930}{10.731 \cdot 528.4} \right) \cdot 130 \cdot 0.50 = 3 \text{ lb}$$

$$L_{P3} = 46 + 3 = 49 \text{ lb}$$

8. Calculate third (last) day of continued ventilation emissions (routed directly to atmosphere).

a. Check the limit on continued ventilation emissions for the last stage:

After a day of removing sludge, about one-eighth inch of sludge remained in the bottom of the tank.

$$L_{CV\max} \leq 0.49 F_e D^2 d_s W_1$$

$$L_{CV\max} \leq 0.49 (0.20) (120)^2 (0.125) (7.1) = 1,300 \text{ lb}$$

b. Check the calculated continued ventilation emissions for the last day:

$$L_{CV} = 60 Q_V n_{CV} t_V C_V \left(\frac{P_a M_{CG}}{R T_V} \right)$$

$$L_{CV} = 60 \cdot 3,000 \cdot 1 \cdot 12 \cdot \left(\frac{2,100}{1,000,000} \right) \cdot \left(\frac{14.68 \cdot 16}{10.731 \cdot 5284} \right) = 190 \text{ lb} < 1,300 \text{ lb}$$

$$L_{CV3} = 190 \text{ lb}$$

The last day of continued ventilation emissions were routed directly to atmosphere, and thus the net vapor space purge emissions are calculated as follows:

$$L_{CV3} = 190 (1 - 0.0) = 190 \text{ lb}$$

9. Calculate total losses for the tank cleaning event. The total loss is the sum of the vapor space purge emissions and the continued ventilation emissions for each day of forced ventilation while volatile material remained in the tank. These emissions are summarized as follows:

	L_p	L_{CV}
Day 1	37	410
Day 2	0	360
Day 3	49	190
Total	86	960

The total emissions during tank cleaning (forced ventilation) are then:

$$L_{FV} = L_p + L_{CV}$$

$$L_{FV} = 86 + 960 = 1,000 \text{ lb}$$

Note that emissions from this example were significantly mitigated by the flushing of the tank bottom with diesel to reduce the vapor concentration relatively quickly, and by the routing of vapors to a control device until the vapor concentration was reduced substantially (comparing the start of day 2 to the start of day 1 shows that the vapor concentration when the control device was disconnected was about two percent of the initial reading). It's evident from step 4.b above that emissions would have been several tons per day if these mitigation steps had not been taken.

7.1.6 Historical Equations

Equations in this section were historically used to obtain approximate values but have been replaced with more accurate equations.

7.1.6.1 Average Daily Vapor Pressure Range

The following method was historically available for approximating ΔP_V , with some loss of accuracy, however it is no longer recommended.

$$\Delta P_V = \frac{0.50 B P_{VA} \Delta T_V}{T_{LA}^2} \quad (60-1)$$

where:

- ΔP_V = average daily vapor pressure range, psia
- B = constant in the vapor pressure equation, °R; the value used here must be the B constant for the two-constant expression in Equation 1-22
- P_{VA} = vapor pressure at the average daily liquid surface temperature, psia; see Notes 1 and 2 to Equation 1-22
- T_{LA} = average daily liquid surface temperature, °R; see Note 3 to Equation 1-22
- ΔT_V = average daily vapor temperature range, °R; see Note 1 to Equation 1-5

7.1.6.2 Fixed Roof Tank Working Loss

Working loss for fixed roof tanks had historically been estimated using Equation 60-2. The temperature for purposes of determining the vapor density was assumed to be 63°F (523°R) in Equation 60-2, and thus the vapor density was represented as $(M_V P_{VA})/(10.731 \cdot 523)$. The coefficient of 0.0010 was based on this simplification of the vapor density, combined with the 5.614 term for converting barrels to cubic feet, resulting in $(5.614)/(10.731 \cdot 523) = 0.0010$.

$$L_W = 0.0010 M_V P_{VA} Q K_N K_P \quad (60-2)$$

where:

- L_W = working loss, lb/yr
- M_V = vapor molecular weight, lb/lb-mole; see Note 1 to Equation 1-22
- P_{VA} = vapor pressure at average daily liquid surface temperature, psia; see Notes 1 and 2 to Equation 1-22
- Q = annual net throughput (tank capacity [bbl] times annual turnover rate), bbl/yr
- K_N = working loss turnover (saturation) factor, dimensionless
for turnovers >36, $K_N = (180 + N)/6N$
for turnovers ≤36, $K_N = 1$

N = number of turnovers per year, dimensionless

$$N = \frac{5.614 Q}{V_{LX}} \quad (60-3)$$

where:

V_{LX} = tank maximum liquid volume, ft³

$$V_{LX} = \frac{\pi}{4} D^2 H_{LX}$$

(60-4)

where:

D = diameter, ft

H_{LX} = maximum liquid height, ft

K_P = working loss product factor, dimensionless

for crude oils, $K_P = 0.75$

for all other organic liquids, $K_P = 1$

REFERENCES FOR SECTION 7.1

1. [Laverman, R.J., *Emission Reduction Options For Floating Roof Tanks*, Chicago Bridge and Iron Technical Services Company, Presented at the Energy Week 1996, Conference on Pipelines, Terminals and Storage, George R. Brown Convention Center Houston, TX, January 29 – February 2, 1996.](#)
2. [*VOE Emissions From Volatile Organic Liquid Storage Tanks-Background Information For Proposed Standards*, EPA-450/3-81-003a, U. S. Environmental Protection Agency, Research Triangle Park, NC, July 1984.](#)
3. [*Alternative Control Techniques Document: Volatile Organic Liquid Storage in Floating and Fixed Roof Tanks*, EPA-453/R-94-001, U. S. Environmental Protection Agency, Research Triangle Park, NC, January 1994.](#)
4. [*Evaporation Loss From Internal Floating Roof Tanks*, Third Edition, Publication Bulletin No. 2519, American Petroleum Institute, Washington, DC, June 1983.](#)
5. [*Evaporative Loss from Floating-Roof Tanks*, Manual of Petroleum Measurement Standards, Chapter 19.2, Third Edition, American Petroleum Institute, Washington, D.C., October 2012.](#)
6. [Reserved]
7. [*Benzene Emissions From Benzene Storage Tanks-Background Information For Proposed Standards*, EPA-450/3-80-034a, U. S. Environmental Protection Agency, Research Triangle Park, NC, December 1980.](#)
8. [*Evaporative Loss from Fixed-Roof Tanks*, Manual of Petroleum Measurement Standards, Chapter 19.1, Fifth Edition, American Petroleum Institute, Washington, D.C., June 2017.](#)
9. [*Estimating Air Toxics Emissions From Organic Liquid Storage Tanks*, EPA-450/4-88-004, U. S. Environmental Protection Agency, Research Triangle Park, NC, October 1988.](#)
10. [*Barnett, H.C., et al., Properties Of Aircraft Fuels*, NACA-TN 3276, Lewis Flight Propulsion Laboratory, Cleveland, OH, August 1956.](#)
11. [*Petrochemical Evaporation Loss From Storage Tanks*, First Edition, Bulletin No. 2523, American Petroleum Institute, Washington, D.C., 1969.](#)
12. *SIMS Data Base Management System*, Version 2.0, U. S. Environmental Protection Agency, Research Triangle Park, NC, 1990.
13. [Reserved]
14. *National Solar Radiation Data Base, 1991-2010*, prepared by National Renewable Energy Laboratory, Golden, CO, 2012. https://rredc.nrel.gov/solar/old_data/nsrdb/1991-2010/hourly/list_by_state.html
15. [*Ferry, R.L., Documentation Of Rim Seal Loss Factors For The Manual Of Petroleum Measurement Standards: Chapter 19--Evaporative Loss Measurement: Section 2--Evaporative Loss From Floating Roof Tanks*, preliminary draft, American Petroleum Institute, April 5, 1995.](#)

16. [Written communication from R. Jones, et al., Midwest Research Institute, to D. Beauregard, U. S. Environmental Protection Agency, Final Fitting Loss Factors For Internal And External Floating Roof Tanks, May 24, 1995.](#)
17. [Written communication from A. Parker and R. Neulicht, Midwest Research Institute, to D. Beauregard, U. S. Environmental Protection Agency, Fitting Wind Speed Correction Factor For External Floating Roof Tanks, September 22, 1995.](#)
18. [Use Of Variable Vapor Space Systems To Reduce Evaporation Loss, Bulletin No. 2520, American Petroleum Institute, New York, NY, 1964.](#)
19. [Written communication from A. Parker, Midwest Research Institute, to D. Beauregard, U. S. Environmental Protection Agency, Final Deck Fitting Loss Factors for AP-42 Section 7.1, February 23, 1996.](#)
20. Courtesy of R. Ferry, TGB Partnership, Hurdle Mills, NC.
21. [Evaporative Loss from Storage Tank Floating Roof Landings, Manual of Petroleum Measurement Standards, Chapter 19.6, Part 1, First Edition, Technical Report 2567, American Petroleum Institute, Washington, D.C., February 2017.](#)
22. [Evaporative Loss Reference Information and Speciation Methodology, Manual of Petroleum Measurement Standards, Chapter 19.4, Third Edition, Addendum 2, American Petroleum Institute, Washington, D.C., June 2017.](#)
23. [Evaporative Loss from the Cleaning of Storage Tanks, Technical Report 2568, American Petroleum Institute, Washington, D.C., November 2007.](#)
24. [Ferry, R.L., Distillate Flushing Study – Bench and Field Testing – Final Report, prepared for the American Petroleum Institute, March 2014.](#)
25. [2016 Emissions Inventory Guidelines, RG-360/16, Appendix A, Technical Supplement 6, Texas Commission on Environmental Quality, Austin, TX, January 2017.](#)
26. [Short-term Evaporative Loss Estimation from Atmospheric Storage Tanks, Technical Report 2576, First Edition, American Petroleum Institute, Washington, D.C., July 2016.](#)
27. [Evaporative Loss from Closed-vent Internal Floating-roof Storage Tanks, Technical Report 2569, American Petroleum Institute, Washington, D.C., August 2008.](#)
28. *Guide to Fire Hazard Properties of Flammable Liquids, Gases, and Volatile Solids*, NFPA 325, 1994 edition, National Fire Protection Institute, Quincy, MA, 1994.
29. California Air Resources Board. Technical Guidance Document for the Emission Inventory Criteria and Guidelines Regulation for AB 2588, August 1989.
30. Chemistry and Chemical Reactivity, Kotz and Treichel, Saunders College Publishing, Fourth Edition, 1999, page 658.