

BACKGROUND DOCUMENT

REPORT ON REVISIONS TO 5TH EDITION AP-42 CHAPTER 15 - ORDNANCE DETONATION

**EMISSION FACTORS DEVELOPED BASED ON EXPLODING ORDNANCE EMISSION STUDY
PHASE II SERIES 11 TESTING CONDUCTED AT ABERDEEN PROVING GROUND,
MARYLAND**

Prepared for:

DRAFT
U.S. Army Environmental Command
ATTN: IMAE-RTA
Aberdeen Proving Ground, Maryland 21010-5401

October 2008



NOTICE

The information in this document has been funded by the U.S. Army Environmental Command (USAEC) and prepared by MACTEC Federal Programs, Inc., under Contract No. GS-10F-0157K, Order No. W911SR-05-F-0023. It has been reviewed by the U.S. Environmental Protection Agency (EPA) Office of Air Quality Planning and Standards (OAQPS) and has been approved for publication. Mention of trade names or commercial products does not constitute endorsement or recommendation for use.

DRAFT

TABLE OF CONTENTS

	<u>Page</u>
1.0 INTRODUCTION.....	1
2.0 COMPOUNDS MEASURED AND EMISSION MEASUREMENT METHODS.....	2
2.1 Carbon Monoxide, Carbon Dioxide, Oxides of Nitrogen, and Sulfur Dioxide	5
2.2 Sulfur Hexafluoride and Ammonia	6
2.3 Total Suspended Particulate	6
2.4 Particulate Matter with an Aerodynamic Diameter Less than or Equal to 10 or 2.5 Microns ..	6
2.5 Metals	7
2.6 Volatile Organic Compounds	7
2.7 Semivolatile Organic Compounds and Polycyclic Aromatic Hydrocarbons	7
2.8 Dioxin and Furan Compounds	7
2.9 Acid Gases.....	8
2.10 Hydrogen Cyanide.....	8
2.11 Aldehydes and Carbonyl Compounds	8
2.12 Hydrocarbons and Sulfur Hexafluoride.....	8
2.13 Energetic Materials.....	9
2.14 Total Carbon.....	9
2.15 Hexavalent Chromium	9
2.16 Perchlorate.....	9
3.0 TEST DATA ANALYSIS AND RATINGS	10
3.1 EPA Guidance Regarding Test Data Quality Ratings	10
3.2 Analysis of Test Data	11
3.3 Test Data Quality Ratings	17
4.0 EMISSION FACTOR CALCULATIONS.....	22
4.1 Correction of Sample Volume to Standard Conditions	23
4.2 Incorporation of Analytical Detection Limits to the Test Data	24
4.3 Determination of Background Concentration	24
4.4 Determination of Test Compound Concentration	25
4.5 Determination of Background-Corrected Concentration	25
4.6 Determination of Dilution-Corrected Concentration.....	27
4.7 Determination of Mass of Compound Released.....	27
4.8 Determination of Emission Factors	27
4.9 Determination of Average Emission Factors	27
5.0 EMISSION FACTOR RATINGS.....	28
5.1 Emission Factor Ratings Assigned – Based on Ordnance-Specific Test Data	28
5.2 Emission Factor Ratings Assigned – Based on All Available Test Data	29
6.0 REFERENCES.....	39

TABLE OF CONTENTS (cont.)

- APPENDIX A: COMPOUNDS ANALYZED AND EMISSION FACTORS DEVELOPED FOR ORDNANCE INCLUDED IN EXPLODING ORDNANCE EMISSION STUDY PHASE II SERIES 11 TESTING AT ABERDEEN PROVING GROUND, MARYLAND

- APPENDIX B: NEW AP-42 SECTIONS FOR ORDNANCE INCLUDED IN EXPLODING ORDNANCE EMISSION STUDY PHASE II SERIES 11 TESTING AT ABERDEEN PROVING GROUND, MARYLAND

LIST OF TABLES

<u>No.</u>	<u>Title</u>	<u>Page</u>
1	Ordnance for Which Emission Factors Were Developed	1
2	Ordnance Net Explosive Weight.....	2
3	Sampling and Analytical Methods Used.....	4
4	Selected Analytical Method for Compounds Analyzed Using Two Analytical Methods.....	12
5	Compounds for Which Large Relative Percent Differences Were Noted Between Test Runs.....	15
6	Compounds Found in the Method Blank at Levels Between 20 Percent and 50 Percent of Both Test Values	18
7	Compounds Found in the Method Blank at Levels Greater Than 50 Percent of Both Test Values.....	18
8	Downgraded Data Quality Ratings	19
9	Ordnance Categorization for Emission Factor Correlation Assessment	30

LIST OF FIGURES

<u>No.</u>	<u>Title</u>	<u>Page</u>
1	Calculation of background-corrected concentration	26

1.0 INTRODUCTION

Due to the lack of credible data concerning emissions from training ordnance when used in their tactical configurations, the U.S. Army Environmental Command (USAEC) established a program to quantify emissions from the detonation of ordnance. This document presents background information concerning the development of air emission factors for eight types of ordnance used during training exercises at U.S. Army installations. The air emission factors were developed from test data collected by USAEC. Ordnance for which emission factors have been developed and their corresponding AP-42 sections are identified in Table 1. To help readers easily find those emission factors of interest, the ordnance are organized according to their Department of Defense Identification Code (DODIC).

TABLE 1 ORDNANCE FOR WHICH EMISSION FACTORS WERE DEVELOPED

DODIC	Ordnance Description	AP-42 Section
B643	M888 60-mm High Explosive Cartridge (projectile only)	15.2.12
M327	Firing Device Coupling Base	15.9.12
M670	M700 Time Blasting Fuse	15.9.21
MD73	M796 Impulse Cartridge	15.9.26
ML05	MK24 Powder Actuated Cutter	15.9.28
MM50	M221 Clipped Shaped Demolition Charge	15.9.32
MN07	M15 Non-Electric Time Delay Blasting Cap	15.9.36
N278	M564 Mechanical Time and Super Quick (MTSQ) Fuse	15.10.1

The emission factors described in this document are based on data obtained during testing conducted at Aberdeen Proving Ground, Maryland, as presented in the final test report titled *Report No. 11 for the Exploding Ordnance Emission Study Phase II*¹ and the document titled *Detailed Test Plan No. 11 for the Exploding Ordnance Emission Study Phase II*.² These documents were supplemented by additional data provided by the testing contractor.³ For each ordnance, two test runs were conducted. One item was detonated per run for DODICs B643 and ML05, 89 or 99 items (depending upon the test run) were detonated per run for DODIC M327, 100 items were detonated per run for DODIC MD73, 4 items were detonated per run for DODIC MM50, 27 or 30 items (depending upon the test run) were detonated per run for DODIC MN07, and 7 items were detonated per run for DODIC N278. A 5 foot section of fuse was detonated per run for DODIC M670. Source test protocols were developed by USAEC before any testing was conducted and were reviewed by the U.S. Environmental Protection Agency's (EPA's) Emission Measurement Center. The tests were conducted between September 27 and October 8, 2004.

The compounds that were measured included carbon monoxide (CO), carbon dioxide (CO₂), oxides of nitrogen (NO_x), sulfur dioxide (SO₂), ammonia (NH₃), total suspended particulate (TSP), particulate matter with an aerodynamic diameter less than or equal to 10 microns (PM-10), particulate matter with an aerodynamic diameter less than or equal to 2.5 microns (PM-2.5), metals, volatile organic compounds (VOC), semivolatile organic compounds (SVOC), dioxin and furan compounds, acid gases, hydrogen cyanide (HCN), aldehyde and carbonyl compounds, hydrocarbons, polycyclic aromatic hydrocarbons (PAH), energetic materials, total carbon, hexavalent chromium, and perchlorate. Within each of the AP-42 sections, only emission factors for criteria pollutants, carbon dioxide, methane, hazardous air pollutants (as defined by §112(b)(1) of the *Clean Air Act* [CAA]), and toxic chemicals (as defined by §313 of the *Emergency Planning and Community Right-to-Know Act* [EPCRA]) are presented.

The emission factors were developed on a “per item” basis and on a “per net explosive weight (NEW)” basis. Users should choose the appropriate emission factor to estimate emissions based upon the data available; either factor is equally valid. The NEW of each ordnance tested is provided in the corresponding AP-42 section and in Table 2.

TABLE 2 ORDNANCE NET EXPLOSIVE WEIGHT

DODIC	Ordnance Description	NEW (lb/item) ^a
B643	M888 60-mm High Explosive Cartridge (projectile only)	8.21 E-01
M327	Firing Device Coupling Base	5.71 E-05
M670	M700 Time Blasting Fuse	2.70 E-03 ^b
MD73	M796 Impulse Cartridge	7.83 E-04
ML05	MK24 Powder Actuated Cutter	1.26
MM50	M221 Clipped Shaped Demolition Charge	6.62 E-02
MN07	M15 Non-Electric Time Delay Blasting Cap	4.06 E-03
N278	M564 Mechanical Time and Super Quick (MTSQ) Fuse	6.32 E-02

^a NEW values were obtained from Reference 1.

^b NEW value is presented in terms of pounds per linear foot of fuse. References 1 and 4.

This document includes five sections in addition to this Introduction. Section 2 of this document identifies the compounds measured during the test program and describes the emission measurement methods used. Section 3 includes a discussion of the emission factor final test report and ratings for the test data contained therein. Section 4 describes the calculations and methodologies used to develop emission factors for each type of compound measured. Section 5 describes the methodology used to rate the emission factors and provides emission factor ratings for each type of compound measured. Section 6 includes a complete list of the references cited in this document.

There are two appendices included with this document. Appendix A identifies, by ordnance type, all of the compounds for which analyses were performed and the emission factors that were developed. [Note: Compounds present in the method blank at greater than 50 percent of test levels are excluded from Appendix A as described in Section 3.2.4]. Appendix A also identifies the minimum detection levels associated with all compounds that were not detected. Emission factors and minimum detection levels presented in Appendix A were determined from the most accurate method if two sampling or analytical methods were used to measure one compound. Appendix B presents the new AP-42 sections for the eight ordnance that were tested.

In addition to this document, there are electronic databases available on the web (<http://www.epa.gov/ttn/chief/ap42/index.html>) that contain the data used in the development of the emission factors. The general procedures that were followed to develop these emission factors can be found at the same web address under the title *Procedures for Preparing Emission Factor Documents*⁵ and *Draft Detailed Procedures for Preparing Emission Factors*.⁶

2.0 COMPOUNDS MEASURED AND EMISSION MEASUREMENT METHODS

The USAEC Exploding Ordnance Series 11 testing was conducted in two test chambers located at the Aberdeen Test Center (ATC), Maryland. DODICs MN07, MM50, ML05, N278, and B643 were

tested in the Large Octagon Test Chamber (LOTC) while DODICs M327, M670, and MD73 were tested in the Emission Characterization Chamber (ECC). Each chamber is described below.

The LOTC is an eight-sided steel structure with flat ends. Internally, the eight sides were increased to 16 sides by welding steel plates over each wall seam. This design strengthened the LOTC and removed sharp interior corners that would inhibit gaseous mixing during the testing. Additional plates were added to the upper and lower internal corners to create a more parabolic shape. The interior volume is approximately 2,400 cubic feet. Interior wall-to-wall distance is 14.5 feet, with a floor-to-ceiling height of 14 feet.

The measurement assembly and instrument enclosure are mounted on rollers in vertical tracks. After ordnance detonation, the assembly is lowered by an electric hoist from the top of the LOTC through the center of the ceiling and into the chamber. A metal cover on top of the assembly seals the interior when the assembly has been lowered into the LOTC. The LOTC has two flanged viewing ports for video recording and two ports with hinged internal doors through which the mixing fans are inserted.

The ECC is a 3/8-inch thick steel cylinder with parabolic caps welded to each end. The chamber is approximately 7 feet in diameter and 15 feet long with a high-solids epoxy coating on all interior and exterior surfaces. A personnel access door and remotely operated firing port door are integrated into the rear and front parabolic caps, respectively. The firing port door allows the projectile to exit the chamber and then closes to maintain the seal required for emissions characterization.

Fans inside the ECC ensure even distribution of the sulfur hexafluoride (SF₆) tracer gas and weapon emission products. A series of 12 ports are located along the sides and top of the chamber to accommodate instrumentation. A separate instrumentation and test control building is part of the facility and instrumentation and firing of the weapon can be controlled remotely from this location. Instrumentation and equipment are in place to collect emission product data.

A removable interior partition, located between the second and third instrumentation ports, allows the test volume of the ECC to be adjusted to approximately 213, 307, or 520 cubic feet, depending on the size of the weapon tested and expected quantity of emissions. Additional flexibility in testing is provided by weapon boxes that can be mounted to the partition. The weapon boxes are of varying sizes to accommodate different weapons, and are equipped with sealed gloves and viewing ports to allow weapons to be manually operated when needed. The boxes also allow testing to occur when the desired test volume is too small to physically accommodate a weapon.

A number of different test methods were employed to collect and analyze the emission data that were used to develop emission factors for detonation of ordnance. Table 3 identifies each emission test method used; bracketed information identifies the purpose of using the method. The emissions data were collected using EPA test methods published in Title 40 of the Code of Federal Regulations, Part 50 (40 CFR 50); 40 CFR 60; 40 CFR 63; and in *Compendium of Methods for the Determination of Toxic Organic Compounds in Ambient Air*.⁷ Some of the sample analytical procedures used were from EPA Office of Solid Waste (OSW) publication SW-846, *Test Methods for Evaluating Solid Waste, Physical/Chemical Methods*⁸ and the *National Institute for Occupational Safety and Health (NIOSH) Manual of Analytical Methods (NMAM), Fourth Edition*.⁹ Additional sampling and analytical procedures were taken from Internal Operating Procedures (IOP) developed by the ATC Chemistry Team and from Standard Operating Procedures (SOP) developed by the U.S. Army Center for Health Promotion and Preventive Medicine (USACHPPM) Directorate of Laboratory Sciences (DLS). Where necessary, the test methods were adapted to reflect application to the unique testing of ordnance firing in the LOTC and ECC.

TABLE 3 SAMPLING AND ANALYTICAL METHODS USED

Compound	Test Method
CO	40 CFR 60, Appendix A, EPA Method 10 - <i>Determination of Carbon Monoxide Emissions from Stationary Sources</i> [sampling and analysis]
CO ₂	40 CFR 60, Appendix A, EPA Method 3A - <i>Determination of Oxygen and Carbon Dioxide Concentrations in Emissions from Stationary Sources (Instrumental Analyzer Procedure)</i> [sampling and analysis]
NO _x	40 CFR 60, Appendix A, EPA Method 7E - <i>Determination of Nitrogen Oxides Emissions from Stationary Sources (Instrumental Analyzer Procedure)</i> [sampling and analysis]
SO ₂	40 CFR 60, Appendix A, EPA Method 6C - <i>Determination of Sulfur Dioxide Emissions from Stationary Sources (Instrumental Analyzer Procedure)</i> [sampling and analysis]
SF ₆ and NH ₃	40 CFR 63, Appendix A, EPA Proposed Method 320 - <i>Measurement of Vapor Phase Organic and Inorganic Emissions by Extractive Fourier Transform Infrared (FTIR) Spectroscopy</i> [sampling and analysis]
TSP	40 CFR 60, Appendix A, EPA Method 17- <i>Determination of Particulate Emissions from Stationary Sources (In-Stack Filtration Method)</i> [sampling] 40 CFR 50, Appendix B - <i>Reference Method for the Determination of Suspended Particulate Matter as in the Atmosphere (High Volume Method)</i> [analysis]
PM-10 and PM-2.5	40 CFR 60, Appendix A, EPA Method 17- <i>Determination of Particulate Emissions from Stationary Sources (In-Stack Filtration Method)</i> [sampling] 40 CFR 50, Appendix B - <i>Reference Method for the Determination of Suspended Particulate Matter as in the Atmosphere (High Volume Method)</i> [analysis]
Metals	Metal sample was obtained from TSP sample [sampling] EPA Method 200.7 - <i>Determination of Metals and Trace Elements in Water and Wastes by Inductively Coupled Plasma - Atomic Emission Spectrometry</i> [analysis] EPA Method 200.8 - <i>Determination of Metals and Trace Elements in Waters and Wastes by Inductively Coupled Plasma - Mass Spectrometry</i> [analysis]
VOC	EPA Compendium Method TO-14A - <i>Determination of Volatile Organic Compounds (VOCs) in Ambient Air Using Specially Prepared Canisters with Subsequent Analysis by Gas Chromatography</i> [sampling and analysis]
SVOC	EPA Compendium Method TO-13A - <i>Determination of Polycyclic Aromatic Hydrocarbons (PAHs) in Ambient Air Using Gas Chromatography/Mass Spectrometry (GC/MS)</i> [sampling and analysis] SW-846 Method 8270 Modified (SW8270M) - <i>Semivolatile Organic Compounds by Gas Chromatography/Mass Spectrometry (GC/MS)</i> [analysis]
PAH	EPA Compendium Method TO-13A - <i>Determination of Polycyclic Aromatic Hydrocarbons (PAHs) in Ambient Air Using Gas Chromatography/Mass Spectrometry (GC/MS)</i> [sampling and analysis]

TABLE 3 (cont.)

Compound	Test Method
Dioxins and Furans	EPA Compendium Method TO-9A - <i>Determination of Polychlorinated, Polybrominated, and Brominated/Chlorinated Dibenzo-p-Dioxins and Dibenzofurans in Ambient Air</i> [sampling and analysis]
Acid Gases	NIOSH Method 7903 - <i>Inorganic Acids</i> [sampling and analysis]
Hydrogen Cyanide	NIOSH Method 7904 - <i>Aerosol and Gas Cyanides</i> [sampling and analysis]
Aldehydes and Carbonyls	EPA Compendium Method TO-11A - <i>Determination of Formaldehyde in Ambient Air Using Adsorbent Cartridge Followed by High Performance Liquid Chromatography (HPLC)</i> [sampling and analysis]
Hydrocarbons	40 CFR 60, Appendix A, EPA Method 18 - <i>Measurement of Gaseous Organic Compound Emissions by Gas Chromatography</i> [sampling] USACHPPM SOP CAD 64.1 - <i>Procedure for the Identification and Measurement of C1 Through C6 Hydrocarbons and Sulfur Hexafluoride in Tedlar Gas Bags</i> [analysis]
SF ₆	40 CFR 60, Appendix A, EPA Method 18 - <i>Measurement of Gaseous Organic Compound Emissions by Gas Chromatography</i> [sampling] Project specific IOP, IR and gas chromatography with electron capture detection (GC/ECD) [analysis]
Energetic Materials	EPA Compendium Method TO-13A - <i>Determination of Polycyclic Aromatic Hydrocarbons (PAHs) in Ambient Air Using Gas Chromatography/Mass Spectrometry (GC/MS)</i> [sampling] USACHPPM SOP CAD 26.3 - <i>Procedure for Analysis of Explosives in Ambient Air</i> [analysis]
Total Carbon	NIOSH Method 5040 - <i>Diesel Particulate Matter as Elemental Carbon</i> [sampling and analysis]
Hexavalent Chromium	OSHA Method ID-215 - <i>Hexavalent Chromium in Workplace Atmospheres</i> [sampling and analysis]
Perchlorate	EPA Method 314 - <i>Determination of Perchlorate in Drinking Water Using Ion Chromatography</i> [sampling and analysis] ATC IOP No. 412 - <i>Analysis of Perchlorate Ion by Ion Chromatography with the ASI6 Column</i> [sampling and analysis]

The following sections identify and briefly describe the test methods used to measure each compound or group of compounds. Additional information regarding the operation of the LOTC and ECC and the test methods used is presented in Reference 2. EPA-approved methods were used by the laboratories that provided sampling and analysis data.

2.1 Carbon Monoxide, Carbon Dioxide, Oxides of Nitrogen, and Sulfur Dioxide

Real-time concentrations of CO, CO₂, NO_x, and SO₂ that resulted from the use of ordnance in the test chambers were measured using a continuous emissions measurement system (CEMS). The final test report¹ states that the compounds were measured using EPA reference methods as described in the

following paragraph. Although the report does include results for some quality control checks, due to a lack of calibration data, conformance with the stated methodologies could not be confirmed.

CO sampling and analysis was conducted in accordance with 40 CFR Part 60, Appendix A, Method 10 - *Determination of Carbon Monoxide Emissions from Stationary Sources*, with a Thermo Environmental Instruments, Inc. (TEI) Model No. 41C nondispersive infrared analyzer. CO₂ sampling and analysis was conducted in accordance with 40 CFR Part 60, Appendix A, Method 3A - *Determination of Oxygen and Carbon Dioxide Concentrations in Emissions from Stationary Sources*, with a TEI Model No. 48C nondispersive infrared analyzer. NO_x sampling and analysis was conducted in accordance with 40 CFR Part 60, Appendix A, Method 7E - *Determination of Nitrogen Oxides Emissions from Stationary Sources*, with a TEI Model No. 42C-HL chemiluminescent analyzer. SO₂ sampling and analysis was conducted in accordance with 40 CFR Part 60, Appendix A, Method 6C - *Determination of Sulfur Dioxide Emissions from Stationary Sources*, with a TEI 43H pulsed fluorescent analyzer.

Each analyzer channel sampled at approximately 11.5 liters per minute (L/min) through Teflon-lined polyethylene tubing with Mine Safety Appliance (MSA) ultra type H cartridge filters used to control particulate. Heated sample lines were used to prevent condensation and an inline Balston® 95S6 filter was used to trap any condensation that formed. Data were collected four times per second for a minimum of 20.5 minutes (ECC) and 25 minutes (LOTC).

2.2 Sulfur Hexafluoride and Ammonia

Extractive FTIR spectroscopy was used to measure real-time concentrations of the SF₆ tracer gas and NH₃ as well as to qualitatively identify other permanent gas species using protocols modified from procedures published in 40 CFR 63, Appendix A, EPA Proposed Method 320 - *Measurement of Vapor Phase Organic and Inorganic Emissions by Extractive Fourier Transform Infrared (FTIR) Spectroscopy*. Samples were drawn continuously from the test chambers at a nominal rate of 14 L/min using a Teflon-lined polyethylene tube and an Alcatel Pascal® rotary vane-type pump, for a minimum of 20.5 minutes (ECC) and 25 minutes (LOTC). During sampling, the FTIR spectra were collected and stored every 20 seconds.

2.3 Total Suspended Particulate

The TSP concentration that resulted from the use of ordnance in the test chambers was determined using a modified sampling and analysis procedure based on 40 CFR 60, Appendix A, Reference Method 17 - *Determination of Particulate Emissions from Stationary Sources (In-Stack Filtration Method)*. An Air Metrics TSP ambient air sampling module equipped with a quartz fiber filter was connected by a flex line to the Method 17 metering system. The metering system extracted test chamber air through a particulate filter at a nominal rate of 11 L/min for a target minimum sampling time of 20 minutes. The TSP concentration was computed, in accordance with 40 CFR 50, Appendix B - *Reference Method for the Determination of Suspended Particulate Matter as in the Atmosphere*, by dividing the mass of TSP collected by the volume of air sampled, corrected to standard conditions.

2.4 Particulate Matter with an Aerodynamic Diameter Less than or Equal to 10 or 2.5 Microns

PM₁₀ and PM_{2.5} concentrations that resulted from the use of ordnance in the test chambers were determined using a modified sampling and analysis procedure based on 40 CFR 60, Appendix A, modified EPA Method 17 - *Determination of Particulate Emissions from Stationary Sources (In-Stack Filtration Method)*. An ambient sampler with Air Metrics PM-10 and PM-2.5 ambient air sampling modules was used to collect the PM-10 and PM-2.5 samples at a sampling rate of 5 L/min for 20 minutes. The PM-10 and PM-2.5 modules were equipped with polytetrafluorethylene (PTFE) particulate filters that

were weighed before and after sampling in accordance with 40 CFR 50, Appendix B – *Reference Method for the Determination of Suspended Particulate Matter as in the Atmosphere*. The particulate concentrations were computed by dividing the mass of PM-10 and PM-2.5 collected by the respective volume of air sampled, corrected to standard conditions.

2.5 Metals

Metal concentrations that resulted from the use of ordnance in the test chambers were determined using particulate matter from the TSP samples collected as described in Section 2.3. The analyses followed the procedures of EPA Method 200.7 - *Determination of Metals and Trace Elements in Water and Wastes by Inductively Coupled Plasma - Atomic Emission Spectrometry* and EPA Method 200.8 - *Determination of Metals and Trace Elements in Waters and Wastes by Inductively Coupled Plasma - Mass Spectrometry*. The methods were modified to include additional metals. Concentrations of target metals were computed by dividing the mass of metal collected by the volume of air sampled, corrected to standard conditions.

2.6 Volatile Organic Compounds

VOC concentrations that resulted from the use of ordnance in the test chambers were determined using procedures from the *Second Supplement to Compendium of Methods for the Determination of Toxic Organic Compounds in Ambient Air*, Method TO-14A - *Determination of Volatile Organic Compounds (VOCs) in Ambient Air Using Specially-Prepared Canisters with Subsequent Analysis by Gas Chromatography*. Air samples were collected for 20 minutes using a Xontech, Inc., pressurized canister sampler and silicon-lined 6-liter SUMMA canister that were certified VOC-free prior to use. An analysis by gas chromatography/mass spectrometry in full scan mode (GC/MS/SCAN) followed. Unknown compounds were tentatively identified using computerized mass spectral matching techniques.

2.7 Semivolatile Organic Compounds and Polycyclic Aromatic Hydrocarbons

SVOC and PAH concentrations that resulted from the use of ordnance in the test chambers were determined based on procedures found in Method TO-13A - *Determination of Polycyclic Aromatic Hydrocarbons (PAHs) in Ambient Air Using Gas Chromatography/Mass Spectrometry (GC/MS)*. During each run, samples were collected using a TISCH® Model No. T E-1002 ambient air sampling module equipped with a quartz fiber filter and XAD-2 adsorbent resin cartridge. The sampling module was connected by flex line to a stack source airflow metering system. The metering system extracted the sample at a nominal rate of 28 L/min for 20 minutes. Following sampling, the filters and resin cartridges underwent solvent extraction and analysis by GC/MS analysis in selected ion monitoring (SIM) mode. The sample extracts were reanalyzed with the mass spectrometer in scan mode following modified procedures in SW-846 Method 8270 - *Semivolatile Organic Compounds by Gas Chromatography/Mass Spectrometry (GC/MS)*. Modifications are described in USACHPPM SOPs SV 54.1 – *The Determination of Gaseous and Particulate Polynuclear Aromatic Hydrocarbons (PAHs) in Ambient Air Using Gas Chromatography/Mass Spectrometry in the Selective Ion Monitoring Mode (GS/MS-SIM)*, EPA TO-13 and SV 72.7 – *Analysis of SW-846 Extracts for Semivolatile Organics by EPA Method 8270C*. Unknown compounds were tentatively identified using computerized mass spectral matching techniques.

2.8 Dioxin and Furan Compounds

Polychlorinated dibenzodioxin (PCDD) and polychlorinated dibenzofuran (PCDF) compound concentrations that resulted from the use of ordnance in the test chambers were determined based on procedures found in Method TO-9A - *Determination of Polychlorinated, Polybrominated and Brominated/ Chlorinated Dibenzo-p-Dioxins and Dibenzofurans in Ambient Air*. Samples were collected

using a TISCH TE-1002 ambient air sampling module with a quartz fiber particulate filter and a polyurethane foam (PUF) packed cartridge. The sampling module was connected to a stack source airflow metering system with a flex line and used to sample for 20 minutes at a nominal rate of 28 L/min. After sampling, the filters and cartridges underwent extraction and analysis by GC/High Resolution Mass Spectroscopy according to Method TO-9A, modified via SW 846 Method 8290 - *Polychlorinated Dibenzodioxins (PCDDs) and Polychlorinated Dibenzofurans (PCDFs) by High-Resolution Gas Chromatography/High-Resolution Mass Spectrometry (HRGC/HRMS)* and EPA Method 1613B - *Tetra-Through Octa-Chlorinated Dioxins and Furans by Isotope Dilution HRGC/HRMS*.

2.9 Acid Gases

Acid gas concentrations that resulted from the use of ordnance in the test chambers were determined based on procedures found in NIOSH Method 7903 - *Inorganic Acids*. Acid gases were collected by using silica gel sorbent tubes (ORBO-53) and a sampling pump using an APEX Instruments Model No. 623 meter console. Sample gases were passed through the sorbent tubes for 20 minutes at a nominal rate of 0.5 L/min. Analysis was performed according to NIOSH Method 7903, by ion chromatography as detailed in ATC IOP No. 372 - *Anion Analysis Using the AS14 Column*.

2.10 Hydrogen Cyanide

HCN concentrations that resulted from the use of ordnance in the test chambers were determined using NIOSH Method 7904 - *Aerosol and Gas Cyanides*. The sample gas was drawn through a 1.0 micrometer PVC filter and a Teflon impinger containing 25 mL of 0.1 normal potassium hydroxide (KOH) for 20 minutes at a nominal rate of 1 L/min. The impinger solution and extracted filter were analyzed by ion chromatography in accordance with NIOSH Method 7904.

2.11 Aldehyde and Carbonyl Compounds

Aldehyde and carbonyl compound concentrations that resulted from the use of ordnance in the test chambers were determined using EPA Compendium Method TO-11A - *Determination of Formaldehyde in Ambient Air Using Adsorbent Cartridge Followed by High Performance Liquid Chromatography (HPLC)*, but using modified sampling and analytical procedures. Dinitrophenylhydrazine (DNPH) laden cartridge tubes were used as a direct probe to trap and derivatize aldehyde and carbonyl compounds. Sample gases were extracted for 20 minutes from the test chambers through ozone denuders at a rate of 2 L/min using an APEX Instruments Model No. 623 meter console. Analysis was by reverse-phase HPLC with ultraviolet (UV) detection using Compendium Method TO-11A modified as detailed in ATC IOP 389.4 - *Analysis of Formaldehyde and Other Carbonyl Compounds by High Performance Liquid Chromatography*.

2.12 Hydrocarbons and Sulfur Hexafluoride

Hydrocarbon and SF₆ concentrations that resulted from the use of ordnance in the test chambers were sampled using 40 CFR 60, Appendix A, EPA Method 18 - *Measurement of Gaseous Organic Compound Emissions by Gas Chromatography*. The samples were collected in Tedlar[®] bags at a rate of 0.4 L/min for 20 minutes. Analysis for the light hydrocarbons was by gas chromatography with a flame ionization detector (GC/FID) in accordance with USACHPPM SOP CAD 64.1 - *Procedure for the Identification and Measurement of C1 Through C6 Hydrocarbons and Sulfur Hexafluoride in Tedlar Gas Bags*. SF₆ was analyzed by gas chromatography with electron capture detection (GC/ECD). This measurement served as a backup to the FTIR measurement of SF₆.

2.13 Energetic Materials

Energetic compound concentrations that resulted from the use of ordnance in the test chambers were determined based on procedures found in EPA Compendium Method TO-13A - *Determination of Polycyclic Aromatic Hydrocarbons (PAHs) in Ambient Air Using Gas Chromatography/Mass Spectrometry (GC/MS)*. Samples were collected using a TISCH TE-1002 ambient air sampling module equipped with a quartz fiber particulate filter and an XAD-2 adsorbent resin cartridge. The sampling module was used to sample for 20 minutes at a rate of approximately 28 L/min.

Analyses followed procedures outlined in USACHPPM SOP CAD 26.3 – *Procedure for Analysis of Explosives in Ambient Air*. These operating procedures specifically address the extraction and analysis of XAD-2 resin used to sample energetic and propellant compounds from air. The compounds were extracted from the XAD-2 resin using isoamyl acetate and analyzed by gas chromatography with electron capture detection (GC/ECD) or gas chromatography with mass spectrometry (GC/MS). A surrogate compound (3,4-dinitrotoluene) was added to the XAD-2 resin prior to sampling. The quartz fiber filter used in conjunction with the XAD-2 resin was extracted and analyzed separately to characterize the energetic materials present as particulate solids. The filter was placed in a vial containing isoamyl acetate immediately after testing to preserve the sample and prevent sublimation of any of the analytes. No surrogate compound was used in the analysis of the filter portion of the sample.

2.14 Total Carbon

Total carbon concentrations that resulted from the use of ordnance in the test chambers were determined based on the procedures in NIOSH Method 5040 - *Diesel Particulate Matter as Elemental Carbon*. Samples were collected at a rate of 2.0 L/min using an APEX Instruments Model No. 623 meter console. A dry gas meter contained in the console was used to measure the sample volume. Flow rates were verified using an electronic flow meter. The particulate sample was collected on a 37-mm heat-treated quartz fiber filter and was analyzed using a thermo-optical analyzer to differentiate between organic and elemental carbon.

2.15 Hexavalent Chromium

The hexavalent chromium concentrations that resulted from the use of ordnance in the test chambers were determined based on modified procedures in OSHA Method ID-215 - *Hexavalent Chromium in Workplace Atmospheres*. Since particulate results from previous weapons firing showed that a large fraction of the total particulate produced was less than 2.5 microns in size, the method was modified to use a 0.8- μm pore size polyvinyl chloride (PVC) filter instead of a 5- μm PVC filter. Samples were collected at a rate of 3.5 L/min using an APEX Instruments Model No. 623 meter console. A dry gas meter contained in the console was used to measure the sample volume. Flow rates were verified using an electronic flow meter. The filter media was extracted and analyzed using ion chromatography with post-column derivatization and detection with an ultraviolet-visible (UV-Vis) detector.

2.16 Perchlorate

Perchlorate concentrations that resulted from the use of ordnance in the test chambers were determined based on the procedures in EPA Method 314 - *Determination of Perchlorate in Drinking Water Using Ion Chromatography* and ATC IOP No. 412 – *Analysis of Perchlorate Ion by Ion Chromatography with the AS16 Column*. Particulate perchlorate sampling was performed using a 1.0- μm pore size Teflon filter. A Teflon midget impinger containing deionized water was used to trap perchloric acid vapor. Samples were drawn for 20 minutes at a rate of 1.5 L/min via an APEX Instruments Model No. 623 meter console. A dry gas meter contained in the console was used to measure the sample

volume. Flow rates were verified using an electronic flow meter. The filter media was extracted using deionized water and both the filter extract and the impinger solution were analyzed using ion chromatography with conductivity detection.

3.0 TEST DATA ANALYSIS AND RATINGS

3.1 EPA Guidance Regarding Test Data Quality Ratings

Prior to inclusion of emission factors in AP-42, the reliability of the underlying emission test data must be appraised in accordance with the rating system specified in Reference 5. Under this rating system, test data are assigned a rating from A to D, where an “A” rating is assigned to the highest quality data. The criteria used to assign a specific data quality rating are summarized below.

- A** Tests are performed by using an EPA reference test method, or when not applicable, a sound methodology. Tests are reported in enough detail for adequate validation and raw data are provided that can be used to duplicate the emission results presented in the report.
- B** Tests are performed by a generally sound methodology, but lacking enough detail for adequate validation. Data are insufficient to completely duplicate the emission result presented in the report.
- C** Tests are based on an unproven or new methodology, or are lacking a significant amount of background information.
- D** Tests are based on a generally unacceptable method, but the method may provide an order-of-magnitude value for the source.

Four specific criteria are identified in Reference 5 for consideration to assist in the assignment of a test data quality rating. These four criteria are:

1. Source operation. If the manner in which the source was operated is well documented in the report and the source was operating within typical parameters during the test, an “A” rating should be assigned. If the report stated parameters that were typical, but lacked detailed information, a “B” rating should be assigned. If there is reason to believe the operation was not typical, a “C” or “D” rating should be assigned.
2. Test methods and sampling procedures. In developing the ratings, the estimated accuracy and precision of the test method as well as the adequacy of the documentation should be considered. In general, if a current EPA reference test method, appropriate for the source, was followed, the rating should be higher (“A” or “B”). If other methods were used, an assessment should be made of their validity. If it is judged that the method was likely to be inaccurate or biased, a lower rating (“C” or “D”) should be given. A complete report should indicate whether any procedures deviated from standard methods and explain any deviations. If deviations were reported, an evaluation should be made of whether these were likely to influence the test results.
3. Process information. During testing, many variations in the process can occur without warning and sometimes without being noticed. Such variations can induce wide deviations in sampling results. If a large variation between test run results cannot be explained by information contained in the site final test report or from test reports of other sources, the data are suspect and should be given a lower rating or excluded. However, it should be recognized that a process may have highly variable emissions and a lower rating may not be appropriate solely on the basis of wide deviations in sampling results.

4. Analysis and calculations. Ideally, final test reports should contain original raw data sheets and other documentation such as gas parameters (dry cubic feet per minute, oxygen percentage), calculation sheets, or example calculations describing how the calculated emission results were obtained. If there are data sheets, the nomenclature and equations used should be compared to those specified by EPA to establish equivalency. The depth of review of the calculations should be dictated by the reviewers' confidence in the ability and conscientiousness of the tester, based on such factors as consistency of results and completeness of other areas of the final test report. Reports may indicate that raw data sheets were available, but were not included. If the final test report is of high quality based on the other criteria, the quality rating should not be lowered due to a lack of data sheets.

An overall test data quality rating should be assigned based upon the ratings assigned for each of the four criteria.

3.2 Analysis of Test Data

Data included in the final test report,¹ the detailed test plan,² and in the analytical data supporting the test report³ were rated in accordance with the rating system described above. Results for each of the four criteria described above are presented in the following sections.

3.2.1 Source Operations

The manner by which the ordnance were deployed (i.e., used) is documented in the final test report. With the exception of the adaptations discussed below that were made to facilitate testing in the test chambers, each ordnance that was tested was deployed in a manner similar to that which would occur in the field. DODIC B643 was disassembled prior to testing so that only the projectile was tested. The projectile was initiated using an M6 electric blasting cap that was also used during the background run so that emissions associated with the initiator could be subtracted from the total emissions associated with the initiator and projectile. In addition, DODIC M327 was initiated using an N28B electric match; DODICs ML05, MM50, and MN07 were initiated using RP-83 exploding bridgewire detonators; and DODIC N278 was initiated using an RP-2 exploding bridgewire detonator. These initiators were also used during the background runs. The tests appear to have replicated typical ordnance operating parameters; consequently, the test data should be assigned an "A" rating based on this criterion.

3.2.2 Test Methods and Sampling Procedures

The test methods and sampling procedures were evaluated as being appropriate and consistent with EPA test methods or sound methodology. Except as noted below, no problems of any significance were identified; consequently, the test data should be assigned an "A" rating based on this criterion.

3.2.2.1 CEMS-Measured Data

CEMS data were provided for the tests,³ but not for the pre- and post-test quality control (QC) activities. CEMS QC measures specified under 40 CFR 60, Appendix A, EPA Methods 3A, 7E, and 6C were not followed. Furthermore, none of the calibration gas certifications were supplied. There was no evidence of bias in the data, but based on the issues noted above, the test data for the CEMS-measured compounds (i.e., CO, CO₂, NO_x, and SO₂) should be assigned a "B" rating based on this criterion.

3.2.2.2 Compounds Sampled or Analyzed Using More than One Test Method or Analytical Method

Thirty-one compounds were either sampled or analyzed using two methods; these compounds are identified in Table 4. For each of these compounds, emission factors were calculated based upon the data

measured using the more appropriate test or analytical method; data obtained using the less appropriate method were ignored. The more appropriate method was identified by reviewing the methods and the target compound lists associated with each method. If a specific compound appeared on the target compound list for one method but not the other, the method targeting the compound was selected. If a specific compound appeared on the target compound lists for both methods, the method judged to provide the most accurate data was selected.

TABLE 4 SELECTED ANALYTICAL METHOD FOR COMPOUNDS ANALYZED USING TWO ANALYTICAL METHODS

Compound	Selected Method	Other Method Employed
Acenaphthene ^a	TO-13A (PAH)	SW8270M (SVOC)
Acenaphthylene ^b	TO-13A (PAH)	SW8270M (SVOC)
Acrolein	TO-11A (Aldehydes)	TO-14A (VOC)
Anthracene	TO-13A (PAH)	SW8270M (SVOC)
Benzo[a]anthracene	TO-13A (PAH)	SW8270M (SVOC)
Benzo[b]fluoranthene	TO-13A (PAH)	SW8270M (SVOC)
Benzo[k]fluoranthene	TO-13A (PAH)	SW8270M (SVOC)
Benzo[g,h,i]perylene ^c	TO-13A (PAH)	SW8270M (SVOC)
Benzo[a]pyrene ^{d, e}	TO-13A (PAH)	SW8270M (SVOC)
1,3-Butadiene	40 CFR 60 Method 18 (Hydrocarbons)	TO-14A (VOC)
Chrysene	TO-13A (PAH)	SW8270M (SVOC)
Dibenz[a,h]anthracene	TO-13A (PAH)	SW8270M (SVOC)
1,2-Dichlorobenzene ^f	TO-14A (VOC)	SW8270M (SVOC)
1,3-Dichlorobenzene ^f	TO-14A (VOC)	SW8270M (SVOC)
1,4-Dichlorobenzene ^g	TO-14A (VOC)	SW8270M (SVOC)
2,4-Dinitrotoluene ^h	SOP CAD 26.3 (Energetics)	SW8270M (SVOC)
2,6-Dinitrotoluene ^h	SOP CAD 26.3 (Energetics)	SW8270M (SVOC)
Fluoranthene	TO-13A (PAH)	SW8270M (SVOC)
Fluorene ⁱ	TO-13A (PAH)	SW8270M (SVOC)
Hexachlorobutadiene ^j	TO-14A (VOC)	SW8270M (SVOC)
Hexachloroethane ^f	TO-14A (VOC)	SW8270M (SVOC)
Hexane	40 CFR 60, Method 18 (Hydrocarbons)	TO-14A (VOC)
Indeno[1,2,3-cd]pyrene	TO-13A (PAH)	SW8270M (SVOC)
Naphthalene ^k	TO-13A (PAH)	SW8270M (SVOC)
Nitrobenzene	SOP CAD 26.3 (Energetics)	SW8270M (SVOC)
Phenanthrene ^l	TO-13A (PAH)	SW8270M (SVOC)
Propylene	40 CFR 60, Method 18 (Hydrocarbons)	TO-14A (VOC)

TABLE 4 (cont.)

Compound	Selected Method	Other Method Employed
Pyrene	TO-13A (PAH)	SW8270M (SVOC)
1,2,4-Trichlorobenzene ^j	TO-14A (VOC)	SW8270M (SVOC)
Acetone	TO-11A (Aldehydes)	TO-14A (VOC)
Pentane	40 CFR 60, Method 18 (Hydrocarbons)	TO-14A (VOC)

^a For DODICs M327, M670, MD73, MM50, MN07, and N278, data collected from the SVOC sampling method were used to develop emission factors because this compound was present in the PAH method blank at a level greater than 20 percent of the test values.

^b For DODIC M327, data collected from the SVOC sampling method were used to develop emission factors because this compound had a relative percent difference greater than 100 percent between PAH test samples.

^c For DODIC N278, data collected from the SVOC sampling method were used to develop emission factors because this compound had a relative percent difference greater than 100 percent between PAH test samples.

^d For DODICs M670, MD73, ML05, MM50, and MN07, data collected from the SVOC sampling method were used to develop emission factors because this compound was present in the hydrocarbon method blank at a level greater than 20 percent of the test values.

^e For DODIC N278, data collected from the SVOC sampling method were used to develop emission factors because this compound was present in the PAH method blank at a level greater than 20 percent of the test values and this compound had a relative percent difference greater than 100 percent between PAH test samples.

^f For DODIC M670, data collected from the SVOC sampling method were used to develop emission factors because this compound had a relative percent difference greater than 100 percent between VOC test samples.

^g For DODIC N278, data collected from the SVOC sampling method were used to develop emission factors because this compound had a relative percent difference greater than 100 percent between VOC test samples.

^h For DODIC B643, data collected from the SVOC sampling method were used to develop emission factors because this compound had a relative percent difference greater than 100 percent between energetics test samples.

ⁱ For DODICs M327, M670, MD73, and MN07, data collected from the SVOC sampling method were used to develop emission factors because this compound was present in the PAH method blank at a level greater than 20 percent of the test values.

^j For DODICs M327, M670, and ML05, data collected from the SVOC sampling method were used to develop emission factors because this compound had a relative percent difference greater than 100 percent between VOC test samples.

^k For DODICs M327 and MD73, data collected from the SVOC sampling method were used to develop emission factors because this compound was present in the PAH method blank at a level greater than 20 percent of the test values.

^l For DODICs M327, M670, and MD73, data collected from the SVOC sampling method were used to develop emission factors because this compound was present in the PAH method blank at a level greater than 20 percent of the test values.

If a compound was analyzed using both the SW8270M (SVOC) and TO-14A (VOC) methods, the TO-14A method analysis was judged to be more accurate and was therefore selected. For compounds analyzed using both the SW8270M (SVOC) and TO-13A (PAH) methods, the TO-13A value was selected because TO-13A allowed quantification of compounds at lower levels than SW8270M. For

compounds analyzed using both SW8270M (SVOC) and SOP CAD 26.3 (energetic materials), the SOP CAD 26.3 data were selected because SOP CAD 26.3 allows detection of compounds at lower levels than SW8270M. If a compound was analyzed using both the TO-14A (VOC) and TO-11A (aldehydes) methods, the TO-11A method analysis was judged to be more accurate and was therefore selected. For compounds analyzed using both TO-14A (VOC) and Method 18 (hydrocarbons), and for which the compounds appeared on both target compound lists, the Method 18 analysis was judged to be more accurate and was selected.

Occasionally, the compound measurement from the less accurate method was chosen because the compound was present in the method blank of the preferred method. These cases are also noted in the footnotes to Table 4.

3.2.2.3 Tentatively Identified Compounds

During the analysis of the SVOC data, the 20 highest nontarget “peaks” were tentatively identified using computerized mass spectral matching techniques. Similarly, during the analysis of the VOC data, the 20 highest nontarget “peaks” were tentatively identified. Emission factors were developed for these tentatively identified compounds (TICs) if all of the following criteria were met.

1. The TIC corresponded to a unique compound (e.g., ethylbenzene). Emission factors were not developed if the TIC corresponded to a class of compounds (e.g., unknown alcohol).
2. The TIC was not identified using another analysis method that provided higher confidence data. Emission factors were developed based upon the higher confidence analysis method if such data were available.
3. The TIC was not present in the method blank. Emission factors were not developed if the TIC was found in the corresponding method blank.

The number of SVOCs that were tentatively identified as unique compounds, were not identified using a higher confidence method, and were not present in the method blank varied from zero to seven compounds per ordnance. The number of VOC that were tentatively identified as unique compounds, were not identified using a higher confidence method, and were not present in the method blank varied from one to ten compounds per ordnance. Emission factors were developed for all of these TICs, but because of the uncertainty in the true identity of the TICs, the test data were assigned a “C” rating.

3.2.3 Process Information

Ordnance are manufactured to tight tolerances and are expected to deploy in a very repeatable fashion. Consequently, the test data should be assigned an “A” rating based upon this criterion. However, large relative percent differences (i.e., greater than 100 percent) between test runs were noted for several compounds. Specific instances in which these differences were noted are identified in Table 5. The equation below illustrates calculation of relative percent difference:

$$\text{relative percent difference} = \frac{\text{test 1 concentration} - \text{test 2 concentration}}{\text{average of test 1 and test 2 concentrations}} \times 100\%$$

Due to the large relative percent differences between test runs, the test data specifically identified in Table 5 were assigned a “C” rating. The remainder of the data should be assigned an “A” rating based on this criterion.

TABLE 5 COMPOUNDS FOR WHICH LARGE RELATIVE PERCENT DIFFERENCES WERE NOTED BETWEEN TEST RUNS

Compound	Applicable DODIC
Carbon monoxide	B643
Methane	B643
Oxides of nitrogen	B643
Sulfur dioxide	B643, M327
Acetonitrile	MD73
Acrylonitrile	MD73
Aluminum	B643
Ammonia	B643, MD73
Arsenic	B643, MM50
Benzene	B643, MD73
Cadmium	B643, MM50
Carbon disulfide	M670, N278
Chloromethane	MM50, N278
Hexavalent chromium	MM50
Cobalt	B643, MM50
Copper	M670
Cumene	MD73
1,3-Dinitrobenzene	B643
Ethylbenzene	MD73, N278
Ethylene	B643
Formaldehyde	M327
1,2,3,4,6,7,8-Heptachlorodibenzo-p-dioxin	MM50, MN07
1,2,3,4,6,7,8-Heptachlorodibenzofuran	B643
1,2,3,4,7,8-Hexachlorodibenzo-p-dioxin	MN07
1,2,3,6,7,8-Hexachlorodibenzo-p-dioxin	MN07
1,2,3,7,8,9-Hexachlorodibenzo-p-dioxin	MD73
Manganese	B643
Methyl isobutyl ketone	M670, MD73
Nickel	B643, MM50
Nitric acid	B643
Nitroglycerin	B643, MD73, MM50
4-Nitrophenol	ML05

TABLE 5 (cont.)

Compound	Applicable DODIC
1,2,3,4,6,7,8,9-Octachlorodibenzo-p-dioxin	MM50
Propylene	B643
Silver	B643, MM50
Styrene	ML05, N278
2,3,7,8-Tetrachlorodibenzofuran	MN07
1,1,2,2-Tetrachloroethane	M670
Thallium	MM50
Toluene	B643, MD73
Trichlorofluoromethane	M327
1,2,4-Trimethylbenzene	M670, MD73, ML05
Vanadium	B643, MM50
m-xylene, p-xylene	MD73
o-xylene	M670, MD73
Acetic acid, methyl ester	M670
Benzaldehyde	M327, ML05
Benzenamine, 2,4,6-trinitro-	N278
1,4-Benzenedicarboxaldehyde	ML05
1,2-Butadiene	M670
3-Buten-2-one, 3-methyl	M670
Elemental carbon	B643
Cyclohexane, 1-ethyl-2-methyl	M327
Cyclohexane, 1-ethyl-4-methyl	M327
Cyclohexane, (1-methylpropyl)	M327
Ethane	B643
4-Ethyltoluene	M670, MD73
Furan	MD73
2-Hexanone	M670
Methyl ethyl ketone	B643, MD73
alpha.Methylstyrene	M670
Nonane, 3-methyl	M327
.alpha-Pinene	ML05
1,2-Propadiene	MD73, MM50
Propiolonitrile	ML05, N278

TABLE 5 (cont.)

Compound	Applicable DODIC
Silane, difluorodimethyl-	MD73, ML05
Squalene	MD73, MN07
1,3,5-Trimethylbenzene	M670, MD73
1,3,5-Trinitrobenzene	B643
2,4,6-Trinitrotoluene	B643
Trisulfide, dimethyl	M670
Undecane	MD73
Undecane, 2,6-dimethyl	M327

3.2.4 Analysis and Calculations

The test report,¹ detailed test plan,² and analytical data supporting the test report³ were reviewed to determine whether they contained all of the original raw data, other documentation, and example calculations. Although the test report did not contain raw field data, the data were made available upon request. The test report also lacked certain calibration data. However, the missing information was judged insufficient to result in a downgrade of the test data quality rating.

The raw data and sample calculations presented in the final test report, detailed test plan, and analytical data supporting the test report were reviewed to determine if the emission factors presented in the report could be duplicated. Where differences were found between the emission factors calculated using the Excel spreadsheets and those presented in the test report, an examination was made to determine the reason for the differences.

Several minor errors were noted in the calculation of the emission factors within the test report, particularly with respect to correcting the sample volumes to standard conditions and the incorporation of analytical detection limits into the emission factors (see Sections 4.1 and 4.2). The emission factors presented in AP-42 are based upon the corrected spreadsheets. Based upon the raw data, other documentation, and the Excel spreadsheet calculations, the test data should be assigned an “A” rating.

Emission factors developed for compounds present in the method blank at levels of 20 percent to 50 percent of both test values were assumed to be biased high. Several compounds met this criterion and are identified in Table 6. For these compounds, the test data were assigned a “B” rating.

When compounds were found in the method blank at levels greater than 50 percent of both test values, the data were assumed to be suspect and no emission factors were developed. The compounds that met this criterion are listed in Table 7.

3.3 Test Data Quality Ratings

Upon completing the analysis described in the preceding section of this document, the test data quality ratings assigned as a result of the four criteria were reviewed. This review led to a downgrading of some of the test data from an “A” rating to either a “B” rating or a “C” rating. Table 8 identifies the data quality ratings for all compounds that did not receive an “A” rating.

TABLE 6 COMPOUNDS FOUND IN THE METHOD BLANK AT LEVELS BETWEEN 20 PERCENT AND 50 PERCENT OF BOTH TEST VALUES

Compound	Applicable DODIC
1,2,3,4,6,7,8-Heptachlorodibenzo-p-dioxin	B643
1,2,3,4,6,7,8-Heptachlorodibenzofuran	B643
1,2,3,4,7,8,9-Heptachlorodibenzofuran	ML05, N278
1,2,3,4,7,8-Hexachlorodibenzofuran	N278
1,2,3,4,6,7,8,9-Octachlorodibenzo-p-dioxin	B643
1,2,3,4,6,7,8,9-Octachlorodibenzofuran	ML05
Elemental carbon	M670, MN07
Organic carbon	MD73, MN07
Total carbon	MD73, MN07

TABLE 7 COMPOUNDS FOUND IN THE METHOD BLANK AT LEVELS GREATER THAN 50 PERCENT OF BOTH TEST VALUES

Compound	Applicable DODIC
Acenaphthene	M327
Antimony	M670, MD73, MM50
Barium	M670, MD73, MM50, MN07
bis(2-Ethylhexyl)phthalate	B643, M327, MD73, ML05, MM50, N278
Fluorene	M327
1,2,3,4,6,7,8-Heptachlorodibenzo-p-dioxin	M327, M670, MD73
1,2,3,4,6,7,8-Heptachlorodibenzofuran	MD73, MN07
1,2,3,4,7,8-Hexachlorodibenzofuran	B643, M327, MN07
Naphthalene	M327
1,2,3,4,6,7,8,9-Octachlorodibenzo-p-dioxin	M327, M670, MD73, MN07
1,2,3,4,6,7,8,9-Octachlorodibenzofuran	B643, M327, M670, MD73, MM50, MN07, N278
Zinc	M670
Calcium	M327, M670, MN07
Organic carbon	M327
Total carbon	M327
Magnesium	M327, M670

TABLE 8 DOWNGRADED DATA QUALITY RATINGS

Compound	Data Quality Rating	Applicable DODIC
Carbon dioxide	B	All DODICs
Carbon monoxide	C	B643
Carbon monoxide	B	M327, M670, MD73, ML05, MM50, MN07, N278
Methane	C	B643
Oxides of nitrogen	C	B643
Oxides of nitrogen	B	M327, M670, MD73, ML05, MM50, MN07, N278
Sulfur dioxide	C	B643, M327
Sulfur dioxide	B	M670, MD73, ML05, MM50, MN07, N278
Acetophenone	C	ML05
Acetonitrile	C	MD73
Acrylonitrile	C	MD73
Aluminum	C	B643
Ammonia	C	B643, MD73
Arsenic	C	B643, MM50
Benzene	C	B643, MD73
Cadmium	C	B643, MM50
Carbon disulfide	C	M670, N278
Chloromethane	C	MM50, N278
Hexavalent chromium	C	MM50
Cobalt	C	B643, MM50
Copper	C	M670
Cumene	C	MD73
1,3-Dinitrobenzene	C	B643
Ethylbenzene	C	MD73, N278
Ethylene	C	B643
Formaldehyde	C	M327
1,2,3,4,6,7,8-Heptachlorodibenzo-p-dioxin	C	MM50, MN07
1,2,3,4,6,7,8-Heptachlorodibenzofuran	C	B643
1,2,3,4,7,8-Hexachlorodibenzo-p-dioxin	C	MN07
1,2,3,6,7,8-Hexachlorodibenzo-p-dioxin	C	MN07

TABLE 8 (cont.)

Compound	Data Quality Rating	Applicable DODIC
1,2,3,7,8,9-Hexachlorodibenzo-p-dioxin	C	MD73
Manganese	C	B643
1,2,3,4,6,7,8-Heptachlorodibenzo-p-dioxin	B	B643
1,2,3,4,6,7,8-Heptachlorodibenzofuran	B	B643
1,2,3,4,7,8,9-Heptachlorodibenzofuran	B	ML05, N278
1,2,3,4,7,8-Hexachlorodibenzofuran	B	N278
Methyl isobutyl ketone	C	M670, MD73
Nickel	C	B643, MM50
Nitric acid	C	B643
Nitroglycerin	C	B643, MD73, MM50
4-Nitrophenol	C	ML05
1,2,3,4,6,7,8,9-Octachlorodibenzo-p-dioxin	C	MM50
1,2,3,4,6,7,8,9-Octachlorodibenzo-p-dioxin	B	B643
1,2,3,4,6,7,8,9-Octachlorodibenzofuran	B	ML05
Propylene	C	B643
Silver	C	B643, MM50
Styrene	C	ML05, N278
2,3,7,8-Tetrachlorodibenzofuran	C	MN07
1,1,2,2-Tetrachloroethane	C	M670
Thallium	C	MM50
Toluene	C	B643, MD73
Trichlorofluoromethane	C	M327
1,2,4-Trimethylbenzene	C	M670, MD73, ML05
Vanadium	C	B643, MM50
m-xylene, p-xylene	C	MD73
o-xylene	C	M670, MD73
Acetic acid, methyl ester	C	M670
Benzaldehyde	C	M327, ML05
Benzenamine, 2,4-dinitro-	C	N278
Benzenamine, 2,4,6-trinitro-	C	N278
1,4-Benzenedicarboxaldehyde	C	ML05
Benzenemethanol,.alpha.,.alpha	C	ML05
1,2-Butadiene	C	M670

TABLE 8 (cont.)

Compound	Data Quality Rating	Applicable DODIC
1,3-Butadiyne	C	ML05
3-Buten-2-one, 3-methyl	C	M670
Elemental carbon	C	B643
Elemental carbon	B	M670, MN07
Organic carbon	B	MD73, MN07
Total carbon	B	MD73, MN07
Cyclohexene, 4-ethenyl-	C	ML05
Cyclohexane, 1-ethyl-2-methyl	C	M327
Cyclohexane, 1-ethyl-4-methyl	C	M327
Cyclohexane, (1-methylpropyl)	C	M327
Cyclohexane, 1-methyl-3-propyl-	C	M327
Cyclohexane, propyl-	C	M327
Cyclopentanone	C	M670
2-Cyclopenten-1-one, 2,3-dimethyl-	C	M670
2-Cyclopenten-1-one, 2-methyl-	C	M670
2-Cyclopenten-1-one, 3-methyl-	C	M670
n-Decane	C	M327
N,N-Diethylcarbanilide	C	MD73
Disulfide, dimethyl	C	M670
1-Dodecene	C	MN07
Ethane	C	B643
1-Ethyl-4methylcyclohexane	C	M327
4-Ethyltoluene	C	M670, MD73
o-Ethyltoluene	C	MD73
2-Furaldehyde	C	M670
Furan	C	M670, MD73
2-Furancarboxaldehyde, 5-methyl-	C	M670
2-Hexanone	C	M670
Methyl ethyl ketone	C	B643, MD73
2-Methylfuran	C	M670
alpha.Methylstyrene	C	M670
2-Methylthiophene	C	M670
3-Methylthiophene	C	M670

TABLE 8 (cont.)

Compound	Data Quality Rating	Applicable DODIC
n-Nonane	C	M327
Nonane, 3-methyl	C	M327
Octadecane	C	MD73
Octane, 2,6-dimethyl-	C	M327
1-Pentene	C	MN07
Phenylethyne	C	ML05
.alpha-Pinene	C	ML05, MM50
1R-.alpha.-Pinene	C	M327
1,2-Propadiene	C	MD73, MM50, MN07
Propiolonitrile	C	B643, ML05, N278
8-Quinolinamine	C	ML05
Silane, difluorodimethyl-	C	MD73, ML05
Squalene	C	MD73, MN07
Thiophene	C	M670
1,3,5-Trimethylbenzene	C	M670, MD73
1,3,5-Trinitrobenzene	C	B643
2,4,6-Trinitrotoluene	C	B643
Triphenyl phosphate	C	ML05
Trisulfide, dimethyl	C	M670
Undecane	C	M327, MD73
Undecane, 2,6-dimethyl	C	M327
Xenon	C	MN07

4.0 EMISSION FACTOR CALCULATIONS

The methodologies and procedures that were used to develop emission factors from the test data are described in this section. A similar approach was used to calculate emission factors for SVOC and PAH compounds. The calculation steps that were performed for each sample and each configuration are summarized below.

1. The sample volumes associated with the background and test runs were corrected to the EPA Stationary Source Program standard temperature and pressure (i.e., 68°F and 29.92 inches of mercury).
2. For compounds for which more than one test sample was obtained, analytical detection limits were incorporated into the test data.

3. The background compound concentration was calculated by dividing the mass of compound detected during the background run by the background run sample volume corrected to standard conditions.
4. The test compound concentration was calculated by dividing the mass of compound detected during the test run by the test run sample volume corrected to standard conditions.
5. A background-corrected concentration was calculated by subtracting the background concentration from the test concentration.
6. A dilution-corrected concentration was calculated by dividing the background-corrected concentration by the test dilution correction factor.
7. The mass of compound released during the test run was calculated by multiplying the dilution-corrected concentration by the volume of the test chamber.
8. Emission factors for each sample and test run were calculated by dividing the mass of compound released by the number of ordnance detonated during the test run or by the NEW detonated during the test run, as appropriate.
9. Average emission factors were calculated for each compound.

Because concentration data (i.e., parts per million by volume [ppmv] or parts per billion by volume [ppbv]) were recorded for VOC, hydrocarbons, FTIR-measured compounds, and CEMS-measured compounds, it was not necessary to calculate a corrected sample volume as described in step 1 or to calculate background and test concentrations as described in steps 3 and 4. Detection limits were applied directly to test compound concentrations as described in step 2. As appropriate, ppmv and ppbv values were converted to mg/m^3 . Emission factors for VOC, hydrocarbons, and CEMS-measured compounds were then estimated in accordance with steps 5 through 9 described above. FTIR-measured compound emission factors were also estimated in accordance with steps 5 through 9 described above, except that step 6, the dilution correction, was not required. FTIR-measured concentrations were determined from initial steady-state points that occurred prior to significant dilution.

Test and background concentrations of TSP, PM-10, PM-2.5, metal, acid gas, hydrogen cyanide, aldehyde, dioxin/furan, total carbon, hexavalent chromium, energetic, and perchlorate compounds were provided by the laboratory. The laboratory calculated the concentrations based upon the sample volumes as measured at actual conditions. Concentration data received from the laboratory were corrected for volume at Stationary Source Program standard conditions and analytical detection limits were incorporated as described in step 2. Emission factors for these compounds were then estimated in accordance with steps 5 through 9 described above.

The following sections describe each of the nine emission factor calculation steps listed above in more detail.

4.1 Correction of Sample Volume to Standard Conditions

Because sample volumes were initially reported at actual conditions, calculations to correct the sample volumes to the EPA Stationary Source Program standard temperature of 68°F and pressure of 29.92 inches of Hg (20°C and 760 mm Hg) were performed. To obtain the sample volume at EPA Stationary Source Program standard conditions (V_{stat}), the sample volume at actual conditions (V_{act}) was multiplied by the ratio of pressure at actual conditions (P_{act}) to temperature at actual conditions (T_{act}) and by the ratio of temperature at Stationary Source Program standard conditions (T_{stat}) to pressure at Stationary Source Program standard conditions (P_{stat}). This calculation is illustrated by the following equation:

$$V_{stat} = V_{act} \times \frac{P_{act}}{T_{act}} \times \frac{T_{stat}}{P_{stat}}$$

4.2 Incorporation of Analytical Detection Limits to the Test Data

In most cases, more than one test sample was obtained for a specific compound (i.e., more than one test run was conducted). When multiple samples were obtained for the same compound, a comparison was made of all the sample data collected. Based upon the results of the comparison, the following adjustments were made to the test data:

1. If all of the samples indicated that a compound was “not detected,” the sample data were not adjusted.
2. If all of the samples indicated that a compound was detected, the sample data were not adjusted.
3. If one or more of the samples indicated that a compound was detected and one or more of the samples indicated that a compound was not detected, the “not detected” values were replaced with a value equal to one half of the compound’s analytical detection limit. The assumption inherent to this adjustment was that the measured presence of a compound in one or more samples was indicative of the compound’s presence in all samples. The analytical detection limits for each sample were obtained from the analytical data supporting the test report.

4.3 Determination of Background Concentration

For SVOC and PAH, the background compound concentration (BC) was calculated by dividing the mass of compound detected during the background run (Bkgd mass) by the background run sample volume corrected to EPA Stationary Source Program standard conditions (Bkgd V_{stat}). The background concentration calculation is illustrated by the following equation:

$$BC = \frac{Bkgd\ mass}{Bkgd\ V_{stat}}$$

The background compound concentrations of TSP, PM-10, PM-2.5, metals, acid gases, hydrogen cyanide, aldehydes, dioxin/furan compounds, total carbon, hexavalent chromium, energetics, and perchlorate provided by the lab were calculated using the sample volume at actual conditions (Bkgd V_{act}). In order to correct the concentrations to EPA Stationary Source Program standard conditions (Bkgd V_{stat}), the uncorrected concentrations (Bkgd UC) were multiplied by the ratio of volume at actual conditions to volume at standard conditions. This calculation is illustrated by the following equation:

$$BC = Bkgd\ UC \times \frac{Bkgd\ V_{act}}{Bkgd\ V_{stat}}$$

FTIR- and CEMS-measured compounds were not sampled for during the background runs. However, background data were recorded for each test run between the time the FTIR and CEMS began sampling and the time of detonation. The only FTIR- or CEMS-measured compound for which significant background concentrations were recorded was CO₂. The CO₂ background concentration was assumed to equal a representative value over the sampling period. Background concentrations for the other FTIR- and CEMS-measured compounds were assumed to be zero.

4.4 Determination of Test Compound Concentration

For SVOC and PAH compounds, the test compound concentration (TC) was calculated by dividing the mass of compound detected during the test run (Test mass) by the test run sample volume corrected to EPA Stationary Source Program standard conditions (Test V_{stat}). This test compound calculation is illustrated by the following equation:

$$TC = \frac{\text{Test mass}}{\text{Test } V_{stat}}$$

Test compound concentrations of TSP, PM-10, PM-2.5, metals, acid gases, hydrogen cyanide, aldehydes, dioxin/furan compounds, total carbon, hexavalent chromium, energetics, and perchlorate provided by the lab were calculated using the sample volume at actual conditions. In order to correct the concentrations to EPA Stationary Source Program standard conditions, the uncorrected concentrations (Test UC) were multiplied by the ratio of the volume at actual conditions (Test V_{act}) to the volume at EPA Stationary Source Program standard conditions (Test V_{stat}). This calculation is illustrated by the following equation:

$$TC = \text{Test UC} \times \frac{\text{Test } V_{act}}{\text{Test } V_{stat}}$$

For VOC, hydrocarbons, FTIR-measured compounds, and CEMS-measured compounds, sample volume correction was not required. VOC and hydrocarbon test concentration values were used directly. Test concentrations of CEMS-measured compounds were determined as the average values measured over the test duration. Test concentrations of FTIR-measured compounds were determined based upon the initial steady-state values reached after detonation. The time at which a compound's concentration reached an initial steady state was determined by visually inspecting plots of the concentration data versus time. The initial steady state corresponds to the time at which a compound was well mixed within the test chamber, but before the compound's concentration began to decrease at a steady rate due to dilution.

4.5 Determination of Background-Corrected Concentration

For all compounds, the calculation of the background-corrected concentration (BCC) was dependent on whether the background (BC) and test concentrations (TC) were detected and whether they were less than, equal to, or greater than one another. The procedures used to calculate the background-corrected concentration for each sampling train and compound are described below and are displayed graphically in Figure 1.

1. If the test concentration was not detected (ND), the background-corrected concentration equaled ND.
2. If the test concentration was detected and the background concentration was not detected, the background-corrected concentration equaled the test concentration.
3. If the test and background concentrations were detected and the test concentration was less than or equal to the background concentration, the background-corrected concentration equaled 0.
4. If the test and background concentrations were detected and the test concentration was greater than the background concentration, the background concentration was subtracted from the test concentration. This calculation is illustrated by the following equation:

$$BCC = TC - BC$$

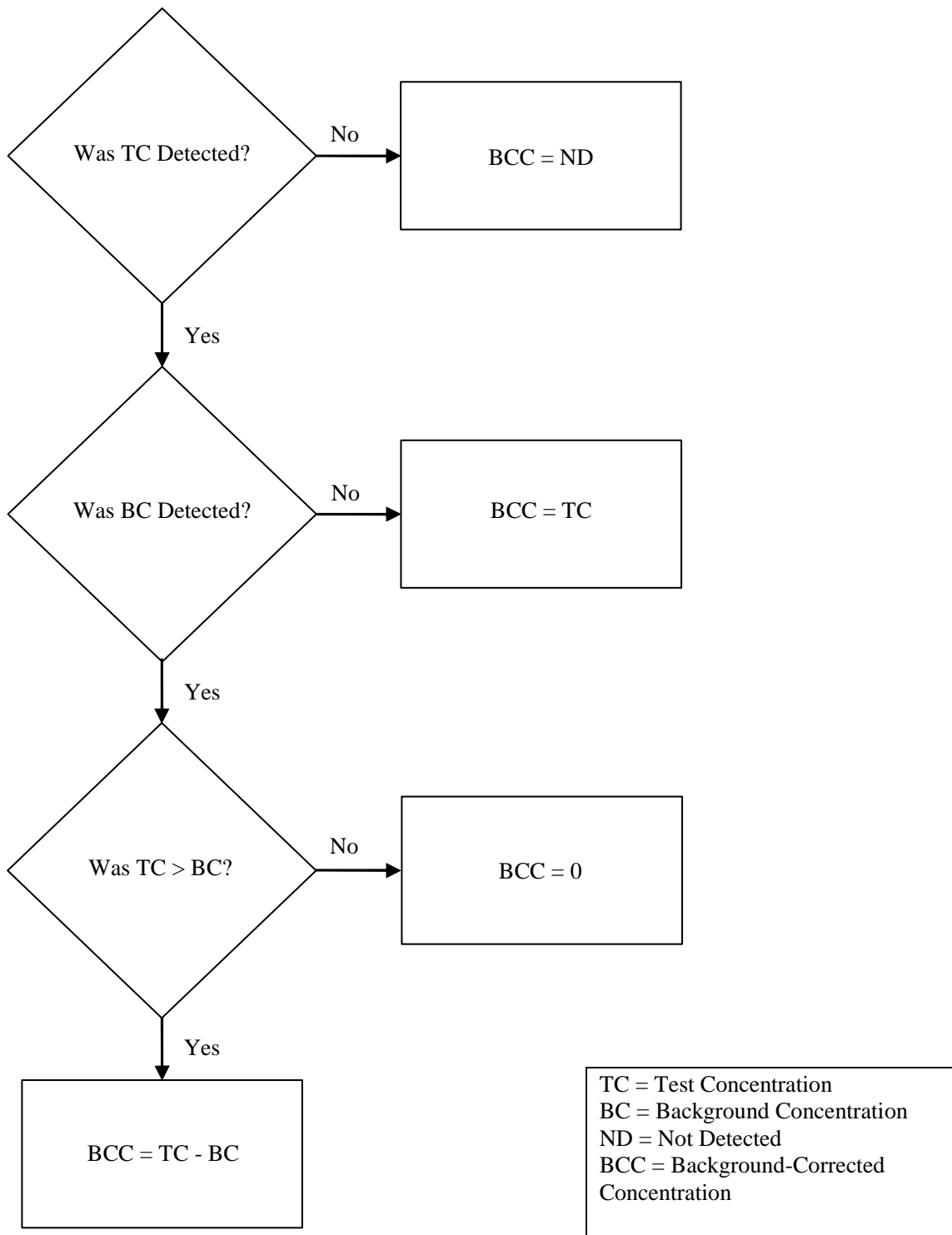


Figure 1 Calculation of background-corrected concentration.

M6 electric blasting caps were used to initiate the detonation of DODIC B643; N28B electric matches were used to initiate the detonation of DODIC M327; RP-83 exploding bridgewire detonators were used to initiate the detonation of DODICs ML05, MM50, and MN07; and RP-2 exploding bridgewire detonators were used to initiate the detonation of DODIC N278. To quantify emissions associated with the initiators and thereby allow the emissions to be subtracted from the resulting emission factors, the initiators were used during the background runs. As a result, it was necessary to correct these background concentrations for dilution. This was accomplished by multiplying the background concentration by the ratio of test dilution correction factor (DCF_{test}) to background dilution correction factor ($DCF_{background}$) prior to completing either step 3 or step 4 as described above. The calculation of the background-corrected concentration for those DODICs that were tested with an initiator is illustrated by the following equation:

$$BCC = TC - BC \times \frac{DCF_{test}}{DCF_{background}}$$

4.6 Determination of Dilution-Corrected Concentration

The dilution-corrected concentration (DCC) was calculated by dividing the background-corrected concentration by the applicable test dilution correction factor. This calculation is illustrated by the following equation:

$$DCC = \frac{BCC}{DCF_{test}}$$

With the exception of FTIR-measured compounds, dilution correction factors were obtained from the test contractor.³ Because the test concentrations of FTIR-measured compounds were obtained prior to dilution, it was not necessary to calculate a dilution corrected concentration for these compounds.

4.7 Determination of Mass of Compound Released

The mass of compound released was calculated by multiplying the dilution-corrected concentration by the volume of the test chamber. This calculation is illustrated by the following equation:

$$\text{Mass compound released} = DCC \times \text{Test chamber volume}$$

4.8 Determination of Emission Factors

Once the mass of compound released was calculated, two emission factors were developed for each sample and for each test run with the exception of DODIC M670: the mass of compound released per item (i.e., per single ordnance) and the mass of compound released per pound NEW. Because the length of fuse used may vary for DODIC M670, emission factors are not presented for this DODIC in terms of pounds of emissions per item. The NEW for all ordnance were determined from References 1 and 4.

4.9 Determination of Average Emission Factors

Steps 1 through 8, as described in Sections 4.1 through 4.8, are applicable to individual samples within individual test runs. The final step in the emission factor calculation process was to calculate average emission factors for each compound in terms of mass released per item and mass released per pound NEW. The average emission factors for each compound were calculated as the arithmetic mean of the individual samples associated with the compound. If all samples indicated that the compound was not

detected (ND), then the average emission factor was assigned a value of ND. [Note: The minimum detection levels associated with the compounds that were not detected are presented in Appendix A.]

Total dioxin/furan emission factors were calculated by summing the average emission factors for all dioxin/furan compounds. Samples of energetic materials were collected using both filters and resin packed cartridges. However, the filter and resin were analyzed separately. Because the filter and resin packed cartridge were arranged in series, average emission factors calculated for the filter were added to average emission factors calculated for resin packed cartridge to determine total emission factors.

5.0 EMISSION FACTOR RATINGS

The emission factors were appraised in accordance with the rating system specified in Reference 5. Under this rating system, emission factors are assigned a rating from A to E, where an “A” rating is assigned to the highest quality factors. The criteria used to assign a specific emission factor rating are summarized below.

- A Excellent. The emission factor was developed primarily from A- and B-rated source test data taken from many randomly chosen facilities in the industry population. The source category population was sufficiently specific to minimize variability.
- B Above average. The emission factor was developed primarily from A- or B-rated test data from a moderate number of facilities. Although no specific bias was evident, it was not clear if the facilities tested represented a random sample of the industry. As with the “A” rating, the source category population was sufficiently specific to minimize variability.
- C Average. The emission factor was developed primarily from A-, B-, and/or C-rated test data from a reasonable number of facilities. Although no specific bias was evident, it was not clear if the facilities tested represented a random sample of the industry. As with the “A” rating, the source category population was sufficiently specific to minimize variability.
- D Below average. The emission factor was developed primarily from A-, B-, and C-rated test data from a small number of facilities, and there may have been reason to suspect that these facilities did not represent a random sample of the industry. There also may have been evidence of variability within the source category population.
- E Poor. The emission factor was developed from C- and D-rated test data from a very limited number of facilities, and there may have been reason to suspect that the facilities tested did not represent a random sample of the industry. There also may have been evidence of variability within the source category population.

Two analyses were conducted to assign ratings to the ordnance emission factors. First, an analysis was conducted on an ordnance-specific basis. Second, an analysis was conducted using all available ordnance emission factor data. The second analysis was conducted to determine whether a sufficient correlation existed between emission factors for different but similar ordnance to allow the number of test data points to be increased to the point that higher emission factor ratings could be assigned than were possible when using the ordnance-specific approach. Both analyses are described below.

5.1 Emission Factor Ratings Assigned – Based on Ordnance-Specific Test Data

As previously described, emission factor ratings are dependent upon the test data quality, the number of test data points, the amount of variability present within a source category population, and the randomness of the source category sample. The following test data facts pertain to these rating criteria:

1. As described in Section 3 of this Background Document, the ordnance test data was primarily rated A or B. The test data for a few compounds was rated C.
2. Only two tests were conducted per ordnance.
3. Ordnance are manufactured to very tight tolerance levels so there is little variability within a specific type of ordnance.
4. There was no evidence that suggested the tested items within each type of ordnance were specially selected.

Emission factor ratings were assigned based upon these facts. The rationale used to accept or reject specific emission factor ratings follow.

- A: Rejected. The number of test data points was deemed to be insufficient to assign an A emission factor rating.
- B: Rejected. The number of test data points was deemed to be insufficient to assign a B emission factor rating.
- C: Accepted for most ordnance. The emission factors were developed using A- and B-rated test data, there is little variability among items, and there was no evidence that suggested the tested items were specially selected. Because of the limited number of data points, a C rating was deemed appropriate for this set of circumstances.
- D: Accepted for some ordnance. The emission factors were developed using C-rated test data, there is little variability among items, and there was no evidence that suggested the tested items were specially selected. Because of the limited number of data points, a D rating was deemed appropriate for this set of circumstances.
- E: Rejected. The ordnance described in this report were developed primarily using A- and B-rated test data rather than C- or D-rated data, there is little variability among items, and there was no evidence that suggested the tested items were specially selected. Therefore, an E emission factor rating was deemed inappropriate.

5.2 Emission Factor Ratings Assigned – Based on All Available Test Data

The proceeding sections of this Background Document concern the emission measurement methods, data analysis, and calculations used to develop emission factors for specific ordnance. However, USAEC's ordnance emission factor development program includes more than 200 ordnance that have been tested under more than 25 separate test series. Because many of these ordnance are similar in size and/or chemical composition, a statistical analysis was conducted to assess the similarity of the emission factors developed for similar ordnance. The results of this analysis were used to reevaluate the emission factor ratings assigned on an ordnance-specific basis.

USAEC characterized individual ordnance as falling into one of 17 separate categories, depending upon the size and/or chemical composition of the ordnance. The ordnance and their respective categories are identified in Table 9 along with a comment field describing the number of data points.

Within each of the 17 ordnance categories identified by USAEC, emission factors for each compound were compared. To allow the comparison of emission factors for ordnance with similar constituents but significant differences in net explosive weight, the comparison was made using the normalized emission factor units of mass of compound released per pound NEW. Based upon information provided by EPA,¹⁰ the following procedures were used to assess the data correlation:

TABLE 9 ORDNANCE CATEGORIZATION FOR EMISSION FACTOR CORRELATION ASSESSMENT

Category	DODIC	Ordnance Description	Test Series	Comment
CS	G963	M7A3 CS Riot Control Agent Hand Grenade	DPG VI	<10 data points
	K765	CS Riot Control Agent Capsule	DPG VI	
Demolition	G900	TH3 AN-M14 Incendiary Hand Grenade	EO 5	20+ data points
	G911	MK3A2 Offensive Hand Grenade	EO 2	
	G911	MK3A2 Offensive Hand Grenade	EO 6	
	K010	M4 Field Incendiary Burster	EO 5	
	K145	M18A1 Antipersonnel Mine	EO 2	
	M023	M112 Demolition Block Charge	EO 1	
	M030	1/4-Pound Demolition Block Charge	EO 1	
	M030	1/4-Pound Demolition Block Charge	EO 3	
	M031	1/2-Pound Demolition Block Charge	DPG IV-A	
	M032	1-Pound Demolition Block Charge	EO 2	
	M032	1-Pound Demolition Block Charge	EO 3	
	M130	M6 Electric Blasting Cap	EO 7	
	M131	M7 Non-Electric Blasting Cap	EO 7	
	M241	M10 High Explosive Universal Destructor	DPG IV-B	
	M456	PETN Type 1 Detonating Cord	DPG IV-A	
	M500	M21 Cartridge Actuated Cutter	EO 10	
	M591	M1 Military Dynamite Demolition Block Charge	EO 1	
	M913	M58A3 Linear Demolition Charge	EO 3	
	ML05	MK24 Powder Actuated Cutter	EO 11	
	ML09	Linear Shaped Demolition Charge, 20 gr/ft	DPG IV-A	
	ML15	Linear Shaped Demolition Charge, 225 gr/ft	DPG IV-A	
	ML47	M11 Non-Electric Blasting Cap with 30-foot Shock Tube	EO 7	
	MM50	M221 Clipped Shaped Demolition Charge	EO 11	
MN02	M12 Non-Electric Blasting Cap with 500-foot Shock Tube	EO 7		
MN03	M13 Non-Electric Blasting Cap with 1,000-foot Shock Tube	EO 7		
MN06	M14 Non-Electric Time Delay Blasting Cap	EO 7		

TABLE 9 (cont.)

Category	DODIC	Ordnance Description	Test Series	Comment
Demolition, continued	MN06	M14 Non-Electric Time Delay Blasting Cap	EO 7	20+ data points
	MN07	M15 Non-Electric Time Delay Blasting Cap	EO 11	
	MN08	M81 Time Blasting Fuse Igniter	EO 9	
	MN68	M151 Booster Demolition Charge	DPG VIII	
	None	PAX-11, Granular Powder Burn	EO 4	
	None	PAX-11, Molded Pellet Detonation	EO 4	
Fuse	G878	M228 Practice Hand Grenade Fuse	DPG VI	10+ data points
	K051	M604 Anti-Tank Practice Mine Fuse	EO 6	
	N278	M564 Mechanical Time and Super Quick (MTSQ) Fuse	EO 11	
	N285	M577A1 Mechanical Time and Super Quick (MTSQ) Fuse	EO 9	
	N286	M582 Mechanical Time and Super Quick (MTSQ) Fuse	EO 7	
	N335	M557 Point Detonating Fuse	EO 5	
	N340	M739A1 Point Detonating Fuse	EO 5	
	N464	M732 Proximity Fuse	EO 9	
Grenade	G881	M67 Fragmentation Hand Grenade	EO 1	<10 data points
	G978	M82 Simulant Screening Smoke Launcher Grenade	DPG V-B	
	G982	M83 Terephthalic Acid (TA) Smoke Practice Hand Grenade	DPG V-A	
	GG09 ^a	M84 Non-Lethal Stun Hand Grenade	EO 12	
Illumination	B535	M583A1 40-mm White Star Parachute Cartridge	DPG IV-B	20+ data points
	B536	M585 40-mm White Star Cluster Cartridge	DPG IV-B	
	B627	M83A3 60-mm Illuminating Cartridge (projectile only)	DPG V-B	
	D505	M485A2 155-mm Illumination Projectile (projectile only)	DPG I	
	L305	M195 Green Star Parachute Signal Flare	DPG I	
	L306	M158 Red Star Cluster Signal Flare	DPG II	
	L307	M159 White Star Cluster Signal Flare	DPG II	

TABLE 9 (cont.)

Category	DODIC	Ordnance Description	Test Series	Comment
Illumination, continued	L311	M126A1 Red Star Parachute Signal Flare	DPG II	20+ data points
	L312	M127A1 White Star Parachute Signal Flare	DPG I	
	L314	M125A1 Green Star Cluster Signal Flare	DPG I	
	L367	M22 Anti-Tank Guided Missile and Rocket Launching Simulator	DPG VI	
	L410	M206 Aircraft Countermeasure Flare	DPG VI	
Inert	HA11 ^a	2.75-inch Rocket, MK40 Mod 3 Motor with M255A1 Flechette Warhead	Unclear	<10 data points
Large	C511	M490 105-mm Target Practice Tracer Cartridge (M13 tracer only)	EO 6	<10 data points
	C784 ^a	M831 120-mm Target Practice Tracer Cartridge	EO 12	
	C785 ^a	M865 120-mm Target Practice Discarding Sabot Tracer Cartridge	EO 12	
Medium	BA11 ^a	M1001 40-mm Canister Cartridge	EO 12	<10 data points
	BA15 ^a	M769 60-mm Full Range Practice Cartridge	EO 12	
Medium-FP	A652	M220 20-mm Target Practice Tracer Cartridge	FP 9	10+ data points
	A940	M910 25-mm Target Practice Discarding Sabot Tracer Cartridge	FP 8	
	A976	M793 25-mm Target Practice Tracer Cartridge	FP 8	
	B505	M662 40-mm Red Star Parachute Cartridge	DPG VIII	
	B519	M781 40-mm Practice Cartridge	FP 2	
	B584	M918 40-mm Practice Cartridge	FP 2	
Mine	K042	M88 Practice Canister Mine (Volcano)	DPG VIII	<10 data points
Mortar	CA03	XM929 120-mm White Phosphorus Smoke Cartridge (projectile only)	DPG V-B	<10 data points
Projectile	B129	M789 30-mm High Explosive Dual Purpose Cartridge (projectile only)	EO 9	20+ data points
	B542	M430 40-mm High Explosive Dual Purpose Cartridge (projectile only)	EO 3	
	B571	M383 40-mm High Explosive Cartridge (projectile only)	EO 3	

TABLE 9 (cont.)

Category	DODIC	Ordnance Description	Test Series	Comment
Projectile, continued	B632	M49A4 60-mm High Explosive Cartridge (projectile only)	EO 3	20+ data points
	B642	M720 60-mm High Explosive Cartridge (projectile only)	EO 6	
	B643	M888 60-mm High Explosive Cartridge (projectile only)	EO 11	
	C995	M136 AT4 Recoilless Rifle, 84-mm Cartridge (projectile only)	EO 3	
	H557	M72A3 66-mm High Explosive Antitank Rocket (projectile only)	EO 1	
	H708	M73 35-mm Subcaliber Practice Rocket	DPG VIII	
	None	M720 60-mm Mortar HE Cartridge with PAX-21 Charge (projectile only)	EO 8	
	PJ02	FIM-92A Stinger-Basic Guided Missile (projectile only)	EO 6	
Propellant	B627	M83A3 60-mm Illuminating Cartridge (propelling charge only)	FP 10	20+ data points
	B642	M720 60-mm High Explosive Cartridge (propelling charge only)	FP 4	
	B645	M766 60-mm Short Range Practice Mortar Cartridge (propelling charge only)	FP 10	
	C226	M301A3 81-mm Illuminating Cartridge (propelling charge only)	FP 4	
	C379	M934 120-mm High Explosive Cartridge (Zone 1 - propelling charge only)	FP 8	
	C511	M490 105-mm Target Practice Tracer Cartridge (propelling charge only)	FP 5	
	C784	M831 120-mm Target Practice Tracer Cartridge (propelling charge only)	FP 5	
	C785	M865 120-mm Target Practice Discarding Sabot Tracer Cartridge (propelling charge only)	FP 5	
	C868	M821 81-mm High Explosive Cartridge (propelling charge only)	FP 4	
	C876	M880 81-mm Target Practice Short Range Cartridge (propelling charge only)	FP 4	
	CA09	M931 120-mm Full Range Practice Cartridge (Zone 1 - propelling charge only)	FP 8	

TABLE 9 (cont.)

Category	DODIC	Ordnance Description	Test Series	Comment
Propellant, continued	CA09	M931 120-mm Full Range Practice Cartridge (Zone 4 - propelling charge)	FP 8	20+ data points
	D533	M119A2 155-mm Propelling Charge (Zone 7)	FP 5	
	D540	M3 155-mm Propelling Charge (Zone 3, M199 Cannon)	FP 1	
	D540	M3 155-mm Propelling Charge (Zone 3, M199 Cannon)	FP 5	
	D540	M3 155-mm Propelling Charge (Zone 3, M284 Cannon)	FP 1	
	D540	M3 155-mm Propelling Charge (Zone 5, M199 Cannon)	FP 1	
	D540	M3A1 155-mm Propelling Charge (Zone 3, M199 Cannon)	FP 1	
	D540	M3A1 155-mm Propelling Charge (Zone 3, M284 Cannon)	FP 1	
	D541	M4A2 155-mm Propelling Charge (Zone 7)	FP 5	
	M174	.50 Caliber Blank Cartridge (Electrically Initiated)	EO 10	
	M842 ^a	M1 Electric Flash Squib	Unclear	
	MD73	M796 Impulse Cartridge	EO 11	
	MN60	M79 Electric Match Igniter	EO 9	
	PJ02	FIM-92A Stinger-Basic Guided Missile (launch motor)	EO 5	
PJ02	FIM-92A Stinger-Basic Guided Missile (flight motor)	FP 7		
Pyrotechnic	H975 ^a	2.75-inch Rocket, MK66 Mod 3 Motor with M274 Smoke Signature Practice Warhead	Unclear	20+ data points
	L366	M74A1 Projectile Air Burst Simulator	DPG IV-B	
	L495	M49A1 Surface Trip Flare	DPG II	
	L508	M72 Red Railroad Warning Fusee	DPG VI	
	L592	TOW Blast Simulator	DPG V-A	
	L594	M115A2 Ground Burst Simulator	DPG I	
	L595 ^a	M9 Liquid Projectile Air Burst Simulator	EO 12	
	L596	M110 Flash Artillery Simulator	DPG I	
L598	M117 Flash Booby Trap Simulator	DPG I		

TABLE 9 (cont.)

Category	DODIC	Ordnance Description	Test Series	Comment
Pyrotechnic, continued	L599	M118 Illuminating Booby Trap Simulator	DPG II	20+ data points
	L600	M119 Whistling Booby Trap Simulator	DPG II	
	L601	M116A1 Hand Grenade Simulator	DPG I	
	L602	M21 Artillery Flash Simulator	DPG IV-B	
	L709	M25 Target Hit Simulator	EO 2	
	L709	XM25 Target Hit Simulator	DPG V-B	
	L720	M26 Target Kill Simulator	EO 6	
	M327	Firing Device Coupling Base	EO 11	
	M448	M2A1 8-second Delay Percussion Detonator	EO 10	
	M626	M1 Pressure Type Demolition Firing Device	EO 9	
	M627 ^a	M5 Pressure Release Igniter	Unclear	
	M630	M1 Pull Type Demolition Firing Device	DPG V-A	
	M630	M1 Pull Type Demolition Firing Device	EO 9	
	M670	M700 Time Blasting Fuse	EO 11	
M766	M60 Time Blasting Fuse Igniter	EO 9		
ML03	M142 Multipurpose Demolition Firing Device	EO 10		
Rocket/Missile	H459	2.75-inch Rocket, MK40 Mod 3 Motor with Flechette Warhead (propelling rocket only)	FP 7	10+ data points
	H557	M72A3 66-mm High Explosive Antitank Rocket (propelling rocket only)	FP 4	
	H557	M72A3 66-mm High Explosive Antitank Rocket (propelling rocket only)	FP 7	
	H708	M73 35-mm Subcaliber Practice Rocket (motor only)	FP 9	
	H974	2.75-inch Rocket, MK66 Mod 3 Motor with M267 Practice Warhead (propelling rocket only)	FP 7	
Small Arm-FP	A010	M220 10 Gage Blank/Subcaliber Salute Cartridge	FP 9	20+ data points
	A011	12 Gage #00 Shot Cartridge	FP 9	
	A017	12 Gage #9 Shot Cartridge	FP 10	
	A059	M855 5.56-mm Ball Cartridge (fired from the M16A1 Rifle)	FP 3	

TABLE 9 (cont.)

Category	DODIC	Ordnance Description	Test Series	Comment
Small Arm-FP, continued	A059	M855 5.56-mm Ball Cartridge (fired from the M16A2 Rifle)	FP 3	20+ data points
	A059	M855 5.56-mm Ball Cartridge (No-Lead)	FP 4	
	A063	M856 5.56-mm Tracer Cartridge	FP 3	
	A065	M862 5.56-mm Practice Ball Cartridge	FP 3	
	A066	M193 5.56-mm Ball Cartridge	FP 6	
	A068	M196 5.56-mm Tracer Cartridge	FP 6	
	A080	M200 5.56-mm Blank Cartridge	FP 3	
	A086	.22 Caliber Long Rifle Ball Cartridge	FP 4	
	A106	.22 Caliber Standard Velocity Long Rifle Ball Cartridge	FP 4	
	A111	M82 7.62-mm Blank Cartridge	FP 3	
	A131	M62 7.62-mm Tracer Cartridge	FP 6	
	A136	M118 7.62-mm Ball Match Cartridge	FP 6	
	A143	M80 7.62-mm Ball Cartridge	FP 3	
	A171	M852 7.62-mm Ball Match Cartridge	FP 6	
	A182	M1 .30 Caliber Ball Cartridge	FP 6	
	A212	M2 .30 Caliber Ball Cartridge	FP 6	
	A218	M25 .30 Caliber Tracer Cartridge	FP 9	
	A247	M72 .30 Caliber Ball Match Cartridge	FP 6	
	A363	M882 9-mm Ball Cartridge	FP 3	
	A365	M181A1 14.5-mm Artillery Training Cartridge	DPG V-A	
	A366 ^a	M182 14.5-mm Artillery Training Cartridge	Unclear	
	A400	M41 .38 Caliber Special Ball Cartridge	FP 9	
	A403	.38 Caliber Special Blank Cartridge	FP 9	
	A475	M1911 .45 Caliber Ball Cartridge	FP 3	
	A518	M903 .50 Caliber SLAP Cartridge	FP 9	
	A518	M962 .50 Caliber SLAP-T Cartridge	FP 10	
	A525	M2 .50 Caliber Armor Piercing Cartridge	FP 8	
	A557	M17 .50 Caliber Tracer Cartridge	FP 3	
	A557	M33 .50 Caliber Ball Cartridge	FP 3	
	A598	M1A1 .50 Caliber Blank Cartridge	FP 3	

TABLE 9 (cont.)

Category	DODIC	Ordnance Description	Test Series	Comment
Smoke	C870	M819 81-mm Red Phosphorus Smoke Cartridge	DPG VII	20+ data points
	G815	L8A3 Red Phosphorus Screening Smoke Launcher Grenade (UK)	DPG VII	
	G930	AN-M8 Hexachloroethane (HC) Smoke Hand Grenade	DPG V-A	
	G940	M18 Green Smoke Hand Grenade	DPG III	
	G945	M18 Yellow Smoke Hand Grenade	DPG III	
	G950	M18 Red Smoke Hand Grenade	DPG III	
	G950	M18 Red Smoke Hand Grenade (new formulation)	DPG V-A	
	G955	M18 Violet Smoke Hand Grenade	DPG III	
	G955	M18 Violet Smoke Hand Grenade (new formulation)	DPG V-A	
	K866	ABC-M5 30-pound HC Smoke Pot	DPG VII	
K867	M4A2 Floating Type HC Smoke Pot	DPG VII		

^a Although testing may have been completed, emission factors for this ordnance have not yet been analyzed for inclusion in AP-42; therefore, these data were not included in the data correlation.

1. The relative standard deviation, defined as the standard deviation divided by the mean, was calculated for each compound within each ordnance category.
2. If the relative standard deviation was less than 1.0, the evaluated emission factors were considered to demonstrate good correlation. As such, the rating for these emission factors could be elevated to a maximum of an A, depending on the number of data points within the evaluated ordnance category.
3. If the relative standard deviation was between 1.0 and 2.0, the evaluated emission factors were considered to demonstrate fair correlation. As such, the rating for these emission factors could be elevated to a maximum of a B, depending on the number of data points within the evaluated ordnance category.
4. If the relative standard deviation was greater than 2.0, the evaluated emission factors were considered to demonstrate poor correlation. As such, the emission factor rating could not be elevated, regardless of the amount of data available.

A poor correlation between emission factors was not necessarily construed as being indicative of poor test data. Rather, a poor correlation was more likely to indicate that the ordnance included in the category were not as similar in nature as anticipated by USAEC when the ordnance categories were defined.

In addition to assessing the data correlation, an assessment was made of the number of test data points available within each of the 17 ordnance categories. Because each ordnance test consisted of two test data points (i.e., two test runs per ordnance or two independent sampling trains were used during an ordnance test), the number of test data points available in each of the ordnance categories varied from 2 to 68. Based upon information provided by EPA,¹⁰ the following assumptions were used to assess whether

sufficient category-specific test data points were available to justify elevating the emission factor ratings based on ordnance-specific data only:

1. If 20 or more data points were available, the emission factor rating could be elevated to a maximum of an A, provided that the data also demonstrated a good correlation.
2. If at least 10 but less than 20 data points were available, the emission factor rating could be elevated to a maximum of a B, provided that the data also demonstrated a good correlation.
3. If less than 10 data points were available, the emission factor rating could not be elevated, regardless of the data correlation.
4. If the data demonstrated a fair correlation and 20 or more data points were available, the emission factor rating could be elevated to a maximum of a B.
5. If the data demonstrated a fair correlation and at least 10 but less than 20 data points were available, the emission factor rating could be elevated to a maximum of a C.

Using the criteria specified above, the emission factor ratings assigned to ordnance in each of the 17 ordnance categories were reevaluated. This evaluation indicated that some of the emission factor ratings associated with ordnance included in ten categories could be elevated from a C or D rating to an A or B rating. These ten categories are:

1. Demolition
2. Fuse
3. Illumination
4. Medium – Firing Point
5. Projectile
6. Propellant
7. Pyrotechnic
8. Rocket/Missile
9. Small Arm – Firing Point
10. Smoke

DRAFT

A final assessment was made as to the emission factor rating assigned based on ordnance-specific test data only. If the original emission factor data rating assigned was a C, then the emission factor rating was elevated to an A or B, as appropriate, based upon the data for the whole ordnance category. If the original emission factor data rating assigned was a D, then the emission factor rating was elevated to a B or C, as appropriate, based upon the data for the whole ordnance category. The analysis is documented in an Excel spreadsheet that is located on the EPA website at: <http://www.epa.gov/ttn/chief/ap42/index.html>.

Within the current test series:

- DODIC B643 was included in the Projectile category, which includes more than 20 data points
- DODICs M327 and M670 were included in the Pyrotechnics category, which includes more than 20 data points
- DODIC MD73 was included in the Propellant category, which includes more than 20 data points
- DODICs ML05, MM50, and MN07 were included in the Demolition category, which includes more than 20 test data points
- DODIC N278 was included in the Fuse category, which includes more than 10 data points

As a result, some emission factor ratings associated with each of these ordnance were elevated. The emission factor ratings assigned are presented in Appendix A.

6.0 REFERENCES

1. *Report No. 11 for the Exploding Ordnance Emission Study Phase II*, Military Environmental Technology Demonstration Center, U.S. Army Aberdeen Test Center, Aberdeen Proving Ground, MD, October 2007.
2. *Detailed Test Plan No. 11 for the Exploding Ordnance Emission Study Phase II*, Military Environmental Technology Demonstration Center, U.S. Army Aberdeen Test Center, Aberdeen Proving Ground, MD, August 2004.
3. Supporting information including Excel spreadsheets, analytical results, field notes, and case summaries supplied upon request by the Applied Science Test Team – Chemistry Unit, U.S. Army Aberdeen Test Center, Aberdeen Proving Ground, MD, April 2008.
4. *Munitions Items Disposition Action System (MIDAS)* website, <https://midas.dac.army.mil/>, U.S. Army Defense Ammunition Center, McAlester, OK, August 2008.
5. *Procedures for Preparing Emission Factor Documents*, EPA-454/R-95-015, U.S. Environmental Protection Agency, Research Triangle Park, NC, November 1997.
6. *Draft Detailed Procedures for Preparing Emission Factors*, U.S. Environmental Protection Agency, Research Triangle Park, NC, June 2006.
7. *Compendium of Methods for the Determination of Toxic Organic Compounds in Ambient Air*, Second Supplement, EPA/600/4-89/018, U.S. Environmental Protection Agency, Research Triangle Park, NC, June 1988.
8. *Test Methods for Evaluating Solid Waste, Physical/Chemical Methods (SW-846)*, U.S. Environmental Protection Agency, <http://www.epa.gov/epaoswer/hazwaste/test/sw846.htm>.
9. *National Institute for Occupational Safety and Health (NIOSH) Manual of Analytical Methods (NMAM), Fourth Edition*, National Institute for Occupational Safety and Health, Cincinnati, OH.
10. Information regarding the relationship between emission factor data correlation, the number of data points available, and the resulting emission factor rating assigned supplied upon request by Mr. Ron Myers, Measurement Policy Group, Office of Air Quality Planning and Standards, U.S. Environmental Protection Agency, Research Triangle Park, NC, June 2006.

This page left blank intentionally.

DRAFT

APPENDIX A

**COMPOUNDS ANALYZED AND EMISSION FACTORS DEVELOPED FOR ORDNANCE
INCLUDED IN EXPLODING ORDNANCE EMISSION STUDY PHASE II SERIES 11 TESTING
AT ABERDEEN PROVING GROUND, MARYLAND**

This page left blank intentionally.

TABLE A1 COMPOUNDS ANALYZED AND EMISSION FACTORS DEVELOPED FOR DODIC B643, M888 60-MM HIGH EXPLOSIVE CARTRIDGE (PROJECTILE ONLY)

CASRN ^a	Compound	Emission Factor ^{b,c}		Minimum Detection Level mg/m ^{3,e}
		lb per item	lb per lb NEW ^d	
Carbon Dioxide, Criteria Pollutants, Methane, and Total Suspended Particulate				
124-38-9	Carbon dioxide ^f	3.6 E-01	4.4 E-01	--
630-08-0	Carbon monoxide ^h	3.1 E-02	3.8 E-02	--
7439-92-1	Lead ^f	6.1 E-04	7.4 E-04	--
74-82-8	Methane ^h	6.8 E-04	8.3 E-04	--
--	Oxides of nitrogen ^h	1.6 E-02	2.0 E-02	--
--	PM-2.5 ^f	2.5 E-02	3.1 E-02	--
--	PM-10 ^f	4.9 E-02	6.0 E-02	--
7446-09-5	Sulfur dioxide ^j	6.3 E-05	7.7 E-05	--
12789-66-1	Total suspended particulate ^f	5.6 E-02	6.8 E-02	--
Hazardous Air Pollutants and Toxic Chemicals				
83-32-9	Acenaphthene ^g	4.3 E-08	5.2 E-08	--
208-96-8	Acenaphthylene ^f	1.2 E-07	1.4 E-07	--
75-07-0	Acetaldehyde ^g	8.8 E-06	1.1 E-05	--
75-05-8	Acetonitrile ^g	1.1 E-04	1.4 E-04	--
107-02-8	Acrolein	ND	ND	7.4 E-03
107-13-1	Acrylonitrile ^g	9.0 E-06	1.1 E-05	--
107-05-1	Allyl chloride	ND	ND	3.2 E-03
7429-90-5	Aluminum ^h	1.3 E-03	1.6 E-03	--
7664-41-7	Ammonia ⁱ	2.1 E-03	2.6 E-03	--
120-12-7	Anthracene	3.7 E-08	4.6 E-08	--
7440-36-0	Antimony	5.0 E-05	6.1 E-05	--
7440-38-2	Arsenic ⁱ	2.5 E-06	3.1 E-06	--
7440-39-3	Barium	1.1 E-04	1.3 E-04	--
71-43-2	Benzene ⁱ	1.3 E-05	1.6 E-05	--
56-55-3	Benzo[a]anthracene ^g	ND	ND	1.7 E-04
205-99-2	Benzo[b]fluoranthene ^g	ND	ND	1.7 E-04
207-08-9	Benzo[k]fluoranthene	ND	ND	1.7 E-04
191-24-2	Benzo[g,h,i]perylene ^g	ND	ND	1.7 E-04
50-32-8	Benzo[a]pyrene ^g	ND	ND	1.7 E-04
192-97-2	Benzo[e]pyrene ^g	ND	ND	1.7 E-04
7440-41-7	Beryllium	ND	ND	5.0 E-04
75-25-2	Bromoform	ND	ND	1.1 E-02
74-83-9	Bromomethane	ND	ND	3.9 E-03

TABLE A1 (cont.)

CASRN ^a	Compound	Emission Factor ^{b,c}		Minimum Detection Level mg/m ^{3,e}
		lb per item	lb per lb NEW ^d	
101-55-3	4-Bromophenylphenylether	ND	ND	1.7 E-02
106-99-0	1,3-Butadiene	ND	ND	4.5 E-02
75-65-0	t-Butyl alcohol	ND	ND	3.1 E-03
85-68-7	Butylbenzylphthalate	ND	ND	1.7 E-02
123-72-8	Butyraldehyde	ND	ND	7.4 E-03
7440-43-9	Cadmium ⁱ	1.6 E-06	2.0 E-06	--
75-15-0	Carbon disulfide	ND	ND	3.2 E-03
56-23-5	Carbon tetrachloride	ND	ND	6.4 E-03
106-47-8	4-Chloroaniline	ND	ND	1.7 E-02
108-90-7	Chlorobenzene	ND	ND	4.7 E-03
75-45-6	Chlorodifluoromethane	ND	ND	3.6 E-03
75-00-3	Chloroethane	ND	ND	2.7 E-03
111-91-1	bis(2-Chloroethoxy)methane	ND	ND	1.7 E-02
111-44-4	bis(2-Chloroethyl)ether	ND	ND	1.7 E-02
67-66-3	Chloroform	ND	ND	5.0 E-03
74-87-3	Chloromethane	ND	ND	2.1 E-03
91-58-7	2-Chloronaphthalene	ND	ND	1.7 E-02
95-57-8	2-Chlorophenol	ND	ND	1.7 E-02
7005-72-3	4-Chlorophenyl-phenylether	ND	ND	1.7 E-02
7440-47-3	Chromium	1.8 E-05	2.2 E-05	--
18540-29-9	Hexavalent chromium	9.1 E-07	1.1 E-06	--
218-01-9	Chrysene ^g	2.9 E-08	3.6 E-08	--
7440-48-4	Cobalt ⁱ	1.4 E-06	1.7 E-06	--
7440-50-8	Copper ^g	4.5 E-04	5.5 E-04	--
106-44-5	p-Cresol	ND	ND	1.7 E-02
4170-30-3	Crotonaldehyde	ND	ND	7.4 E-03
98-82-8	Cumene	ND	ND	5.0 E-03
57-12-5	Particulate cyanide	ND	ND	1.3 E-02
53-70-3	Dibenz[a,h]anthracene	ND	ND	1.7 E-04
132-64-9	Dibenzofuran	ND	ND	1.7 E-02
106-93-4	1,2-Dibromoethane	ND	ND	7.8 E-03
84-74-2	Dibutyl phthalate ^g	2.2 E-06	2.7 E-06	--
95-50-1	1,2-Dichlorobenzene	ND	ND	6.1 E-03
541-73-1	1,3-Dichlorobenzene	ND	ND	6.1 E-03
106-46-7	1,4-Dichlorobenzene	ND	ND	6.1 E-03

TABLE A1 (cont.)

CASRN ^a	Compound	Emission Factor ^{b,c}		Minimum Detection Level mg/m ^{3,e}
		lb per item	lb per lb NEW ^d	
75-27-4	Dichlorobromomethane	ND	ND	6.8 E-03
75-71-8	Dichlorodifluoromethane	ND	ND	5.0 E-03
75-34-3	1,1-Dichloroethane	ND	ND	4.1 E-03
107-06-2	1,2-Dichloroethane	ND	ND	4.1 E-03
75-43-4	Dichlorofluoromethane	ND	ND	4.3 E-03
120-83-2	2,4-Dichlorophenol	ND	ND	1.7 E-02
78-87-5	1,2-Dichloropropane	ND	ND	4.7 E-03
10061-02-6	trans-1,3-Dichloropropene	ND	ND	4.6 E-03
76-14-2	Dichlorotetrafluoroethane	ND	ND	7.1 E-03
105-67-9	2,4-Dimethylphenol	ND	ND	1.7 E-02
131-11-3	Dimethyl phthalate	ND	ND	1.7 E-02
99-65-0	1,3-Dinitrobenzene ^j	3.2 E-07	3.9 E-07	--
534-52-1	4,6-Dinitro-2-methylphenol	ND	ND	1.7 E-02
51-28-5	2,4-Dinitrophenol	ND	ND	1.7 E-02
121-14-2	2,4-Dinitrotoluene	1.0 E-05	1.3 E-05	--
606-20-2	2,6-Dinitrotoluene	ND	ND	1.7 E-02
123-91-1	1,4-Dioxane	ND	ND	3.7 E-03
--	Total dioxin/furan compounds	6.4 E-12	7.8 E-12	--
140-88-5	Ethyl acrylate	ND	ND	4.2 E-03
100-41-4	Ethylbenzene	ND	ND	4.4 E-03
74-85-1	Ethylene ^h	4.0 E-05	4.9 E-05	--
206-44-0	Fluoranthene ^f	1.2 E-07	1.5 E-07	--
86-73-7	Fluorene ^g	6.4 E-08	7.8 E-08	--
50-00-0	Formaldehyde	1.3 E-04	1.6 E-04	--
76-13-1	Freon 113	ND	ND	7.8 E-03
35822-46-9	1,2,3,4,6,7,8-Heptachlorodibenzo-p-dioxin	1.8 E-12	2.2 E-12	--
67562-39-4	1,2,3,4,6,7,8-Heptachlorodibenzofuran ^j	0	0	--
55673-89-7	1,2,3,4,7,8,9-Heptachlorodibenzofuran	ND	ND	3.4 E-09
118-74-1	Hexachlorobenzene	ND	ND	1.7 E-02
87-68-3	Hexachlorobutadiene	ND	ND	1.1 E-02
77-47-4	Hexachlorocyclopentadiene	ND	ND	1.7 E-02
39227-28-6	1,2,3,4,7,8-Hexachlorodibenzo-p-dioxin	ND	ND	3.5 E-09

TABLE A1 (cont.)

CASRN ^a	Compound	Emission Factor ^{b,c}		Minimum Detection Level mg/m ^{3,e}
		lb per item	lb per lb NEW ^d	
57653-85-7	1,2,3,6,7,8-Hexachlorodibenzo-p-dioxin	6.6 E-13	8.0 E-13	--
19408-74-3	1,2,3,7,8,9-Hexachlorodibenzo-p-dioxin	6.4 E-13	7.8 E-13	--
57117-44-9	1,2,3,6,7,8-Hexachlorodibenzofuran	ND	ND	2.2 E-09
72918-21-9	1,2,3,7,8,9-Hexachlorodibenzofuran	ND	ND	2.4 E-09
60851-34-5	2,3,4,6,7,8-Hexachlorodibenzofuran	ND	ND	2.4 E-09
67-72-1	Hexachloroethane	ND	ND	9.8 E-03
110-54-3	Hexane	ND	ND	7.2 E-02
7647-01-0	Hydrochloric acid	ND	ND	5.8 E-02
74-90-8	Hydrogen cyanide ^g	7.2 E-04	8.7 E-04	--
7664-39-3	Hydrogen fluoride	ND	ND	6.3 E-02
193-39-5	Indeno[1,2,3-cd]pyrene	ND	ND	1.7 E-04
78-59-1	Isophorone	ND	ND	1.7 E-02
7439-92-1	Lead ^f	6.1 E-04	7.4 E-04	--
7439-96-5	Manganese ^h	1.1 E-04	1.3 E-04	--
96-33-3	Methyl acrylate	ND	ND	3.6 E-03
74-95-3	Methylene bromide	ND	ND	7.2 E-03
75-09-2	Methylene chloride	9.7 E-09	1.2 E-08	--
74-88-4	Methyl iodide	ND	ND	5.9 E-03
108-10-1	Methyl isobutyl ketone	ND	ND	4.2 E-03
80-62-6	Methyl methacrylate	ND	ND	4.2 E-03
91-57-6	2-Methylnaphthalene	ND	ND	1.7 E-02
95-48-7	2-Methylphenol	ND	ND	1.7 E-02
1634-04-4	Methyl tert-butyl ether	ND	ND	3.7 E-03
91-20-3	Naphthalene ^f	8.5 E-07	1.0 E-06	--
7440-02-0	Nickel ⁱ	2.3 E-05	2.7 E-05	--
7697-37-2	Nitric acid ^j	5.7 E-04	6.9 E-04	--
100-01-6	4-Nitroaniline	ND	ND	1.7 E-02
98-95-3	Nitrobenzene	ND	ND	6.5 E-04
55-63-0	Nitroglycerin ^j	3.7 E-06	4.5 E-06	--
88-75-5	2-Nitrophenol	ND	ND	1.7 E-02
100-02-7	4-Nitrophenol	ND	ND	1.7 E-02
62-75-9	n-Nitrosodimethylamine	ND	ND	1.7 E-02
86-30-6	n-Nitrosodiphenylamine	ND	ND	1.7 E-02
621-64-7	n-Nitroso-di-n-propylamine	ND	ND	1.7 E-02

TABLE A1 (cont.)

CASRN ^a	Compound	Emission Factor ^{b,c}		Minimum Detection Level mg/m ^{3,e}
		lb per item	lb per lb NEW ^d	
3268-87-9	1,2,3,4,6,7,8,9-Octachlorodibenzo-p-dioxin	2.9 E-12	3.5 E-12	--
40321-76-4	1,2,3,7,8-Pentachlorodibenzo-p-dioxin	ND	ND	3.8 E-09
57117-41-6	1,2,3,7,8-Pentachlorodibenzofuran	ND	ND	3.1 E-09
57117-31-4	2,3,4,7,8-Pentachlorodibenzofuran	ND	ND	2.4 E-09
87-86-5	Pentachlorophenol	ND	ND	1.7 E-02
85-01-8	Phenanthrene ^f	3.7 E-07	4.6 E-07	--
108-95-2	Phenol	ND	ND	1.7 E-02
123-38-6	Propionaldehyde	ND	ND	7.4 E-03
115-07-1	Propylene ⁱ	8.5 E-06	1.0 E-05	--
129-00-0	Pyrene ^f	2.5 E-07	3.1 E-07	--
7782-49-2	Selenium	ND	ND	5.0 E-04
7440-22-4	Silver ^j	4.8 E-07	5.8 E-07	--
100-42-5	Styrene ^g	ND	ND	4.3 E-03
7664-93-9	Sulfuric acid	ND	ND	2.1 E-01
1746-01-6	2,3,7,8-Tetrachlorodibenzo-p-dioxin	ND	ND	1.4 E-09
51207-31-9	2,3,7,8-Tetrachlorodibenzofuran ^g	4.6 E-13	5.6 E-13	--
630-20-6	1,1,1,2-Tetrachloroethane	ND	ND	7.0 E-03
79-34-5	1,1,2,2-Tetrachloroethane	ND	ND	7.0 E-03
127-18-4	Tetrachloroethylene	ND	ND	6.9 E-03
7440-28-0	Thallium	1.5 E-07	1.9 E-07	--
108-88-3	Toluene ⁱ	3.7 E-06	4.5 E-06	--
120-82-1	1,2,4-Trichlorobenzene	ND	ND	7.5 E-03
71-55-6	1,1,1-Trichloroethane	ND	ND	5.5 E-03
79-00-5	1,1,2-Trichloroethane	ND	ND	5.5 E-03
75-69-4	Trichlorofluoromethane	ND	ND	5.7 E-03
95-95-4	2,4,5-Trichlorophenol	ND	ND	1.7 E-02
88-06-2	2,4,6-Trichlorophenol	ND	ND	1.7 E-02
96-18-4	1,2,3-Trichloropropane	ND	ND	6.1 E-03
95-63-6	1,2,4-Trimethylbenzene	ND	ND	5.0 E-03
540-84-1	2,2,4-Trimethylpentane	ND	ND	4.8 E-03
7440-62-2	Vanadium ^j	2.6 E-06	3.2 E-06	--
108-05-4	Vinyl acetate	ND	ND	3.6 E-03
75-01-4	Vinyl chloride	ND	ND	2.6 E-03

TABLE A1 (cont.)

CASRN ^a	Compound	Emission Factor ^{b,c}		Minimum Detection Level mg/m ^{3,e}
		lb per item	lb per lb NEW ^d	
75-35-4	Vinylidene chloride	ND	ND	4.0 E-03
106-42-3, 108-38-3	m-Xylene, p-Xylene	ND	ND	4.4 E-03
95-47-6	o-Xylene	ND	ND	4.4 E-03
7440-66-6	Zinc ^g	1.1 E-02	1.4 E-02	--
Other Pollutants				
67-64-1	Acetone ^g	9.0 E-06	1.1 E-05	--
74-86-2	Acetylene ^g	4.9 E-05	6.0 E-05	--
35572-78-2	2-Amino-4,6-dinitrotoluene	ND	ND	8.1 E-04
19406-51-0	4-Amino-2,6-dinitrotoluene	ND	ND	8.1 E-04
100-52-7	Benzaldehyde	ND	ND	7.4 E-03
100-51-6	Benzyl alcohol	ND	ND	1.7 E-02
108-86-1	Bromobenzene	ND	ND	6.5 E-03
106-97-8	Butane	ND	ND	5.3 E-02
106-98-9	1-Butene	ND	ND	4.7 E-02
590-18-1	cis-Butene	ND	ND	4.7 E-02
624-64-6	trans-Butene	ND	ND	4.7 E-02
107-00-6	1-Butyne	ND	ND	4.5 E-02
503-17-3	2-Butyne	ND	ND	4.5 E-02
7440-70-2	Calcium ^g	5.8 E-05	7.1 E-05	--
7440-44-0	Elemental carbon ⁱ	7.1 E-03	8.6 E-03	--
7440-44-0	Organic carbon ^g	1.8 E-03	2.2 E-03	--
7440-44-0	Total carbon ^g	8.9 E-03	1.1 E-02	--
39638-32-9	bis(2-Chloroisopropyl)ether	ND	ND	1.7 E-02
59-50-7	4-Chloro-3-methylphenol	ND	ND	1.7 E-02
124-48-1	Dibromochloromethane	ND	ND	8.7 E-03
156-59-2	cis-1,2-Dichloroethene	ND	ND	4.0 E-03
156-60-5	trans-1,2-Dichloroethene	ND	ND	4.0 E-03
10061-01-5	cis-1,3-Dichloropropene	ND	ND	4.6 E-03
84-66-2	Diethylphthalate	ND	ND	1.7 E-02
5779-94-2	2,5-Dimethylbenzaldehyde	ND	ND	7.4 E-03
117-84-0	Di-n-octylphthalate	ND	ND	1.7 E-02
74-84-0	Ethane ⁱ	2.2 E-05	2.7 E-05	--
141-78-6	Ethyl acetate	ND	ND	3.7 E-03
97-63-2	Ethyl methacrylate	ND	ND	4.7 E-03

TABLE A1 (cont.)

CASRN ^a	Compound	Emission Factor ^{b,c}		Minimum Detection Level mg/m ^{3,e}
		lb per item	lb per lb NEW ^d	
622-96-8	4-Ethyltoluene	ND	ND	5.0 E-03
142-82-5	n-Heptane	ND	ND	4.2 E-03
66-25-1	Hexaldehyde	ND	ND	7.4 E-03
591-78-6	2-Hexanone	ND	ND	4.2 E-03
2691-41-0	HMX	2.9 E-04	3.5 E-04	--
10035-10-6	Hydrogen bromide	ND	ND	5.2 E-02
75-28-5	Isobutane	ND	ND	4.8 E-02
115-11-7	Isobutylene	ND	ND	4.7 E-02
590-86-3	Isovaleraldehyde	ND	ND	7.4 E-03
7439-95-4	Magnesium ^g	4.6 E-05	5.6 E-05	--
78-93-3	Methyl ethyl ketone ^j	3.3 E-07	4.0 E-07	--
98-83-9	alpha-Methylstyrene	ND	ND	4.9 E-03
479-45-8	Tetryl	4.9 E-05	6.0 E-05	--
88-74-7	2-Nitroaniline	ND	ND	1.7 E-02
99-09-2	3-Nitroaniline	ND	ND	1.7 E-02
88-72-2	2-Nitrotoluene	ND	ND	6.5 E-04
99-08-1	3-Nitrotoluene	ND	ND	6.5 E-04
99-99-0	4-Nitrotoluene	ND	ND	8.1 E-04
111-65-9	Octane	ND	ND	4.8 E-03
109-66-0	Pentane	ND	ND	6.0 E-02
14797-73-0	Perchlorate	ND	ND	7.0 E-02
7664-38-2	Phosphoric acid	ND	ND	5.6 E-02
74-98-6	Propane	ND	ND	3.7 E-02
1070-71-9	Propiolonitrile ^k	3.1 E-07	3.7 E-07	--
74-99-7	Propyne	ND	ND	3.3 E-02
121-82-4	RDX	2.8 E-03	3.4 E-03	--
1334-78-7	o,m,p-Tolualdehyde	ND	ND	7.4 E-03
25323-89-1	Trichloroethene	ND	ND	5.0 E-03
108-67-8	1,3,5-Trimethylbenzene	ND	ND	5.0 E-03
99-35-4	1,3,5-Trinitrobenzene ^j	2.1 E-05	2.5 E-05	--
118-96-7	2,4,6-Trinitrotoluene ^j	5.6 E-03	6.9 E-03	--
110-62-3	Valeraldehyde	ND	ND	7.4 E-03

TABLE A1 (cont.)

- ^a CASRN = Chemical Abstracts Service Registry Number.
- ^b ND = nondetected.
- ^c Emission factors rated C unless otherwise noted.
- ^d NEW = Net explosive weight. The NEW for this compound is 8.21 E-01 pounds per item.
- ^e Data provided for compounds that were not detected.
- ^f Emission factor rated A because of correlation with emission factors for similar ordnance and number of test data points.
- ^g Emission factor rated B because of correlation with emission factors for similar ordnance and number of test data points.
- ^h Emission factor based upon C-rated test data, but because of correlation with emission factors for similar ordnance and number of data points the factor was upgraded from a D rating to a B rating.
- ⁱ Emission factor based upon C-rated test data, but because of correlation with emission factors for similar ordnance and number of data points the factor was upgraded from a D rating to a C rating.
- ^j Emission factor rated D because the factor is based upon C-rated test data.
- ^k Emission factor rated D because the factor is for a tentatively identified compound.

TABLE A2 COMPOUNDS ANALYZED AND EMISSION FACTORS DEVELOPED FOR
DODIC M327, FIRING DEVICE COUPLING BASE

CASRN ^a	Compound	Emission Factor ^{b,c}		Minimum Detection Level mg/m ^{3,e}
		lb per item	lb per lb NEW ^d	
Carbon Dioxide, Criteria Pollutants, Methane, and Total Suspended Particulate				
124-38-9	Carbon dioxide ^f	1.1 E-05	1.9 E-01	--
630-08-0	Carbon monoxide ^g	5.5 E-06	9.6 E-02	--
7439-92-1	Lead ^f	6.7 E-06	1.2 E-01	--
74-82-8	Methane	0	0	--
--	Oxides of nitrogen ^f	7.0 E-07	1.2 E-02	--
--	PM-2.5 ^g	1.5 E-05	2.6 E-01	--
--	PM-10 ^f	1.7 E-05	3.0 E-01	--
7446-09-5	Sulfur dioxide ^h	4.2 E-07	7.4 E-03	--
12789-66-1	Total suspended particulate ^g	1.7 E-05	3.0 E-01	--
Hazardous Air Pollutants and Toxic Chemicals				
83-32-9	Acenaphthene	ND	ND	1.7 E-02
208-96-8	Acenaphthylene	ND	ND	1.7 E-02
75-07-0	Acetaldehyde	2.7 E-09	4.8 E-05	--
75-05-8	Acetonitrile	ND	ND	1.7 E-03
107-02-8	Acrolein ^f	ND	ND	7.3 E-03
107-13-1	Acrylonitrile ^f	ND	ND	2.2 E-03
107-05-1	Allyl chloride	ND	ND	3.2 E-03
7429-90-5	Aluminum ^f	9.4 E-07	1.6 E-02	--
7664-41-7	Ammonia	ND	ND	3.5 E-01
120-12-7	Anthracene	ND	ND	1.7 E-05
7440-36-0	Antimony ^f	3.1 E-06	5.5 E-02	--
7440-38-2	Arsenic	7.8 E-10	1.4 E-05	--
7440-39-3	Barium ^f	1.8 E-06	3.2 E-02	--
71-43-2	Benzene	ND	ND	3.2 E-03
56-55-3	Benzo[a]anthracene	ND	ND	1.7 E-05
205-99-2	Benzo[b]fluoranthene	ND	ND	1.7 E-05
207-08-9	Benzo[k]fluoranthene	ND	ND	1.7 E-05
191-24-2	Benzo[g,h,i]perylene	ND	ND	1.7 E-05
50-32-8	Benzo[a]pyrene	ND	ND	1.7 E-05
192-97-2	Benzo[e]pyrene	ND	ND	1.7 E-05
7440-41-7	Beryllium	ND	ND	5.0 E-04
75-25-2	Bromoform	ND	ND	1.1 E-02
74-83-9	Bromomethane	ND	ND	3.9 E-03

TABLE A2 (cont.)

CASRN ^a	Compound	Emission Factor ^{b,c}		Minimum Detection Level mg/m ^{3,e}
		lb per item	lb per lb NEW ^d	
101-55-3	4-Bromophenylphenylether	ND	ND	1.7 E-02
106-99-0	1,3-Butadiene	ND	ND	4.5 E-02
75-65-0	t-Butyl alcohol	ND	ND	3.1 E-03
85-68-7	Butylbenzylphthalate	ND	ND	1.7 E-02
123-72-8	Butyraldehyde	ND	ND	7.3 E-03
7440-43-9	Cadmium ^f	ND	ND	5.0 E-04
75-15-0	Carbon disulfide	6.6 E-09	1.2 E-04	--
56-23-5	Carbon tetrachloride	ND	ND	6.4 E-03
106-47-8	4-Chloroaniline	ND	ND	1.7 E-02
108-90-7	Chlorobenzene	ND	ND	4.7 E-03
75-45-6	Chlorodifluoromethane	ND	ND	3.6 E-03
75-00-3	Chloroethane	ND	ND	2.7 E-03
111-91-1	bis(2-Chloroethoxy)methane	ND	ND	1.7 E-02
111-44-4	bis(2-Chloroethyl)ether	ND	ND	1.7 E-02
67-66-3	Chloroform	ND	ND	5.0 E-03
74-87-3	Chloromethane	ND	ND	2.1 E-03
91-58-7	2-Chloronaphthalene	ND	ND	1.7 E-02
95-57-8	2-Chlorophenol	ND	ND	1.7 E-02
7005-72-3	4-Chlorophenyl-phenylether	ND	ND	1.7 E-02
7440-47-3	Chromium	3.7 E-09	6.5 E-05	--
18540-29-9	Hexavalent chromium	ND	ND	5.7 E-04
218-01-9	Chrysene	ND	ND	1.7 E-05
7440-48-4	Cobalt	ND	ND	5.0 E-04
7440-50-8	Copper	2.4 E-08	4.3 E-04	--
106-44-5	p-Cresol	ND	ND	1.7 E-02
4170-30-3	Crotonaldehyde	ND	ND	7.3 E-03
98-82-8	Cumene	ND	ND	5.0 E-03
57-12-5	Particulate cyanide	ND	ND	0
53-70-3	Dibenz[a,h]anthracene	ND	ND	1.7 E-05
132-64-9	Dibenzofuran	ND	ND	1.7 E-02
106-93-4	1,2-Dibromoethane	ND	ND	7.8 E-03
84-74-2	Dibutyl phthalate	ND	ND	1.7 E-02
95-50-1	1,2-Dichlorobenzene	ND	ND	6.1 E-03
541-73-1	1,3-Dichlorobenzene	ND	ND	6.1 E-03
106-46-7	1,4-Dichlorobenzene	ND	ND	6.1 E-03

TABLE A2 (cont.)

CASRN ^a	Compound	Emission Factor ^{b,c}		Minimum Detection Level mg/m ^{3,e}
		lb per item	lb per lb NEW ^d	
75-27-4	Dichlorobromomethane	ND	ND	6.8 E-03
75-71-8	Dichlorodifluoromethane	ND	ND	5.0 E-03
75-34-3	1,1-Dichloroethane	ND	ND	4.1 E-03
107-06-2	1,2-Dichloroethane	ND	ND	4.1 E-03
75-43-4	Dichlorofluoromethane	ND	ND	4.3 E-03
120-83-2	2,4-Dichlorophenol	ND	ND	1.7 E-02
78-87-5	1,2-Dichloropropane	ND	ND	4.7 E-03
10061-02-6	trans-1,3-Dichloropropene	ND	ND	4.6 E-03
76-14-2	Dichlorotetrafluoroethane	ND	ND	7.1 E-03
105-67-9	2,4-Dimethylphenol	ND	ND	1.7 E-02
131-11-3	Dimethyl phthalate	ND	ND	1.7 E-02
99-65-0	1,3-Dinitrobenzene	ND	ND	6.5 E-04
534-52-1	4,6-Dinitro-2-methylphenol	ND	ND	1.7 E-02
51-28-5	2,4-Dinitrophenol	ND	ND	1.7 E-02
121-14-2	2,4-Dinitrotoluene	ND	ND	6.5 E-04
606-20-2	2,6-Dinitrotoluene	ND	ND	6.5 E-04
123-91-1	1,4-Dioxane	ND	ND	3.7 E-03
--	Total dioxin/furan compounds	ND	ND	--
140-88-5	Ethyl acrylate	ND	ND	4.2 E-03
100-41-4	Ethylbenzene	ND	ND	4.4 E-03
74-85-1	Ethylene ^f	ND	ND	2.3 E-02
206-44-0	Fluoranthene	1.6 E-11	2.8 E-07	--
86-73-7	Fluorene	ND	ND	1.7 E-02
50-00-0	Formaldehyde ⁱ	4.0 E-10	7.0 E-06	--
76-13-1	Freon 113	ND	ND	7.8 E-03
67562-39-4	1,2,3,4,6,7,8- Heptachlorodibenzofuran	ND	ND	1.9 E-09
55673-89-7	1,2,3,4,7,8,9- Heptachlorodibenzofuran	ND	ND	2.2 E-09
118-74-1	Hexachlorobenzene	ND	ND	1.7 E-02
87-68-3	Hexachlorobutadiene	ND	ND	1.7 E-02
77-47-4	Hexachlorocyclopentadiene	ND	ND	1.7 E-02
39227-28-6	1,2,3,4,7,8-Hexachlorodibenzo-p- dioxin	ND	ND	1.5 E-09
57653-85-7	1,2,3,6,7,8-Hexachlorodibenzo-p- dioxin	ND	ND	1.5 E-09

TABLE A2 (cont.)

CASRN ^a	Compound	Emission Factor ^{b,c}		Minimum Detection Level mg/m ^{3,e}
		lb per item	lb per lb NEW ^d	
19408-74-3	1,2,3,7,8,9-Hexachlorodibenzo-p-dioxin	ND	ND	1.3 E-09
57117-44-9	1,2,3,6,7,8-Hexachlorodibenzofuran	ND	ND	9.1 E-10
72918-21-9	1,2,3,7,8,9-Hexachlorodibenzofuran	ND	ND	1.0 E-09
60851-34-5	2,3,4,6,7,8-Hexachlorodibenzofuran	ND	ND	9.1 E-10
67-72-1	Hexachloroethane	ND	ND	9.8 E-03
110-54-3	Hexane	ND	ND	7.2 E-02
7647-01-0	Hydrochloric acid ^f	ND	ND	5.6 E-02
74-90-8	Hydrogen cyanide ^f	3.5 E-08	6.2 E-04	--
7664-39-3	Hydrogen fluoride	ND	ND	6.1 E-02
193-39-5	Indeno[1,2,3-cd]pyrene	ND	ND	1.7 E-05
78-59-1	Isophorone	ND	ND	1.7 E-02
7439-92-1	Lead ^f	6.7 E-06	1.2 E-01	--
7439-96-5	Manganese ^f	1.4 E-09	2.4 E-05	--
96-33-3	Methyl acrylate	ND	ND	3.6 E-03
74-95-3	Methylene bromide	ND	ND	7.2 E-03
75-09-2	Methylene chloride	2.2 E-08	3.9 E-04	--
74-88-4	Methyl iodide	ND	ND	5.9 E-03
108-10-1	Methyl isobutyl ketone	ND	ND	4.2 E-03
80-62-6	Methyl methacrylate	ND	ND	4.2 E-03
91-57-6	2-Methylnaphthalene	ND	ND	1.7 E-02
95-48-7	2-Methylphenol	ND	ND	1.7 E-02
1634-04-4	Methyl tert-butyl ether	ND	ND	3.7 E-03
91-20-3	Naphthalene	ND	ND	1.7 E-02
7440-02-0	Nickel	1.2 E-09	2.0 E-05	--
7697-37-2	Nitric acid	ND	ND	2.7 E-02
100-01-6	4-Nitroaniline	ND	ND	1.7 E-02
98-95-3	Nitrobenzene	ND	ND	6.5 E-04
55-63-0	Nitroglycerin	ND	ND	6.5 E-04
88-75-5	2-Nitrophenol	ND	ND	1.7 E-02
100-02-7	4-Nitrophenol	ND	ND	1.7 E-02
62-75-9	n-Nitrosodimethylamine	ND	ND	1.7 E-02
86-30-6	n-Nitrosodiphenylamine	ND	ND	1.7 E-02
621-64-7	n-Nitroso-di-n-propylamine	ND	ND	1.7 E-02
40321-76-4	1,2,3,7,8-Pentachlorodibenzo-p-dioxin	ND	ND	2.9 E-09

TABLE A2 (cont.)

CASRN ^a	Compound	Emission Factor ^{b,c}		Minimum Detection Level mg/m ^{3,e}
		lb per item	lb per lb NEW ^d	
57117-41-6	1,2,3,7,8-Pentachlorodibenzofuran	ND	ND	1.6 E-09
57117-31-4	2,3,4,7,8-Pentachlorodibenzofuran	ND	ND	1.2 E-09
87-86-5	Pentachlorophenol	ND	ND	1.7 E-02
85-01-8	Phenanthrene	ND	ND	1.7 E-02
108-95-2	Phenol ^f	ND	ND	1.7 E-02
123-38-6	Propionaldehyde	ND	ND	7.3 E-03
115-07-1	Propylene	ND	ND	3.5 E-02
129-00-0	Pyrene	1.4 E-11	2.4 E-07	--
7782-49-2	Selenium	ND	ND	5.0 E-04
7440-22-4	Silver	ND	ND	5.0 E-04
100-42-5	Styrene ^f	ND	ND	4.3 E-03
7664-93-9	Sulfuric acid	ND	ND	2.0 E-01
1746-01-6	2,3,7,8-Tetrachlorodibenzo-p-dioxin	ND	ND	2.1 E-09
51207-31-9	2,3,7,8-Tetrachlorodibenzofuran	ND	ND	1.4 E-09
630-20-6	1,1,1,2-Tetrachloroethane	ND	ND	7.0 E-03
79-34-5	1,1,2,2-Tetrachloroethane	ND	ND	7.0 E-03
127-18-4	Tetrachloroethylene	ND	ND	6.9 E-03
7440-28-0	Thallium	1.9 E-09	3.4 E-05	--
108-88-3	Toluene	0	0	--
120-82-1	1,2,4-Trichlorobenzene	ND	ND	1.7 E-02
71-55-6	1,1,1-Trichloroethane	ND	ND	5.5 E-03
79-00-5	1,1,2-Trichloroethane	ND	ND	5.5 E-03
75-69-4	Trichlorofluoromethane ^h	3.9 E-09	6.9 E-05	--
95-95-4	2,4,5-Trichlorophenol	ND	ND	1.7 E-02
88-06-2	2,4,6-Trichlorophenol	ND	ND	1.7 E-02
96-18-4	1,2,3-Trichloropropane	ND	ND	6.1 E-03
95-63-6	1,2,4-Trimethylbenzene	ND	ND	5.0 E-03
540-84-1	2,2,4-Trimethylpentane	ND	ND	4.8 E-03
7440-62-2	Vanadium	ND	ND	5.0 E-04
108-05-4	Vinyl acetate	ND	ND	3.6 E-03
75-01-4	Vinyl chloride	ND	ND	2.6 E-03
75-35-4	Vinylidene chloride	ND	ND	4.0 E-03
106-42-3, 108-38-3	m-Xylene, p-Xylene	1.8 E-09	3.1 E-05	--
95-47-6	o-Xylene	ND	ND	4.4 E-03

TABLE A2 (cont.)

CASRN ^a	Compound	Emission Factor ^{b,c}		Minimum Detection Level mg/m ^{3,e}
		lb per item	lb per lb NEW ^d	
7440-66-6	Zinc ^f	4.8 E-07	8.4 E-03	--
Other Pollutants				
67-64-1	Acetone	0	0	--
74-86-2	Acetylene ^f	ND	ND	2.2 E-02
35572-78-2	2-Amino-4,6-dinitrotoluene	ND	ND	6.5 E-04
19406-51-0	4-Amino-2,6-dinitrotoluene	ND	ND	6.5 E-04
100-52-7	Benzaldehyde ^h	0	0	--
100-51-6	Benzyl alcohol	ND	ND	1.7 E-02
108-86-1	Bromobenzene	ND	ND	6.5 E-03
106-97-8	Butane	ND	ND	5.3 E-02
106-98-9	1-Butene ^f	ND	ND	4.7 E-02
590-18-1	cis-Butene	ND	ND	4.7 E-02
624-64-6	trans-Butene ^f	ND	ND	4.7 E-02
107-00-6	1-Butyne	ND	ND	4.5 E-02
503-17-3	2-Butyne	ND	ND	4.5 E-02
7440-44-0	Elemental carbon	ND	ND	3.12 E-02
39638-32-9	bis(2-Chloroisopropyl)ether	ND	ND	1.7 E-02
59-50-7	4-Chloro-3-methylphenol	ND	ND	1.7 E-02
3728-54-9	Cyclohexane, 1-ethyl-2-methyl ^j	2.4 E-09	4.3 E-05	--
6236-88-0	Cyclohexane, 1-ethyl-4methyl ^j	3.6 E-09	6.3 E-05	--
7058-01-7	Cyclohexane, (1-methylpropyl) ^j	4.0 E-09	7.0 E-05	--
4291-80-9	Cyclohexane, 1-methyl-3-propyl ^j	3.5 E-09	6.1 E-05	--
1678-92-8	Cyclohexane, propyl ^j	5.0 E-09	8.8 E-05	--
124-18-5	n-Decane ⁱ	1.0 E-08	1.8 E-04	--
124-48-1	Dibromochloromethane	ND	ND	8.7 E-03
156-59-2	cis-1,2-Dichloroethene	ND	ND	4.0 E-03
156-60-5	trans-1,2-Dichloroethene	ND	ND	4.0 E-03
10061-01-5	cis-1,3-Dichloropropene	ND	ND	4.6 E-03
84-66-2	Diethylphthalate ^f	ND	ND	1.7 E-02
5779-94-2	2,5-Dimethylbenzaldehyde	ND	ND	7.3 E-03
117-84-0	Di-n-octylphthalate	ND	ND	1.7 E-02
74-84-0	Ethane	ND	ND	2.5 E-02
141-78-6	Ethyl acetate	ND	ND	3.7 E-03
97-63-2	Ethyl methacrylate	ND	ND	4.7 E-03
3728-56-1	1-Ethyl-4methylcyclohexane ^j	5.7 E-09	1.0 E-04	--

TABLE A2 (cont.)

CASRN ^a	Compound	Emission Factor ^{b,c}		Minimum Detection Level mg/m ^{3,e}
		lb per item	lb per lb NEW ^d	
622-96-8	4-Ethyltoluene	ND	ND	5.0 E-03
142-82-5	n-Heptane	ND	ND	4.2 E-03
66-25-1	Hexaldehyde	ND	ND	7.3 E-03
591-78-6	2-Hexanone	ND	ND	4.2 E-03
2691-41-0	HMX	ND	ND	1.3 E-03
10035-10-6	Hydrogen bromide	ND	ND	5.0 E-02
75-28-5	Isobutane	ND	ND	4.8 E-02
115-11-7	Isobutylene	ND	ND	4.7 E-02
590-86-3	Isovaleraldehyde	ND	ND	7.3 E-03
78-93-3	Methyl ethyl ketone	ND	ND	3.0 E-03
98-83-9	alpha-Methylstyrene	ND	ND	4.9 E-03
479-45-8	Methyl-2,4,6-trinitrophenylnitramine	ND	ND	6.5 E-04
88-74-7	2-Nitroaniline	ND	ND	1.7 E-02
99-09-2	3-Nitroaniline	ND	ND	1.7 E-02
88-72-2	2-Nitrotoluene	ND	ND	6.5 E-04
99-08-1	3-Nitrotoluene	ND	ND	6.5 E-04
99-99-0	4-Nitrotoluene	ND	ND	6.5 E-04
111-84-2	n-Nonane ^k	1.3 E-08	2.3 E-04	--
5911-04-6	Nonane, 3-methyl ^j	7.6 E-09	1.3 E-04	--
111-65-9	Octane	ND	ND	4.8 E-03
2051-30-1	Octane, 2,6-dimethyl ^j	3.9 E-09	6.9 E-05	--
109-66-0	Pentane	ND	ND	6.0 E-02
14797-73-0	Perchlorate	ND	ND	7.4 E-02
7664-38-2	Phosphoric acid	ND	ND	5.5 E-02
7785-70-8	1R-.alpha.-Pinene ^j	3.8 E-09	6.6 E-05	--
74-98-6	Propane	ND	ND	3.7 E-02
74-99-7	Propyne	ND	ND	3.3 E-02
121-82-4	RDX	ND	ND	6.5 E-04
1334-78-7	o,m,p-Tolualdehyde	ND	ND	2.2 E-02
25323-89-1	Trichloroethene	ND	ND	5.0 E-03
108-67-8	1,3,5-Trimethylbenzene	ND	ND	5.0 E-03
99-35-4	1,3,5-Trinitrobenzene	ND	ND	6.5 E-04
118-96-7	2,4,6-Trinitrotoluene	ND	ND	6.5 E-04
1120-21-4	Undecane ^j	5.3 E-09	9.3 E-05	--

TABLE A2 (cont.)

CASRN ^a	Compound	Emission Factor ^{b,c}		Minimum Detection Level mg/m ^{3,e}
		lb per item	lb per lb NEW ^d	
17301-23-4	Undecane, 2,6-dimethyl- ^j	5.0 E-09	8.7 E-05	--
110-62-3	Valeraldehyde	ND	ND	7.3 E-03

^a CASRN = Chemical Abstracts Service Registry Number.

^b ND = nondetected.

^c Emission factors rated C unless otherwise noted.

^d NEW = Net explosive weight. The NEW for this compound is 5.71 E-05 pounds per item.

^e Data provided for compounds that were not detected.

^f Emission factor rated B because of correlation with emission factors for similar ordnance and number of test data points.

^g Emission factor rated A because of correlation with emission factors for similar ordnance and number of test data points.

^h Emission factor rated D because the factor is based upon C-rated test data.

ⁱ Emission factor based upon C-rated test data, but because of correlation with emission factors for similar ordnance and number of data points the factor was upgraded from a D rating to a C rating.

^j Emission factor rated D because the factor is for a tentatively identified compound.

^k Emission factor is for a tentatively identified compound, but because of correlation with emission factors for similar ordnance and number of data points the factor was upgraded from a D rating to a C rating.

TABLE A3 COMPOUNDS ANALYZED AND EMISSION FACTORS DEVELOPED FOR DODIC M670, M700 TIME BLASTING FUSE

CASRN ^a	Compound	Emission Factor lb per lb NEW ^{b,c,d}	Minimum Detection Level mg/m ^{3,e}
Carbon Dioxide, Criteria Pollutants, Methane, and Total Suspended Particulate			
124-38-9	Carbon dioxide ^f	2.9 E-01	--
630-08-0	Carbon monoxide ^g	9.5 E-02	--
7439-92-1	Lead ^f	0	--
74-82-8	Methane	5.0 E-03	--
--	Oxides of nitrogen ^f	7.7 E-02	--
--	PM-2.5 ^g	3.5 E-02	--
--	PM-10 ^f	3.4 E-02	--
7446-09-5	Sulfur dioxide	7.2 E-04	--
12789-66-1	Total suspended particulate ^g	3.4 E-02	--
Hazardous Air Pollutants and Toxic Chemicals			
83-32-9	Acenaphthene	ND	1.7 E-02
208-96-8	Acenaphthylene	4.1 E-07	--
75-07-0	Acetaldehyde	2.3 E-03	--
75-05-8	Acetonitrile	1.9 E-04	--
107-02-8	Acrolein ^f	ND	6.4 E-03
107-13-1	Acrylonitrile ^f	6.7 E-05	--
107-05-1	Allyl chloride	ND	3.2 E-03
7429-90-5	Aluminum ^f	ND	2.3 E-02
7664-41-7	Ammonia	5.5 E-03	--
120-12-7	Anthracene	5.8 E-08	--
7440-38-2	Arsenic	ND	5.0 E-04
71-43-2	Benzene	3.8 E-04	--
56-55-3	Benzo[a]anthracene	1.2 E-07	--
205-99-2	Benzo[b]fluoranthene	9.4 E-08	--
207-08-9	Benzo[k]fluoranthene	3.6 E-08	--
191-24-2	Benzo[g,h,i]perylene	ND	1.7 E-05
50-32-8	Benzo[a]pyrene	ND	1.7 E-02
192-97-2	Benzo[e]pyrene	9.8 E-08	--
7440-41-7	Beryllium	ND	5.0 E-04
75-25-2	Bromoform	ND	1.1 E-02
74-83-9	Bromomethane	ND	3.9 E-03
101-55-3	4-Bromophenylphenylether	ND	1.7 E-02
106-99-0	1,3-Butadiene	ND	4.5 E-02

TABLE A3 (cont.)

CASRN ^a	Compound	Emission Factor lb per lb NEW ^{b,c,d}	Minimum Detection Level mg/m ^{3,e}
75-65-0	t-Butyl alcohol	ND	3.1 E-03
85-68-7	Butylbenzylphthalate	ND	1.7 E-02
123-72-8	Butyraldehyde	ND	6.4 E-03
7440-43-9	Cadmium ^f	ND	5.0 E-04
75-15-0	Carbon disulfide ^h	2.1 E-02	--
56-23-5	Carbon tetrachloride	ND	6.4 E-03
106-47-8	4-Chloroaniline	ND	1.7 E-02
108-90-7	Chlorobenzene	ND	4.7 E-03
75-45-6	Chlorodifluoromethane	ND	3.6 E-03
75-00-3	Chloroethane	ND	2.7 E-03
111-91-1	bis(2-Chloroethoxy)methane	ND	1.7 E-02
111-44-4	bis(2-Chloroethyl)ether	ND	1.7 E-02
67-66-3	Chloroform	ND	5.0 E-03
74-87-3	Chloromethane	1.1 E-05	--
91-58-7	2-Chloronaphthalene	ND	1.7 E-02
95-57-8	2-Chlorophenol	ND	1.7 E-02
7005-72-3	4-Chlorophenyl-phenylether	ND	1.7 E-02
7440-47-3	Chromium	ND	5.0 E-04
18540-29-9	Hexavalent chromium	1.2 E-06	--
218-01-9	Chrysene	1.8 E-07	--
7440-48-4	Cobalt	ND	5.0 E-04
7440-50-8	Copper ^h	3.0 E-06	--
106-44-5	p-Cresol	ND	1.7 E-02
4170-30-3	Crotonaldehyde	ND	6.4 E-03
98-82-8	Cumene	ND	5.0 E-03
57-12-5	Particulate cyanide	ND	1.9 E-02
53-70-3	Dibenz[a,h]anthracene	ND	1.7 E-05
132-64-9	Dibenzofuran	ND	1.7 E-02
106-93-4	1,2-Dibromoethane	ND	7.8 E-03
84-74-2	Dibutyl phthalate	ND	1.7 E-02
95-50-1	1,2-Dichlorobenzene	ND	1.7 E-02
541-73-1	1,3-Dichlorobenzene	ND	1.7 E-02
106-46-7	1,4-Dichlorobenzene	9.0 E-05	--
75-27-4	Dichlorobromomethane	ND	6.8 E-03
75-71-8	Dichlorodifluoromethane	ND	5.0 E-03

TABLE A3 (cont.)

CASRN ^a	Compound	Emission Factor lb per lb NEW ^{b,c,d}	Minimum Detection Level mg/m ^{3,e}
75-34-3	1,1-Dichloroethane	ND	4.1 E-03
107-06-2	1,2-Dichloroethane	ND	4.1 E-03
75-43-4	Dichlorofluoromethane	ND	4.3 E-03
120-83-2	2,4-Dichlorophenol	ND	1.7 E-02
78-87-5	1,2-Dichloropropane	ND	4.7 E-03
10061-02-6	trans-1,3-Dichloropropene	ND	4.6 E-03
76-14-2	Dichlorotetrafluoroethane	ND	7.1 E-03
105-67-9	2,4-Dimethylphenol	ND	1.7 E-02
131-11-3	Dimethyl phthalate	ND	1.7 E-02
99-65-0	1,3-Dinitrobenzene	ND	6.5 E-04
534-52-1	4,6-Dinitro-2-methylphenol	ND	1.7 E-02
51-28-5	2,4-Dinitrophenol	ND	1.7 E-02
121-14-2	2,4-Dinitrotoluene	ND	6.5 E-04
606-20-2	2,6-Dinitrotoluene	ND	6.5 E-04
123-91-1	1,4-Dioxane	ND	3.7 E-03
--	Total dioxin/furan compounds	3.2 E-12	--
140-88-5	Ethyl acrylate	ND	4.2 E-03
100-41-4	Ethylbenzene	2.9 E-05	--
74-85-1	Ethylene ^f	1.9 E-03	--
117-81-7	bis(2-Ethylhexyl)phthalate	ND	1.7 E-02
206-44-0	Fluoranthene	3.7 E-08	--
86-73-7	Fluorene	ND	1.7 E-02
50-00-0	Formaldehyde ^f	1.0 E-03	--
76-13-1	Freon 113	ND	7.8 E-03
67562-39-4	1,2,3,4,6,7,8- Heptachlorodibenzofuran	ND	1.0 E-08
55673-89-7	1,2,3,4,7,8,9- Heptachlorodibenzofuran	ND	1.1 E-08
118-74-1	Hexachlorobenzene	ND	1.7 E-02
87-68-3	Hexachlorobutadiene	ND	1.7 E-02
77-47-4	Hexachlorocyclopentadiene	ND	1.7 E-02
39227-28-6	1,2,3,4,7,8-Hexachlorodibenzo-p- dioxin	3.2 E-12	--
57653-85-7	1,2,3,6,7,8-Hexachlorodibenzo-p- dioxin	ND	1.5 E-09

TABLE A3 (cont.)

CASRN ^a	Compound	Emission Factor lb per lb NEW ^{b,c,d}	Minimum Detection Level mg/m ^{3,e}
19408-74-3	1,2,3,7,8,9-Hexachlorodibenzo-p-dioxin	ND	1.3 E-09
57117-44-9	1,2,3,6,7,8-Hexachlorodibenzofuran	ND	9.2 E-10
72918-21-9	1,2,3,7,8,9-Hexachlorodibenzofuran	ND	9.8 E-10
60851-34-5	2,3,4,6,7,8-Hexachlorodibenzofuran	ND	9.4 E-10
67-72-1	Hexachloroethane	ND	1.7 E-02
110-54-3	Hexane	ND	7.2 E-02
7647-01-0	Hydrochloric acid ^f	ND	5.5 E-02
74-90-8	Hydrogen cyanide ^f	ND	1.3 E-02
7664-39-3	Hydrogen fluoride	ND	6.0 E-02
193-39-5	Indeno[1,2,3-cd]pyrene	ND	1.7 E-05
78-59-1	Isophorone	ND	1.7 E-02
7439-92-1	Lead ^f	0	--
7439-96-5	Manganese ^f	ND	5.0 E-04
96-33-3	Methyl acrylate	ND	3.6 E-03
74-95-3	Methylene bromide	ND	7.2 E-03
75-09-2	Methylene chloride	5.1 E-05	--
74-88-4	Methyl iodide	ND	5.9 E-03
108-10-1	Methyl isobutyl ketone ^h	1.9 E-05	--
80-62-6	Methyl methacrylate	ND	4.2 E-03
91-57-6	2-Methylnaphthalene	ND	1.7 E-02
95-48-7	2-Methylphenol	ND	1.7 E-02
1634-04-4	Methyl tert-butyl ether	ND	3.7 E-03
91-20-3	Naphthalene	6.9 E-06	--
7440-02-0	Nickel	ND	5.0 E-04
7697-37-2	Nitric acid	3.5 E-04	--
100-01-6	4-Nitroaniline	ND	1.7 E-02
98-95-3	Nitrobenzene	ND	6.5 E-04
55-63-0	Nitroglycerin	ND	6.5 E-04
88-75-5	2-Nitrophenol	ND	1.7 E-02
100-02-7	4-Nitrophenol	ND	1.7 E-02
62-75-9	n-Nitrosodimethylamine	ND	1.7 E-02
86-30-6	n-Nitrosodiphenylamine	ND	1.7 E-02
621-64-7	n-Nitroso-di-n-propylamine	ND	1.7 E-02
40321-76-4	1,2,3,7,8-Pentachlorodibenzo-p-dioxin	ND	4.0 E-09

TABLE A3 (cont.)

CASRN ^a	Compound	Emission Factor lb per lb NEW ^{b,c,d}	Minimum Detection Level mg/m ^{3,e}
57117-41-6	1,2,3,7,8-Pentachlorodibenzofuran	ND	2.6 E-09
57117-31-4	2,3,4,7,8-Pentachlorodibenzofuran	ND	2.1 E-09
87-86-5	Pentachlorophenol	ND	1.7 E-02
85-01-8	Phenanthrene	ND	1.7 E-02
108-95-2	Phenol ^f	ND	1.7 E-02
123-38-6	Propionaldehyde	ND	6.4 E-03
115-07-1	Propylene	9.1 E-04	--
129-00-0	Pyrene	8.3 E-08	--
7782-49-2	Selenium	ND	5.0 E-04
7440-22-4	Silver	ND	5.0 E-04
100-42-5	Styrene ^f	ND	4.3 E-03
7664-93-9	Sulfuric acid	1.0 E-03	--
1746-01-6	2,3,7,8-Tetrachlorodibenzo-p-dioxin	ND	1.1 E-09
51207-31-9	2,3,7,8-Tetrachlorodibenzofuran	ND	8.7 E-10
630-20-6	1,1,1,2-Tetrachloroethane	ND	7.0 E-03
79-34-5	1,1,2,2-Tetrachloroethane ^h	2.3 E-05	--
127-18-4	Tetrachloroethylene	ND	6.9 E-03
7440-28-0	Thallium	ND	5.0 E-04
108-88-3	Toluene	1.7 E-04	--
120-82-1	1,2,4-Trichlorobenzene	ND	1.7 E-02
71-55-6	1,1,1-Trichloroethane	ND	5.5 E-03
79-00-5	1,1,2-Trichloroethane	ND	5.5 E-03
75-69-4	Trichlorofluoromethane	ND	5.7 E-03
95-95-4	2,4,5-Trichlorophenol	ND	1.7 E-02
88-06-2	2,4,6-Trichlorophenol	ND	1.7 E-02
96-18-4	1,2,3-Trichloropropane	ND	6.1 E-03
95-63-6	1,2,4-Trimethylbenzene ^h	0	--
540-84-1	2,2,4-Trimethylpentane	ND	4.8 E-03
7440-62-2	Vanadium	ND	5.0 E-04
108-05-4	Vinyl acetate	ND	3.6 E-03
75-01-4	Vinyl chloride	ND	2.6 E-03
75-35-4	Vinylidene chloride	ND	4.0 E-03
106-42-3, 108-38-3	m-Xylene, p-Xylene	5.6 E-06	--
95-47-6	o-Xylene ^h	0	--

TABLE A3 (cont.)

CASRN ^a	Compound	Emission Factor lb per lb NEW ^{b,c,d}	Minimum Detection Level mg/m ^{3,e}
Other Pollutants			
79-20-9	Acetic acid, methyl ester ⁱ	1.4 E-05	--
67-64-1	Acetone	1.4 E-03	--
74-86-2	Acetylene ^f	2.4 E-04	--
35572-78-2	2-Amino-4,6-dinitrotoluene	ND	6.5 E-04
19406-51-0	4-Amino-2,6-dinitrotoluene	ND	6.5 E-04
100-52-7	Benzaldehyde	ND	6.4 E-03
100-51-6	Benzyl alcohol	ND	1.7 E-02
108-86-1	Bromobenzene	ND	6.5 E-03
590-19-2	1,2-Butadiene ⁱ	7.5 E-06	--
106-97-8	Butane	ND	5.3 E-02
106-98-9	1-Butene ^f	9.9 E-05	--
590-18-1	cis-Butene	ND	4.7 E-02
624-64-6	trans-Butene ^f	ND	4.7 E-02
814-78-8	3-Buten-2-one, 3-methyl ⁱ	1.2 E-05	--
107-00-6	1-Butyne	ND	4.5 E-02
503-17-3	2-Butyne	ND	4.5 E-02
7440-44-0	Elemental carbon	4.3 E-04	--
7440-44-0	Organic carbon	4.9 E-03	--
7440-44-0	Total carbon	5.3 E-03	--
39638-32-9	bis(2-Chloroisopropyl)ether	ND	1.7 E-02
59-50-7	4-Chloro-3-methylphenol	ND	1.7 E-02
120-92-3	Cyclopentanone ⁱ	2.1 E-05	--
1121-05-7	2-Cyclopenten-1-one, 2,3-dimethyl ⁱ	2.2 E-05	--
1120-73-6	2-Cyclopenten-1-one, 2-methyl ⁱ	5.8 E-05	--
2758-18-1	2-Cyclopenten-1-one, 3-methyl ⁱ	2.1 E-05	--
124-48-1	Dibromochloromethane	ND	8.7 E-03
156-59-2	cis-1,2-Dichloroethene	ND	4.0 E-03
156-60-5	trans-1,2-Dichloroethene	ND	4.0 E-03
10061-01-5	cis-1,3-Dichloropropene	ND	4.6 E-03
84-66-2	Diethylphthalate ^f	ND	1.7 E-02
5779-94-2	2,5-Dimethylbenzaldehyde	ND	6.4 E-03
117-84-0	Di-n-octylphthalate	ND	1.7 E-02
624-92-0	Disulfide, dimethyl ⁱ	3.1 E-05	--
74-84-0	Ethane	4.8 E-04	--

TABLE A3 (cont.)

CASRN ^a	Compound	Emission Factor lb per lb NEW ^{b,c,d}	Minimum Detection Level mg/m ^{3,e}
141-78-6	Ethyl acetate	ND	3.7 E-03
97-63-2	Ethyl methacrylate	ND	4.7 E-03
622-96-8	4-Ethyltoluene ^h	1.7 E-05	--
98-01-1	2-Furaldehyde ⁱ	2.7 E-05	--
110-00-9	Furan ⁱ	1.1 E-04	--
620-02-0	2-Furancarboxaldehyde, 5-methyl ⁱ	2.5 E-05	--
142-82-5	n-Heptane	ND	4.2 E-03
66-25-1	Hexaldehyde	ND	6.4 E-03
591-78-6	2-Hexanone ^h	1.4 E-05	--
2691-41-0	HMX	ND	1.3 E-03
10035-10-6	Hydrogen bromide	ND	4.9 E-02
75-28-5	Isobutane	ND	4.8 E-02
115-11-7	Isobutylene	ND	4.7 E-02
590-86-3	Isovaleraldehyde	ND	6.4 E-03
78-93-3	Methyl ethyl ketone	5.1 E-04	--
534-22-5	2-Methylfuran ⁱ	4.1 E-05	--
98-83-9	alpha-Methylstyrene ^h	1.6 E-05	--
554-14-3	2-Methylthiophene ⁱ	2.5 E-05	--
616-44-4	3-Methylthiophene ⁱ	2.7 E-05	--
479-45-8	Methyl-2,4,6-trinitrophenylnitramine	ND	6.5 E-04
88-74-7	2-Nitroaniline	ND	1.7 E-02
99-09-2	3-Nitroaniline	ND	1.7 E-02
88-72-2	2-Nitrotoluene	ND	6.5 E-04
99-08-1	3-Nitrotoluene	ND	6.5 E-04
99-99-0	4-Nitrotoluene	ND	6.5 E-04
111-65-9	Octane	ND	4.8 E-03
109-66-0	Pentane	ND	6.0 E-02
14797-73-0	Perchlorate	ND	6.9 E-02
7664-38-2	Phosphoric acid	ND	5.4 E-02
74-98-6	Propane	8.1 E-05	--
74-99-7	Propyne	1.9 E-04	--
121-82-4	RDX	ND	6.5 E-04
110-02-1	Thiophene ⁱ	1.7 E-04	--
1334-78-7	o,m,p-Tolualdehyde	ND	1.9 E-02

TABLE A3 (cont.)

CASRN ^a	Compound	Emission Factor lb per lb NEW ^{b,c,d}	Minimum Detection Level mg/m ^{3,e}
25323-89-1	Trichloroethene	ND	5.0 E-03
108-67-8	1,3,5-Trimethylbenzene ^h	1.7 E-05	--
99-35-4	1,3,5-Trinitrobenzene	ND	6.5 E-04
118-96-7	2,4,6-Trinitrotoluene	ND	6.5 E-04
3658-80-8	Trisulfide, dimethyl ⁱ	1.7 E-05	--
110-62-3	Valeraldehyde	ND	6.4 E-03

^a CASRN = Chemical Abstracts Service Registry Number.

^b ND = nondetected.

^c Emission factors rated C unless otherwise noted.

^d NEW = Net explosive weight. The NEW for this compound is 2.70 E-03 pounds per linear foot of fuse. During testing, a 5 linear foot section of fuse was used with an NEW of 1.35 E-02 pounds. Because the length of fuse used may vary, emission factors are not presented in terms of pounds of emissions per item.

^e Data provided for compounds that were not detected.

^f Emission factor rated B because of correlation with emission factors for similar ordnance and number of test data points.

^g Emission factor rated A because of correlation with emission factors for similar ordnance and number of test data points.

^h Emission factor rated D because the factor is based upon C-rated test data.

ⁱ Emission factor rated D because the factor is for a tentatively identified compound.

TABLE A4 COMPOUNDS ANALYZED AND EMISSION FACTORS DEVELOPED FOR
DODIC MD73, M796 IMPULSE CARTRIDGE

CASRN ^a	Compound	Emission Factor ^{b,c}		Minimum Detection Level mg/m ^{3,e}
		lb per item	lb per lb NEW ^d	
Carbon Dioxide, Criteria Pollutants, Methane, and Total Suspended Particulate				
124-38-9	Carbon dioxide ^f	3.0 E-05	3.9 E-02	--
630-08-0	Carbon monoxide ^f	1.7 E-05	2.1 E-02	--
7439-92-1	Lead ^g	3.6 E-09	4.6 E-06	--
74-82-8	Methane ^f	2.3 E-07	3.0 E-04	--
--	Oxides of nitrogen ^g	4.2 E-05	5.4 E-02	--
--	PM-2.5 ^g	7.2 E-05	9.2 E-02	--
--	PM-10 ^g	8.0 E-05	1.0 E-01	--
7446-09-5	Sulfur dioxide	1.4 E-07	1.8 E-04	--
12789-66-1	Total suspended particulate ^g	8.1 E-05	1.0 E-01	--
Hazardous Air Pollutants and Toxic Chemicals				
83-32-9	Acenaphthene ^g	ND	ND	1.7 E-02
208-96-8	Acenaphthylene ^g	3.4 E-11	4.4 E-08	--
75-07-0	Acetaldehyde ^g	5.4 E-08	6.9 E-05	--
75-05-8	Acetonitrile ^h	6.2 E-08	7.9 E-05	--
107-02-8	Acrolein	ND	ND	6.9 E-03
107-13-1	Acrylonitrile ^h	9.3 E-09	1.2 E-05	--
107-05-1	Allyl chloride	ND	ND	3.2 E-03
7429-90-5	Aluminum ^g	2.1 E-08	2.7 E-05	--
7664-41-7	Ammonia ⁱ	1.4 E-07	1.8 E-04	--
120-12-7	Anthracene ^g	ND	ND	1.7 E-05
7440-38-2	Arsenic	ND	ND	7.0 E-04
71-43-2	Benzene ^j	3.0 E-08	3.8 E-05	--
56-55-3	Benzo[a]anthracene ^g	6.7 E-12	8.5 E-09	--
205-99-2	Benzo[b]fluoranthene ^g	8.6 E-12	1.1 E-08	--
207-08-9	Benzo[k]fluoranthene ^g	6.7 E-12	8.5 E-09	--
191-24-2	Benzo[g,h,i]perylene ^g	7.6 E-12	9.8 E-09	--
50-32-8	Benzo[a]pyrene ^g	ND	ND	1.7 E-02
192-97-2	Benzo[e]pyrene ^g	ND	ND	1.7 E-05
7440-41-7	Beryllium	ND	ND	7.0 E-04
75-25-2	Bromoform	ND	ND	1.1 E-02
74-83-9	Bromomethane	ND	ND	3.9 E-03
101-55-3	4-Bromophenylphenylether	ND	ND	1.7 E-02
106-99-0	1,3-Butadiene	ND	ND	4.5 E-02

TABLE A4 (cont.)

CASRN ^a	Compound	Emission Factor ^{b,c}		Minimum Detection Level mg/m ^{3,e}
		lb per item	lb per lb NEW ^d	
75-65-0	t-Butyl alcohol	ND	ND	3.1 E-03
85-68-7	Butylbenzylphthalate	ND	ND	1.7 E-02
123-72-8	Butyraldehyde	ND	ND	6.9 E-03
7440-43-9	Cadmium	2.3 E-10	2.9 E-07	--
75-15-0	Carbon disulfide	ND	ND	3.2 E-03
56-23-5	Carbon tetrachloride	ND	ND	6.4 E-03
106-47-8	4-Chloroaniline	ND	ND	1.7 E-02
108-90-7	Chlorobenzene	ND	ND	4.7 E-03
75-45-6	Chlorodifluoromethane	ND	ND	3.6 E-03
75-00-3	Chloroethane	ND	ND	2.7 E-03
111-91-1	bis(2-Chloroethoxy)methane	ND	ND	1.7 E-02
111-44-4	bis(2-Chloroethyl)ether	ND	ND	1.7 E-02
67-66-3	Chloroform	ND	ND	5.0 E-03
74-87-3	Chloromethane	ND	ND	2.1 E-03
91-58-7	2-Chloronaphthalene	ND	ND	1.7 E-02
95-57-8	2-Chlorophenol	ND	ND	1.7 E-02
7005-72-3	4-Chlorophenyl-phenylether	ND	ND	1.7 E-02
7440-47-3	Chromium	5.5 E-07	7.1 E-04	--
18540-29-9	Hexavalent chromium	4.5 E-07	5.7 E-04	--
218-01-9	Chrysene	7.3 E-12	9.4 E-09	--
7440-48-4	Cobalt	ND	ND	7.0 E-04
7440-50-8	Copper ^g	9.5 E-09	1.2 E-05	--
106-44-5	p-Cresol	ND	ND	1.7 E-02
4170-30-3	Crotonaldehyde	ND	ND	6.9 E-03
98-82-8	Cumene ^j	2.2 E-09	2.8 E-06	--
57-12-5	Particulate cyanide	8.7 E-09	1.1 E-05	--
53-70-3	Dibenz[a,h]anthracene ^g	7.3 E-12	9.4 E-09	--
132-64-9	Dibenzofuran	ND	ND	1.7 E-02
106-93-4	1,2-Dibromoethane	ND	ND	7.8 E-03
84-74-2	Dibutyl phthalate	ND	ND	1.7 E-02
95-50-1	1,2-Dichlorobenzene	ND	ND	6.1 E-03
541-73-1	1,3-Dichlorobenzene	ND	ND	6.1 E-03
106-46-7	1,4-Dichlorobenzene	ND	ND	6.1 E-03
75-27-4	Dichlorobromomethane	ND	ND	6.8 E-03
75-71-8	Dichlorodifluoromethane	ND	ND	5.0 E-03

TABLE A4 (cont.)

CASRN ^a	Compound	Emission Factor ^{b,c}		Minimum Detection Level mg/m ^{3,e}
		lb per item	lb per lb NEW ^d	
75-34-3	1,1-Dichloroethane	ND	ND	4.1 E-03
107-06-2	1,2-Dichloroethane	ND	ND	4.1 E-03
75-43-4	Dichlorofluoromethane	ND	ND	4.3 E-03
120-83-2	2,4-Dichlorophenol	ND	ND	1.7 E-02
78-87-5	1,2-Dichloropropane	ND	ND	4.7 E-03
10061-02-6	trans-1,3-Dichloropropene	ND	ND	4.6 E-03
76-14-2	Dichlorotetrafluoroethane	ND	ND	7.1 E-03
105-67-9	2,4-Dimethylphenol	ND	ND	1.7 E-02
131-11-3	Dimethyl phthalate	ND	ND	1.7 E-02
99-65-0	1,3-Dinitrobenzene	ND	ND	6.8 E-04
534-52-1	4,6-Dinitro-2-methylphenol	ND	ND	1.7 E-02
51-28-5	2,4-Dinitrophenol	ND	ND	1.7 E-02
121-14-2	2,4-Dinitrotoluene	ND	ND	6.8 E-04
606-20-2	2,6-Dinitrotoluene	ND	ND	6.8 E-04
123-91-1	1,4-Dioxane	ND	ND	3.7 E-03
--	Total dioxin/furan compounds	1.2 E-15	1.6 E-12	--
140-88-5	Ethyl acrylate	ND	ND	4.2 E-03
100-41-4	Ethylbenzene ^j	1.7 E-08	2.2 E-05	--
74-85-1	Ethylene ^g	1.1 E-07	1.4 E-04	--
206-44-0	Fluoranthene ^g	1.8 E-12	2.4 E-09	--
86-73-7	Fluorene ^g	ND	ND	1.7 E-02
50-00-0	Formaldehyde ^g	5.9 E-07	7.5 E-04	--
76-13-1	Freon 113 ^g	ND	ND	7.8 E-03
55673-89-7	1,2,3,4,7,8,9-Heptachlorodibenzofuran	ND	ND	2.3 E-09
118-74-1	Hexachlorobenzene	ND	ND	1.7 E-02
87-68-3	Hexachlorobutadiene	ND	ND	1.1 E-02
77-47-4	Hexachlorocyclopentadiene	ND	ND	1.7 E-02
39227-28-6	1,2,3,4,7,8-Hexachlorodibenzo-p-dioxin	2.4 E-16	3.1 E-13	--
57653-85-7	1,2,3,6,7,8-Hexachlorodibenzo-p-dioxin	2.0 E-16	2.6 E-13	--
19408-74-3	1,2,3,7,8,9-Hexachlorodibenzo-p-dioxin ^j	3.0 E-16	3.8 E-13	--
70648-26-9	1,2,3,4,7,8-Hexachlorodibenzofuran	ND	ND	5.5 E-10
57117-44-9	1,2,3,6,7,8-Hexachlorodibenzofuran	ND	ND	4.6 E-10

TABLE A4 (cont.)

CASRN ^a	Compound	Emission Factor ^{b,c}		Minimum Detection Level mg/m ^{3,e}
		lb per item	lb per lb NEW ^d	
72918-21-9	1,2,3,7,8,9-Hexachlorodibenzofuran	4.9 E-16	6.3 E-13	--
60851-34-5	2,3,4,6,7,8-Hexachlorodibenzofuran	ND	ND	5.2 E-10
67-72-1	Hexachloroethane	ND	ND	9.8 E-03
110-54-3	Hexane	ND	ND	7.2 E-02
7647-01-0	Hydrochloric acid	2.9 E-08	3.7 E-05	--
74-90-8	Hydrogen cyanide ^g	6.9 E-08	8.8 E-05	--
7664-39-3	Hydrogen fluoride	ND	ND	9.6 E-02
193-39-5	Indeno[1,2,3-cd]pyrene ^f	7.6 E-12	9.8 E-09	--
78-59-1	Isophorone	ND	ND	1.7 E-02
7439-92-1	Lead ^g	3.6 E-09	4.6 E-06	--
7439-96-5	Manganese ^f	8.4 E-09	1.1 E-05	--
96-33-3	Methyl acrylate	ND	ND	3.6 E-03
74-95-3	Methylene bromide	ND	ND	7.2 E-03
75-09-2	Methylene chloride ^g	7.7 E-09	9.8 E-06	--
74-88-4	Methyl iodide	ND	ND	5.9 E-03
108-10-1	Methyl isobutyl ketone ^j	1.8 E-09	2.3 E-06	--
80-62-6	Methyl methacrylate	ND	ND	4.2 E-03
91-57-6	2-Methylnaphthalene	ND	ND	1.7 E-02
95-48-7	2-Methylphenol	ND	ND	1.7 E-02
1634-04-4	Methyl tert-butyl ether	ND	ND	3.7 E-03
91-20-3	Naphthalene ^g	ND	ND	1.7 E-02
7440-02-0	Nickel	3.6 E-10	4.6 E-07	--
7697-37-2	Nitric acid ^g	1.4 E-06	1.7 E-03	--
100-01-6	4-Nitroaniline	ND	ND	1.7 E-02
98-95-3	Nitrobenzene	ND	ND	6.8 E-04
55-63-0	Nitroglycerin ^j	5.6 E-08	7.1 E-05	--
88-75-5	2-Nitrophenol	ND	ND	1.7 E-02
100-02-7	4-Nitrophenol	ND	ND	1.7 E-02
62-75-9	n-Nitrosodimethylamine	ND	ND	1.7 E-02
86-30-6	n-Nitrosodiphenylamine	ND	ND	1.7 E-02
621-64-7	n-Nitroso-di-n-propylamine	ND	ND	1.7 E-02
40321-76-4	1,2,3,7,8-Pentachlorodibenzo-p-dioxin	ND	ND	3.8 E-09
57117-41-6	1,2,3,7,8-Pentachlorodibenzofuran	ND	ND	1.4 E-09
57117-31-4	2,3,4,7,8-Pentachlorodibenzofuran	ND	ND	1.2 E-09

TABLE A4 (cont.)

CASRN ^a	Compound	Emission Factor ^{b,c}		Minimum Detection Level mg/m ^{3,e}
		lb per item	lb per lb NEW ^d	
87-86-5	Pentachlorophenol	ND	ND	1.7 E-02
85-01-8	Phenanthrene ^g	ND	ND	1.7 E-02
108-95-2	Phenol ^g	ND	ND	1.7 E-02
123-38-6	Propionaldehyde	ND	ND	6.9 E-03
115-07-1	Propylene ^g	ND	ND	3.5 E-02
129-00-0	Pyrene ^g	8.6 E-13	1.1 E-09	--
7782-49-2	Selenium	ND	ND	7.0 E-04
7440-22-4	Silver	ND	ND	7.0 E-04
100-42-5	Styrene	ND	ND	4.3 E-03
7664-93-9	Sulfuric acid	ND	ND	3.1 E-01
1746-01-6	2,3,7,8-Tetrachlorodibenzo-p-dioxin ^g	ND	ND	1.6 E-09
51207-31-9	2,3,7,8-Tetrachlorodibenzofuran	ND	ND	8.0 E-10
630-20-6	1,1,1,2-Tetrachloroethane	ND	ND	7.0 E-03
79-34-5	1,1,2,2-Tetrachloroethane	ND	ND	7.0 E-03
127-18-4	Tetrachloroethylene	ND	ND	6.9 E-03
7440-28-0	Thallium	ND	ND	7.0 E-04
108-88-3	Toluene ⁱ	1.5 E-08	1.9 E-05	--
120-82-1	1,2,4-Trichlorobenzene	ND	ND	7.5 E-03
71-55-6	1,1,1-Trichloroethane	ND	ND	5.5 E-03
79-00-5	1,1,2-Trichloroethane	ND	ND	5.5 E-03
75-69-4	Trichlorofluoromethane	ND	ND	5.7 E-03
95-95-4	2,4,5-Trichlorophenol	ND	ND	1.7 E-02
88-06-2	2,4,6-Trichlorophenol	ND	ND	1.7 E-02
96-18-4	1,2,3-Trichloropropane	ND	ND	6.1 E-03
95-63-6	1,2,4-Trimethylbenzene ^j	5.6 E-09	7.2 E-06	--
540-84-1	2,2,4-Trimethylpentane	ND	ND	4.8 E-03
7440-62-2	Vanadium	ND	ND	7.0 E-04
108-05-4	Vinyl acetate	ND	ND	3.6 E-03
75-01-4	Vinyl chloride	ND	ND	2.6 E-03
75-35-4	Vinylidene chloride ^g	ND	ND	4.0 E-03
106-42-3, 108-38-3	m-Xylene, p-Xylene ^j	8.4 E-08	1.1 E-04	--
95-47-6	o-Xylene ^j	3.1 E-08	3.9 E-05	--
7440-66-6	Zinc	8.1 E-09	1.0 E-05	--

TABLE A4 (cont.)

CASRN ^a	Compound	Emission Factor ^{b,c}		Minimum Detection Level mg/m ^{3,e}
		lb per item	lb per lb NEW ^d	
Other Pollutants				
67-64-1	Acetone	ND	ND	2.6 E-02
74-86-2	Acetylene ^g	2.2 E-07	2.8 E-04	--
35572-78-2	2-Amino-4,6-dinitrotoluene	ND	ND	6.8 E-04
19406-51-0	4-Amino-2,6-dinitrotoluene	ND	ND	6.8 E-04
100-52-7	Benzaldehyde	ND	ND	6.9 E-03
100-51-6	Benzyl alcohol	ND	ND	1.7 E-02
108-86-1	Bromobenzene	ND	ND	6.5 E-03
106-97-8	Butane	ND	ND	5.3 E-02
106-98-9	1-Butene	ND	ND	4.7 E-02
590-18-1	cis-Butene	ND	ND	4.7 E-02
624-64-6	trans-Butene	ND	ND	4.7 E-02
107-00-6	1-Butyne	ND	ND	4.5 E-02
503-17-3	2-Butyne	ND	ND	4.5 E-02
7440-70-2	Calcium ^g	6.0 E-07	7.6 E-04	--
7440-44-0	Elemental carbon ^g	ND	ND	3.20 E-02
7440-44-0	Organic carbon ^f	7.9 E-07	1.0 E-03	--
7440-44-0	Total carbon ^f	7.9 E-07	1.0 E-03	--
39638-32-9	bis(2-Chloroisopropyl)ether	ND	ND	1.7 E-02
59-50-7	4-Chloro-3-methylphenol	ND	ND	1.7 E-02
124-48-1	Dibromochloromethane	ND	ND	8.7 E-03
156-59-2	cis-1,2-Dichloroethene	ND	ND	4.0 E-03
156-60-5	trans-1,2-Dichloroethene	ND	ND	4.0 E-03
10061-01-5	cis-1,3-Dichloropropene	ND	ND	4.6 E-03
85-98-3	N,N-Diethylcarbanilide ^k	1.4 E-08	1.8 E-05	--
84-66-2	Diethylphthalate	ND	ND	1.7 E-02
5779-94-2	2,5-Dimethylbenzaldehyde	ND	ND	6.9 E-03
117-84-0	Di-n-octylphthalate	ND	ND	1.7 E-02
74-84-0	Ethane ^g	ND	ND	2.5 E-02
141-78-6	Ethyl acetate	ND	ND	3.7 E-03
97-63-2	Ethyl methacrylate	ND	ND	4.7 E-03
622-96-8	4-Ethyltoluene ^j	7.4 E-09	9.4 E-06	--
611-14-3	o-Ethyltoluene ^k	7.3 E-09	9.4 E-06	--
110-00-9	Furan ^k	1.2 E-09	1.6 E-06	--
142-82-5	n-Heptane	ND	ND	4.2 E-03

TABLE A4 (cont.)

CASRN ^a	Compound	Emission Factor ^{b,c}		Minimum Detection Level mg/m ^{3,e}
		lb per item	lb per lb NEW ^d	
66-25-1	Hexaldehyde	ND	ND	6.9 E-03
591-78-6	2-Hexanone	ND	ND	4.2 E-03
2691-41-0	HMX	ND	ND	1.4 E-03
10035-10-6	Hydrogen bromide	ND	ND	7.8 E-02
75-28-5	Isobutane	ND	ND	4.8 E-02
115-11-7	Isobutylene	1.6 E-08	2.1 E-05	--
590-86-3	Isovaleraldehyde	ND	ND	6.9 E-03
7439-95-4	Magnesium	2.2 E-07	2.8 E-04	--
78-93-3	Methyl ethyl ketone ^h	1.3 E-09	1.7 E-06	--
98-83-9	alpha-Methylstyrene	ND	ND	4.9 E-03
479-45-8	Methyl-2,4,6-trinitrophenylnitramine	ND	ND	6.8 E-04
88-74-7	2-Nitroaniline	ND	ND	1.7 E-02
99-09-2	3-Nitroaniline	ND	ND	1.7 E-02
88-72-2	2-Nitrotoluene	ND	ND	6.8 E-04
99-08-1	3-Nitrotoluene	ND	ND	6.8 E-04
99-99-0	4-Nitrotoluene	ND	ND	6.8 E-04
593-45-3	Octadecane ^k	2.8 E-09	3.6 E-06	--
111-65-9	Octane	ND	ND	4.8 E-03
109-66-0	Pentane	ND	ND	6.0 E-02
14797-73-0	Perchlorate	ND	ND	7.1 E-02
7664-38-2	Phosphoric acid	ND	ND	1.3 E-01
463-49-0	1,2-Propadiene ^k	1.3 E-09	1.7 E-06	--
74-98-6	Propane	ND	ND	3.7 E-02
74-99-7	Propyne	ND	ND	3.3 E-02
121-82-4	RDX	ND	ND	6.8 E-04
353-66-2	Silane, difluorodimethyl- ^k	1.8 E-09	2.2 E-06	--
7683-64-9	Squalene ^k	1.1 E-08	1.4 E-05	--
1334-78-7	o,m,p-Tolualdehyde	ND	ND	6.9 E-03
25323-89-1	Trichloroethene	ND	ND	5.0 E-03
108-67-8	1,3,5-Trimethylbenzene ^j	3.9 E-09	5.0 E-06	--
99-35-4	1,3,5-Trinitrobenzene	ND	ND	6.8 E-04
118-96-7	2,4,6-Trinitrotoluene ^g	ND	ND	6.8 E-04
1120-21-4	Undecane ^k	2.8 E-09	3.6 E-06	--
110-62-3	Valeraldehyde	ND	ND	6.9 E-03

TABLE A4 (cont.)

- ^a CASRN = Chemical Abstracts Service Registry Number.
- ^b ND = nondetected.
- ^c Emission factors rated C unless otherwise noted.
- ^d NEW = Net explosive weight. The NEW for this compound is 7.83 E-04 pounds per item.
- ^e Data provided for compounds that were not detected.
- ^f Emission factor rated A because of correlation with emission factors for similar ordnance and number of test data points.
- ^g Emission factor rated B because of correlation with emission factors for similar ordnance and number of test data points.
- ^h Emission factor was originally rated D because the factor is based upon C-rated test data, but because of correlation with emission factors for similar ordnance and number of data points the factor was upgraded from a D rating to a C rating.
- ⁱ Emission factor was originally rated D because the factor is based upon C-rated test data, but because of correlation with emission factors for similar ordnance and number of data points the factor was upgraded from a D rating to a B rating.
- ^j Emission factor rated D because the factor is based upon C-rated test data.
- ^k Emission factor rated D because the factor is for a tentatively identified compound.

TABLE A5 COMPOUNDS ANALYZED AND EMISSION FACTORS DEVELOPED FOR
DODIC ML05, MK24 POWDER ACTUATED CUTTER

CASRN ^a	Compound	Emission Factor ^{b,c}		Minimum Detection Level mg/m ^{3,e}
		lb per item	lb per lb NEW ^d	
Carbon Dioxide, Criteria Pollutants, Methane, and Total Suspended Particulate				
124-38-9	Carbon dioxide ^f	1.5	1.2	--
630-08-0	Carbon monoxide ^g	2.3 E-02	1.8 E-02	--
7439-92-1	Lead	1.1 E-03	8.5 E-04	--
74-82-8	Methane	2.5 E-04	2.0 E-04	--
--	Oxides of nitrogen ^f	1.9 E-02	1.5 E-02	--
--	PM-2.5 ^f	2.9 E-02	2.3 E-02	--
--	PM-10	6.6 E-02	5.3 E-02	--
7446-09-5	Sulfur dioxide	1.2 E-04	9.5 E-05	--
12789-66-1	Total suspended particulate	7.4 E-02	5.8 E-02	--
Hazardous Air Pollutants and Toxic Chemicals				
83-32-9	Acenaphthene ^g	4.3 E-08	3.4 E-08	--
208-96-8	Acenaphthylene ^g	1.1 E-06	8.6 E-07	--
75-07-0	Acetaldehyde	3.2 E-05	2.5 E-05	--
75-05-8	Acetonitrile ^g	1.2 E-04	9.2 E-05	--
98-86-2	Acetophenone ^h	8.7 E-06	6.9 E-06	--
107-02-8	Acrolein	ND	ND	7.1 E-03
107-13-1	Acrylonitrile ^g	2.4 E-04	1.9 E-04	--
107-05-1	Allyl chloride	ND	ND	3.2 E-03
7429-90-5	Aluminum ^g	3.4 E-03	2.7 E-03	--
7664-41-7	Ammonia ^g	3.0 E-04	2.3 E-04	--
120-12-7	Anthracene ^g	1.3 E-07	1.0 E-07	--
7440-36-0	Antimony	7.1 E-06	5.6 E-06	--
7440-38-2	Arsenic	1.6 E-06	1.3 E-06	--
7440-39-3	Barium	3.2 E-05	2.6 E-05	--
71-43-2	Benzene ^g	1.1 E-04	8.4 E-05	--
56-55-3	Benzo[a]anthracene ^g	5.6 E-08	4.4 E-08	--
205-99-2	Benzo[b]fluoranthene ^g	2.6 E-08	2.1 E-08	--
207-08-9	Benzo[k]fluoranthene ^g	2.9 E-08	2.3 E-08	--
191-24-2	Benzo[g,h,i]perylene ^g	9.3 E-09	7.4 E-09	--
50-32-8	Benzo[a]pyrene ^g	ND	ND	1.6 E-02
192-97-2	Benzo[e]pyrene ^g	2.5 E-08	2.0 E-08	--
7440-41-7	Beryllium	ND	ND	4.8 E-04
75-25-2	Bromoform	ND	ND	1.1 E-02

TABLE A5 (cont.)

CASRN ^a	Compound	Emission Factor ^{b,c}		Minimum Detection Level mg/m ^{3,e}
		lb per item	lb per lb NEW ^d	
74-83-9	Bromomethane	ND	ND	3.9 E-03
101-55-3	4-Bromophenylphenylether	ND	ND	1.6 E-02
106-99-0	1,3-Butadiene ^f	ND	ND	4.5 E-02
75-65-0	t-Butyl alcohol	ND	ND	3.1 E-03
85-68-7	Butylbenzylphthalate ^g	ND	ND	1.6 E-02
123-72-8	Butyraldehyde	ND	ND	7.1 E-03
7440-43-9	Cadmium	3.3 E-06	2.6 E-06	--
75-15-0	Carbon disulfide	ND	ND	3.2 E-03
56-23-5	Carbon tetrachloride	ND	ND	6.4 E-03
106-47-8	4-Chloroaniline	ND	ND	1.6 E-02
108-90-7	Chlorobenzene	ND	ND	4.7 E-03
75-45-6	Chlorodifluoromethane	ND	ND	3.6 E-03
75-00-3	Chloroethane	ND	ND	2.7 E-03
111-91-1	bis(2-Chloroethoxy)methane	ND	ND	1.6 E-02
111-44-4	bis(2-Chloroethyl)ether	ND	ND	1.6 E-02
67-66-3	Chloroform	ND	ND	5.0 E-03
74-87-3	Chloromethane	1.9 E-06	1.5 E-06	--
91-58-7	2-Chloronaphthalene	ND	ND	1.6 E-02
95-57-8	2-Chlorophenol	ND	ND	1.6 E-02
7005-72-3	4-Chlorophenyl-phenylether	ND	ND	1.6 E-02
7440-47-3	Chromium	2.7 E-05	2.2 E-05	--
18540-29-9	Hexavalent chromium ^g	ND	ND	5.6 E-04
218-01-9	Chrysene	6.9 E-08	5.5 E-08	--
7440-48-4	Cobalt ^g	2.1 E-06	1.6 E-06	--
7440-50-8	Copper ^g	2.1 E-03	1.7 E-03	--
106-44-5	p-Cresol	ND	ND	1.6 E-02
4170-30-3	Crotonaldehyde	ND	ND	7.1 E-03
98-82-8	Cumene ^g	9.5 E-06	7.5 E-06	--
57-12-5	Particulate cyanide	ND	ND	1.4 E-02
53-70-3	Dibenz[a,h]anthracene	ND	ND	1.6 E-05
132-64-9	Dibenzofuran	ND	ND	1.6 E-02
106-93-4	1,2-Dibromoethane	ND	ND	7.8 E-03
84-74-2	Dibutyl phthalate ^g	ND	ND	1.6 E-02
95-50-1	1,2-Dichlorobenzene	ND	ND	6.1 E-03
541-73-1	1,3-Dichlorobenzene	ND	ND	6.1 E-03

TABLE A5 (cont.)

CASRN ^a	Compound	Emission Factor ^{b,c}		Minimum Detection Level mg/m ^{3,e}
		lb per item	lb per lb NEW ^d	
106-46-7	1,4-Dichlorobenzene	ND	ND	6.1 E-03
75-27-4	Dichlorobromomethane	ND	ND	6.8 E-03
75-71-8	Dichlorodifluoromethane	ND	ND	5.0 E-03
75-34-3	1,1-Dichloroethane	ND	ND	4.1 E-03
107-06-2	1,2-Dichloroethane	2.3 E-06	1.8 E-06	--
75-43-4	Dichlorofluoromethane	ND	ND	4.3 E-03
120-83-2	2,4-Dichlorophenol	ND	ND	1.6 E-02
78-87-5	1,2-Dichloropropane	ND	ND	4.7 E-03
10061-02-6	trans-1,3-Dichloropropene	ND	ND	4.6 E-03
76-14-2	Dichlorotetrafluoroethane	ND	ND	7.1 E-03
105-67-9	2,4-Dimethylphenol	ND	ND	1.6 E-02
131-11-3	Dimethyl phthalate	ND	ND	1.6 E-02
99-65-0	1,3-Dinitrobenzene	ND	ND	6.4 E-04
534-52-1	4,6-Dinitro-2-methylphenol	ND	ND	1.6 E-02
51-28-5	2,4-Dinitrophenol	ND	ND	1.6 E-02
121-14-2	2,4-Dinitrotoluene	ND	ND	6.4 E-04
606-20-2	2,6-Dinitrotoluene ^g	ND	ND	6.4 E-04
123-91-1	1,4-Dioxane	ND	ND	3.7 E-03
--	Total dioxin/furan compounds	1.6 E-10	1.2 E-10	--
140-88-5	Ethyl acrylate	ND	ND	4.2 E-03
100-41-4	Ethylbenzene ^g	9.4 E-06	7.4 E-06	--
74-85-1	Ethylene	6.8 E-05	5.4 E-05	--
206-44-0	Fluoranthene ^g	3.2 E-07	2.5 E-07	--
86-73-7	Fluorene	1.1 E-07	8.8 E-08	--
50-00-0	Formaldehyde	8.4 E-05	6.7 E-05	--
76-13-1	Freon 113	ND	ND	7.8 E-03
35822-46-9	1,2,3,4,6,7,8-Heptachlorodibenzo-p-dioxin	1.7 E-11	1.3 E-11	--
67562-39-4	1,2,3,4,6,7,8-Heptachlorodibenzofuran	8.8 E-12	7.0 E-12	--
55673-89-7	1,2,3,4,7,8,9-Heptachlorodibenzofuran	2.3 E-12	1.8 E-12	--
118-74-1	Hexachlorobenzene	ND	ND	1.6 E-02
87-68-3	Hexachlorobutadiene	ND	ND	1.6 E-02
77-47-4	Hexachlorocyclopentadiene	ND	ND	1.6 E-02

TABLE A5 (cont.)

CASRN ^a	Compound	Emission Factor ^{b,c}		Minimum Detection Level mg/m ^{3,e}
		lb per item	lb per lb NEW ^d	
39227-28-6	1,2,3,4,7,8-Hexachlorodibenzo-p-dioxin	ND	ND	6.0 E-10
57653-85-7	1,2,3,6,7,8-Hexachlorodibenzo-p-dioxin	3.6 E-12	2.9 E-12	--
19408-74-3	1,2,3,7,8,9-Hexachlorodibenzo-p-dioxin	2.8 E-12	2.2 E-12	--
70648-26-9	1,2,3,4,7,8-Hexachlorodibenzofuran	3.3 E-12	2.6 E-12	--
57117-44-9	1,2,3,6,7,8-Hexachlorodibenzofuran	1.5 E-12	1.2 E-12	--
72918-21-9	1,2,3,7,8,9-Hexachlorodibenzofuran	ND	ND	3.6 E-09
60851-34-5	2,3,4,6,7,8-Hexachlorodibenzofuran	1.7 E-12	1.4 E-12	--
67-72-1	Hexachloroethane	ND	ND	9.8 E-03
110-54-3	Hexane	ND	ND	7.2 E-02
7647-01-0	Hydrochloric acid	ND	ND	5.8 E-02
74-90-8	Hydrogen cyanide ^g	3.3 E-04	2.7 E-04	--
7664-39-3	Hydrogen fluoride	ND	ND	6.4 E-02
193-39-5	Indeno[1,2,3-cd]pyrene	5.9 E-09	4.7 E-09	--
78-59-1	Isophorone	ND	ND	1.6 E-02
7439-92-1	Lead	1.1 E-03	8.5 E-04	--
7439-96-5	Manganese ^g	2.4 E-04	1.9 E-04	--
96-33-3	Methyl acrylate	ND	ND	3.6 E-03
74-95-3	Methylene bromide	ND	ND	7.2 E-03
75-09-2	Methylene chloride	2.4 E-07	1.9 E-07	--
74-88-4	Methyl iodide	ND	ND	5.9 E-03
108-10-1	Methyl isobutyl ketone	ND	ND	4.2 E-03
80-62-6	Methyl methacrylate	ND	ND	4.2 E-03
91-57-6	2-Methylnaphthalene	ND	ND	1.6 E-02
95-48-7	2-Methylphenol	ND	ND	1.6 E-02
1634-04-4	Methyl tert-butyl ether	ND	ND	3.7 E-03
91-20-3	Naphthalene ^g	4.4 E-06	3.5 E-06	--
7440-02-0	Nickel ^g	2.8 E-05	2.2 E-05	--
7697-37-2	Nitric acid ^f	2.4 E-04	1.9 E-04	--
100-01-6	4-Nitroaniline	ND	ND	1.6 E-02
98-95-3	Nitrobenzene	ND	ND	6.4 E-04
55-63-0	Nitroglycerin	5.1 E-07	4.1 E-07	--
88-75-5	2-Nitrophenol	3.0 E-06	2.4 E-06	--
100-02-7	4-Nitrophenol ⁱ	3.9 E-06	3.1 E-06	--

TABLE A5 (cont.)

CASRN ^a	Compound	Emission Factor ^{b,c}		Minimum Detection Level mg/m ^{3,e}
		lb per item	lb per lb NEW ^d	
62-75-9	n-Nitrosodimethylamine	ND	ND	1.6 E-02
86-30-6	n-Nitrosodiphenylamine	ND	ND	1.6 E-02
621-64-7	n-Nitroso-di-n-propylamine	ND	ND	1.6 E-02
3268-87-9	1,2,3,4,6,7,8,9-Octachlorodibenzo- p-dioxin	1.0 E-10	8.0 E-11	--
39001-02-0	1,2,3,4,6,7,8,9- Octachlorodibenzofuran	9.4 E-12	7.4 E-12	--
40321-76-4	1,2,3,7,8-Pentachlorodibenzo-p- dioxin	ND	ND	1.9 E-09
57117-41-6	1,2,3,7,8-Pentachlorodibenzofuran	ND	ND	2.9 E-09
57117-31-4	2,3,4,7,8-Pentachlorodibenzofuran	3.4 E-12	2.7 E-12	--
87-86-5	Pentachlorophenol	ND	ND	1.6 E-02
85-01-8	Phenanthrene ^g	8.9 E-07	7.0 E-07	--
108-95-2	Phenol ^g	3.5 E-06	2.8 E-06	--
123-38-6	Propionaldehyde	ND	ND	7.1 E-03
115-07-1	Propylene ^g	1.6 E-05	1.3 E-05	--
129-00-0	Pyrene ^f	3.5 E-07	2.8 E-07	--
7782-49-2	Selenium	ND	ND	4.8 E-04
7440-22-4	Silver	1.2 E-06	9.5 E-07	--
100-42-5	Styrene ^h	3.6 E-06	2.8 E-06	--
7664-93-9	Sulfuric acid	ND	ND	2.0 E-01
1746-01-6	2,3,7,8-Tetrachlorodibenzo-p-dioxin	ND	ND	1.9 E-09
51207-31-9	2,3,7,8-Tetrachlorodibenzofuran	1.0 E-12	8.2 E-13	--
630-20-6	1,1,1,2-Tetrachloroethane	ND	ND	7.0 E-03
79-34-5	1,1,2,2-Tetrachloroethane	ND	ND	7.0 E-03
127-18-4	Tetrachloroethylene	ND	ND	6.9 E-03
7440-28-0	Thallium	2.2 E-07	1.7 E-07	--
108-88-3	Toluene ^g	2.1 E-05	1.6 E-05	--
120-82-1	1,2,4-Trichlorobenzene	ND	ND	1.6 E-02
71-55-6	1,1,1-Trichloroethane	ND	ND	5.5 E-03
79-00-5	1,1,2-Trichloroethane	ND	ND	5.5 E-03
75-69-4	Trichlorofluoromethane	ND	ND	5.7 E-03
95-95-4	2,4,5-Trichlorophenol	ND	ND	1.6 E-02
88-06-2	2,4,6-Trichlorophenol	ND	ND	1.6 E-02
96-18-4	1,2,3-Trichloropropane	ND	ND	6.1 E-03

TABLE A5 (cont.)

CASRN ^a	Compound	Emission Factor ^{b,c}		Minimum Detection Level mg/m ^{3,e}
		lb per item	lb per lb NEW ^d	
95-63-6	1,2,4-Trimethylbenzene ^h	1.4 E-06	1.1 E-06	--
540-84-1	2,2,4-Trimethylpentane ^g	ND	ND	4.8 E-03
7440-62-2	Vanadium	5.3 E-06	4.2 E-06	--
108-05-4	Vinyl acetate	ND	ND	3.6 E-03
75-01-4	Vinyl chloride	1.5 E-06	1.2 E-06	--
75-35-4	Vinylidene chloride	ND	ND	4.0 E-03
106-42-3, 108-38-3	m-Xylene, p-Xylene	5.4 E-06	4.3 E-06	--
95-47-6	o-Xylene ^g	2.5 E-06	2.0 E-06	--
7440-66-6	Zinc	2.4 E-03	1.9 E-03	--
Other Pollutants				
67-64-1	Acetone	5.7 E-06	4.5 E-06	--
74-86-2	Acetylene ^g	1.8 E-04	1.4 E-04	--
35572-78-2	2-Amino-4,6-dinitrotoluene ^g	ND	ND	6.4 E-04
19406-51-0	4-Amino-2,6-dinitrotoluene	ND	ND	6.4 E-04
100-52-7	Benzaldehyde ⁱ	1.9 E-05	1.5 E-05	--
623-27-8	1,4-Benzenedicarboxaldehyde ^j	1.9 E-05	1.5 E-05	--
617-94-7	Benzenemethanol,.alpha.,.alpha ^j	9.3 E-06	7.4 E-06	--
100-51-6	Benzyl alcohol	ND	ND	1.6 E-02
108-86-1	Bromobenzene	ND	ND	6.5 E-03
460-12-8	1,3-Butadiyne ^j	7.0 E-07	5.5 E-07	--
106-97-8	Butane	ND	ND	5.3 E-02
106-98-9	1-Butene	ND	ND	4.7 E-02
590-18-1	cis-Butene	ND	ND	4.7 E-02
624-64-6	trans-Butene	ND	ND	4.7 E-02
107-00-6	1-Butyne ^f	ND	ND	4.5 E-02
503-17-3	2-Butyne	ND	ND	4.5 E-02
7440-70-2	Calcium ^f	3.3 E-04	2.6 E-04	--
7440-44-0	Elemental carbon ^f	3.1 E-03	2.5 E-03	--
7440-44-0	Organic carbon	4.8 E-03	3.8 E-03	--
7440-44-0	Total carbon ^g	8.0 E-03	6.3 E-03	--
39638-32-9	bis(2-Chloroisopropyl)ether	ND	ND	1.6 E-02
59-50-7	4-Chloro-3-methylphenol	ND	ND	1.6 E-02
100-40-3	Cyclohexene, 4-ethenyl ^j	4.5 E-06	3.6 E-06	--
124-48-1	Dibromochloromethane	ND	ND	8.7 E-03

TABLE A5 (cont.)

CASRN ^a	Compound	Emission Factor ^{b,c}		Minimum Detection Level mg/m ^{3,e}
		lb per item	lb per lb NEW ^d	
156-59-2	cis-1,2-Dichloroethene	ND	ND	4.0 E-03
156-60-5	trans-1,2-Dichloroethene	ND	ND	4.0 E-03
10061-01-5	cis-1,3-Dichloropropene	ND	ND	4.6 E-03
84-66-2	Diethylphthalate	ND	ND	1.6 E-02
5779-94-2	2,5-Dimethylbenzaldehyde	ND	ND	7.1 E-03
117-84-0	Di-n-octylphthalate ^g	ND	ND	1.6 E-02
74-84-0	Ethane ^g	4.4 E-06	3.5 E-06	--
141-78-6	Ethyl acetate	ND	ND	3.7 E-03
97-63-2	Ethyl methacrylate	ND	ND	4.7 E-03
622-96-8	4-Ethyltoluene ^g	ND	ND	5.0 E-03
142-82-5	n-Heptane ^g	ND	ND	4.2 E-03
66-25-1	Hexaldehyde	ND	ND	7.1 E-03
591-78-6	2-Hexanone	ND	ND	4.2 E-03
2691-41-0	HMX	ND	ND	1.3 E-03
10035-10-6	Hydrogen bromide	ND	ND	5.1 E-02
75-28-5	Isobutane	ND	ND	4.8 E-02
115-11-7	Isobutylene	1.7 E-05	1.3 E-05	--
590-86-3	Isovaleraldehyde	ND	ND	7.1 E-03
7439-95-4	Magnesium ^g	3.3 E-04	2.6 E-04	--
78-93-3	Methyl ethyl ketone	ND	ND	3.0 E-03
98-83-9	alpha-Methylstyrene	ND	ND	4.9 E-03
479-45-8	Methyl-2,4,6-trinitrophenylnitramine	ND	ND	6.4 E-04
88-74-7	2-Nitroaniline	ND	ND	1.6 E-02
99-09-2	3-Nitroaniline	ND	ND	1.6 E-02
88-72-2	2-Nitrotoluene	ND	ND	6.5 E-04
99-08-1	3-Nitrotoluene	ND	ND	6.5 E-04
99-99-0	4-Nitrotoluene	ND	ND	6.4 E-04
111-65-9	Octane ^g	ND	ND	4.8 E-03
109-66-0	Pentane	ND	ND	6.0 E-02
14797-73-0	Perchlorate	ND	ND	7.1 E-02
536-74-3	Phenylethyne ⁱ	2.4 E-06	1.9 E-06	--
7664-38-2	Phosphoric acid	ND	ND	5.7 E-02
80-56-8	.alpha.-Pinene ^j	1.6 E-06	1.2 E-06	--
74-98-6	Propane ^g	ND	ND	3.7 E-02

TABLE A5 (cont.)

CASRN ^a	Compound	Emission Factor ^{b,c}		Minimum Detection Level mg/m ^{3,e}
		lb per item	lb per lb NEW ^d	
1070-71-9	Propiolonitrile ^j	5.9 E-07	4.7 E-07	--
74-99-7	Propyne ^g	ND	ND	3.3 E-02
578-66-5	8-Quinolinamine ^j	5.9 E-06	4.7 E-06	--
121-82-4	RDX	ND	ND	6.4 E-04
353-66-2	Silane, difluorodimethyl- ^j	1.6 E-06	1.3 E-06	--
1334-78-7	o,m,p-Tolualdehyde	ND	ND	2.1 E-02
25323-89-1	Trichloroethene	ND	ND	5.0 E-03
108-67-8	1,3,5-Trimethylbenzene ^g	ND	ND	5.0 E-03
99-35-4	1,3,5-Trinitrobenzene ^g	ND	ND	6.4 E-04
118-96-7	2,4,6-Trinitrotoluene ^g	ND	ND	6.4 E-04
115-86-6	Triphenyl phosphate ^j	3.2 E-06	2.5 E-06	--
110-62-3	Valeraldehyde	ND	ND	7.1 E-03

^a CASRN = Chemical Abstracts Service Registry Number.

^b ND = nondetected.

^c Emission factors rated C unless otherwise noted.

^d NEW = Net explosive weight. The NEW for this compound is 1.26 pounds per item.

^e Data provided for compounds that were not detected.

^f Emission factor rated A because of correlation with emission factors for similar ordnance and number of test data points.

^g Emission factor rated B because of correlation with emission factors for similar ordnance and number of test data points.

^h Emission factor was originally rated D because the factor is based upon C-rated test data, but because of correlation with emission factors for similar ordnance and number of data points the factor was upgraded from a D rating to a C rating.

ⁱ Emission factor rated D because the factor is based upon C-rated test data.

^j Emission factor rated D because the factor is for a tentatively identified compound.

TABLE A6 COMPOUNDS ANALYZED AND EMISSION FACTORS DEVELOPED FOR DODIC MM50, M221 CLIPPED SHAPED DEMOLITION CHARGE

CASRN ^a	Compound	Emission Factor ^{b,c}		Minimum Detection Level mg/m ^{3,e}
		lb per item	lb per lb NEW ^d	
Carbon Dioxide, Criteria Pollutants, Methane, and Total Suspended Particulate				
124-38-9	Carbon dioxide ^f	2.1 E-02	3.2 E-01	--
630-08-0	Carbon monoxide ^g	9.7 E-03	1.5 E-01	--
7439-92-1	Lead	1.9 E-04	2.9 E-03	--
74-82-8	Methane	3.5 E-04	5.3 E-03	--
--	Oxides of nitrogen ^f	3.6 E-04	5.4 E-03	--
--	PM-2.5 ^f	1.3 E-03	1.9 E-02	--
--	PM-10	5.2 E-03	7.8 E-02	--
7446-09-5	Sulfur dioxide	ND	ND	2.7 E-01
12789-66-1	Total suspended particulate	6.5 E-03	9.8 E-02	--
Hazardous Air Pollutants and Toxic Chemicals				
83-32-9	Acenaphthene ^g	ND	ND	1.7 E-02
208-96-8	Acenaphthylene ^g	6.2 E-08	9.4 E-07	--
75-07-0	Acetaldehyde	2.2 E-06	3.4 E-05	--
75-05-8	Acetonitrile ^g	5.8 E-05	8.8 E-04	--
107-02-8	Acrolein	ND	ND	7.4 E-03
107-13-1	Acrylonitrile ^g	9.0 E-07	1.4 E-05	--
107-05-1	Allyl chloride	ND	ND	3.2 E-03
7429-90-5	Aluminum ^g	6.5 E-05	9.9 E-04	--
7664-41-7	Ammonia ^g	1.4 E-03	2.2 E-02	--
120-12-7	Anthracene ^g	1.1 E-08	1.7 E-07	--
7440-38-2	Arsenic ^h	1.2 E-07	1.8 E-06	--
71-43-2	Benzene ^g	5.2 E-06	7.8 E-05	--
56-55-3	Benzo[a]anthracene ^g	5.8 E-09	8.7 E-08	--
205-99-2	Benzo[b]fluoranthene ^g	3.3 E-09	4.9 E-08	--
207-08-9	Benzo[k]fluoranthene ^g	3.8 E-09	5.7 E-08	--
191-24-2	Benzo[g,h,i]perylene ^g	1.4 E-09	2.2 E-08	--
50-32-8	Benzo[a]pyrene ^g	ND	ND	1.7 E-02
192-97-2	Benzo[e]pyrene ^g	3.4 E-09	5.1 E-08	--
7440-41-7	Beryllium	ND	ND	4.9 E-04
75-25-2	Bromoform	ND	ND	1.1 E-02
74-83-9	Bromomethane	ND	ND	3.9 E-03
101-55-3	4-Bromophenylphenylether	ND	ND	1.7 E-02
106-99-0	1,3-Butadiene ^f	ND	ND	4.5 E-02

TABLE A6 (cont.)

CASRN ^a	Compound	Emission Factor ^{b,c}		Minimum Detection Level mg/m ^{3,e}
		lb per item	lb per lb NEW ^d	
75-65-0	t-Butyl alcohol	ND	ND	3.1 E-03
85-68-7	Butylbenzylphthalate ^g	ND	ND	1.7 E-02
123-72-8	Butyraldehyde	ND	ND	7.4 E-03
7440-43-9	Cadmium ^h	1.7 E-07	2.6 E-06	--
75-15-0	Carbon disulfide	ND	ND	3.2 E-03
56-23-5	Carbon tetrachloride	ND	ND	6.4 E-03
106-47-8	4-Chloroaniline	ND	ND	1.7 E-02
108-90-7	Chlorobenzene	ND	ND	4.7 E-03
75-45-6	Chlorodifluoromethane	ND	ND	3.6 E-03
75-00-3	Chloroethane	ND	ND	2.7 E-03
111-91-1	bis(2-Chloroethoxy)methane	ND	ND	1.7 E-02
111-44-4	bis(2-Chloroethyl)ether	ND	ND	1.7 E-02
67-66-3	Chloroform	ND	ND	5.0 E-03
74-87-3	Chloromethane ^h	7.8 E-10	1.2 E-08	--
91-58-7	2-Chloronaphthalene	ND	ND	1.7 E-02
95-57-8	2-Chlorophenol	ND	ND	1.7 E-02
7005-72-3	4-Chlorophenyl-phenylether	ND	ND	1.7 E-02
7440-47-3	Chromium	5.5 E-06	8.4 E-05	--
18540-29-9	Hexavalent chromium ⁱ	2.6 E-08	4.0 E-07	--
218-01-9	Chrysene	5.3 E-09	8.1 E-08	--
7440-48-4	Cobalt ⁱ	1.6 E-07	2.5 E-06	--
7440-50-8	Copper ^g	5.4 E-04	8.2 E-03	--
106-44-5	p-Cresol	ND	ND	1.7 E-02
4170-30-3	Crotonaldehyde	ND	ND	7.4 E-03
98-82-8	Cumene ^g	ND	ND	5.0 E-03
57-12-5	Particulate cyanide	ND	ND	1.4 E-02
53-70-3	Dibenz[a,h]anthracene	ND	ND	1.7 E-05
132-64-9	Dibenzofuran	ND	ND	1.7 E-02
106-93-4	1,2-Dibromoethane	ND	ND	7.8 E-03
84-74-2	Dibutyl phthalate ^g	ND	ND	1.7 E-02
95-50-1	1,2-Dichlorobenzene	ND	ND	6.1 E-03
541-73-1	1,3-Dichlorobenzene	ND	ND	6.1 E-03
106-46-7	1,4-Dichlorobenzene	ND	ND	6.1 E-03
75-27-4	Dichlorobromomethane	ND	ND	6.8 E-03
75-71-8	Dichlorodifluoromethane	ND	ND	5.0 E-03

TABLE A6 (cont.)

CASRN ^a	Compound	Emission Factor ^{b,c}		Minimum Detection Level mg/m ^{3,e}
		lb per item	lb per lb NEW ^d	
75-34-3	1,1-Dichloroethane	ND	ND	4.1 E-03
107-06-2	1,2-Dichloroethane	ND	ND	4.1 E-03
75-43-4	Dichlorofluoromethane	ND	ND	4.3 E-03
120-83-2	2,4-Dichlorophenol	ND	ND	1.7 E-02
78-87-5	1,2-Dichloropropane	ND	ND	4.7 E-03
10061-02-6	trans-1,3-Dichloropropene	ND	ND	4.6 E-03
76-14-2	Dichlorotetrafluoroethane	ND	ND	7.1 E-03
105-67-9	2,4-Dimethylphenol	ND	ND	1.7 E-02
131-11-3	Dimethyl phthalate	ND	ND	1.7 E-02
99-65-0	1,3-Dinitrobenzene	ND	ND	6.5 E-04
534-52-1	4,6-Dinitro-2-methylphenol	ND	ND	1.7 E-02
51-28-5	2,4-Dinitrophenol	ND	ND	1.7 E-02
121-14-2	2,4-Dinitrotoluene	ND	ND	6.5 E-04
606-20-2	2,6-Dinitrotoluene ^g	ND	ND	6.5 E-04
123-91-1	1,4-Dioxane	ND	ND	3.7 E-03
--	Total dioxin/furan compounds	2.3 E-11	3.4 E-10	--
140-88-5	Ethyl acrylate	ND	ND	4.2 E-03
100-41-4	Ethylbenzene ^g	ND	ND	4.4 E-03
74-85-1	Ethylene	1.6 E-05	2.4 E-04	--
206-44-0	Fluoranthene ^g	1.6 E-08	2.4 E-07	--
86-73-7	Fluorene	2.3 E-08	3.5 E-07	--
50-00-0	Formaldehyde	1.1 E-06	1.7 E-05	--
76-13-1	Freon 113	ND	ND	7.8 E-03
35822-46-9	1,2,3,4,6,7,8-Heptachlorodibenzo-p-dioxin ^h	2.1 E-12	3.2 E-11	--
67562-39-4	1,2,3,4,6,7,8-Heptachlorodibenzofuran	6.1 E-13	9.2 E-12	--
55673-89-7	1,2,3,4,7,8,9-Heptachlorodibenzofuran	ND	ND	1.1 E-08
118-74-1	Hexachlorobenzene	ND	ND	1.7 E-02
87-68-3	Hexachlorobutadiene	ND	ND	1.1 E-02
77-47-4	Hexachlorocyclopentadiene	ND	ND	1.7 E-02
39227-28-6	1,2,3,4,7,8-Hexachlorodibenzo-p-dioxin	ND	ND	6.7 E-09
57653-85-7	1,2,3,6,7,8-Hexachlorodibenzo-p-dioxin	5.5 E-13	8.4 E-12	--

TABLE A6 (cont.)

CASRN ^a	Compound	Emission Factor ^{b,c}		Minimum Detection Level mg/m ^{3,e}
		lb per item	lb per lb NEW ^d	
19408-74-3	1,2,3,7,8,9-Hexachlorodibenzo-p-dioxin	4.9 E-13	7.4 E-12	--
70648-26-9	1,2,3,4,7,8-Hexachlorodibenzofuran	ND	ND	1.3 E-08
57117-44-9	1,2,3,6,7,8-Hexachlorodibenzofuran	ND	ND	1.2 E-08
72918-21-9	1,2,3,7,8,9-Hexachlorodibenzofuran	ND	ND	1.3 E-08
60851-34-5	2,3,4,6,7,8-Hexachlorodibenzofuran	ND	ND	1.3 E-08
67-72-1	Hexachloroethane	ND	ND	9.8 E-03
110-54-3	Hexane	ND	ND	7.2 E-02
7647-01-0	Hydrochloric acid	ND	ND	7.1 E-02
74-90-8	Hydrogen cyanide ^g	9.2 E-05	1.4 E-03	--
7664-39-3	Hydrogen fluoride	ND	ND	7.8 E-02
193-39-5	Indeno[1,2,3-cd]pyrene	1.1 E-09	1.6 E-08	--
78-59-1	Isophorone	ND	ND	1.7 E-02
7439-92-1	Lead	1.9 E-04	2.9 E-03	--
7439-96-5	Manganese ^g	2.4 E-05	3.6 E-04	--
96-33-3	Methyl acrylate	ND	ND	3.6 E-03
74-95-3	Methylene bromide	ND	ND	7.2 E-03
75-09-2	Methylene chloride	7.1 E-09	1.1 E-07	--
74-88-4	Methyl iodide	ND	ND	5.9 E-03
108-10-1	Methyl isobutyl ketone	ND	ND	4.2 E-03
80-62-6	Methyl methacrylate	ND	ND	4.2 E-03
91-57-6	2-Methylnaphthalene	ND	ND	1.7 E-02
95-48-7	2-Methylphenol	ND	ND	1.7 E-02
1634-04-4	Methyl tert-butyl ether	ND	ND	3.7 E-03
91-20-3	Naphthalene ^g	1.7 E-07	2.6 E-06	--
7440-02-0	Nickel ⁱ	2.5 E-06	3.8 E-05	--
7697-37-2	Nitric acid ^f	1.2 E-06	1.8 E-05	--
100-01-6	4-Nitroaniline	ND	ND	1.7 E-02
98-95-3	Nitrobenzene	ND	ND	6.5 E-04
55-63-0	Nitroglycerin ^h	7.9 E-07	1.2 E-05	--
88-75-5	2-Nitrophenol	ND	ND	1.7 E-02
100-02-7	4-Nitrophenol	ND	ND	1.7 E-02
62-75-9	n-Nitrosodimethylamine	ND	ND	1.7 E-02
86-30-6	n-Nitrosodiphenylamine	ND	ND	1.7 E-02
621-64-7	n-Nitroso-di-n-propylamine	ND	ND	1.7 E-02

TABLE A6 (cont.)

CASRN ^a	Compound	Emission Factor ^{b,c}		Minimum Detection Level mg/m ^{3,e}
		lb per item	lb per lb NEW ^d	
3268-87-9	1,2,3,4,6,7,8,9-Octachlorodibenzo- p-dioxin ^h	1.9 E-11	2.9 E-10	--
40321-76-4	1,2,3,7,8-Pentachlorodibenzo-p- dioxin	ND	ND	7.8 E-09
57117-41-6	1,2,3,7,8-Pentachlorodibenzofuran	ND	ND	9.0 E-09
57117-31-4	2,3,4,7,8-Pentachlorodibenzofuran	ND	ND	7.3 E-09
87-86-5	Pentachlorophenol	ND	ND	1.7 E-02
85-01-8	Phenanthrene ^g	4.8 E-08	7.3 E-07	--
108-95-2	Phenol ^g	ND	ND	1.7 E-02
123-38-6	Propionaldehyde	ND	ND	7.4 E-03
115-07-1	Propylene ^g	3.9 E-06	6.0 E-05	--
129-00-0	Pyrene ^f	3.0 E-08	4.6 E-07	--
7782-49-2	Selenium	ND	ND	4.9 E-04
7440-22-4	Silver ^h	5.1 E-08	7.6 E-07	--
100-42-5	Styrene ^g	8.8 E-07	1.3 E-05	--
7664-93-9	Sulfuric acid	ND	ND	2.5 E-01
1746-01-6	2,3,7,8-Tetrachlorodibenzo-p-dioxin	ND	ND	4.6 E-09
51207-31-9	2,3,7,8-Tetrachlorodibenzofuran	ND	ND	5.3 E-09
630-20-6	1,1,1,2-Tetrachloroethane	ND	ND	7.0 E-03
79-34-5	1,1,2,2-Tetrachloroethane	ND	ND	7.0 E-03
127-18-4	Tetrachloroethylene	ND	ND	6.9 E-03
7440-28-0	Thallium ^h	2.8 E-08	4.2 E-07	--
108-88-3	Toluene ^g	1.4 E-06	2.1 E-05	--
120-82-1	1,2,4-Trichlorobenzene	ND	ND	7.5 E-03
71-55-6	1,1,1-Trichloroethane	ND	ND	5.5 E-03
79-00-5	1,1,2-Trichloroethane	ND	ND	5.5 E-03
75-69-4	Trichlorofluoromethane	ND	ND	5.7 E-03
95-95-4	2,4,5-Trichlorophenol	ND	ND	1.7 E-02
88-06-2	2,4,6-Trichlorophenol	ND	ND	1.7 E-02
96-18-4	1,2,3-Trichloropropane	ND	ND	6.1 E-03
95-63-6	1,2,4-Trimethylbenzene ^g	ND	ND	5.0 E-03
540-84-1	2,2,4-Trimethylpentane ^g	ND	ND	4.8 E-03
7440-62-2	Vanadium ^h	5.0 E-07	7.6 E-06	--
108-05-4	Vinyl acetate	ND	ND	3.6 E-03
75-01-4	Vinyl chloride	ND	ND	2.6 E-03

TABLE A6 (cont.)

CASRN ^a	Compound	Emission Factor ^{b,c}		Minimum Detection Level mg/m ^{3,e}
		lb per item	lb per lb NEW ^d	
75-35-4	Vinylidene chloride	ND	ND	4.0 E-03
106-42-3, 108-38-3	m-Xylene, p-Xylene	ND	ND	4.4 E-03
95-47-6	o-Xylene ^g	ND	ND	4.4 E-03
7440-66-6	Zinc	3.4 E-04	5.1 E-03	--
Other Pollutants				
67-64-1	Acetone	ND	ND	1.5 E-02
74-86-2	Acetylene ^g	9.4 E-06	1.4 E-04	--
35572-78-2	2-Amino-4,6-dinitrotoluene ^g	ND	ND	6.5 E-04
19406-51-0	4-Amino-2,6-dinitrotoluene	ND	ND	6.5 E-04
100-52-7	Benzaldehyde	ND	ND	7.4 E-03
100-51-6	Benzyl alcohol	ND	ND	1.7 E-02
108-86-1	Bromobenzene	ND	ND	6.5 E-03
106-97-8	Butane	ND	ND	5.3 E-02
106-98-9	1-Butene ^f	ND	ND	4.7 E-02
590-18-1	cis-Butene	ND	ND	4.7 E-02
624-64-6	trans-Butene	ND	ND	4.7 E-02
107-00-6	1-Butyne	ND	ND	4.5 E-02
503-17-3	2-Butyne	ND	ND	4.5 E-02
7440-70-2	Calcium ^f	2.1 E-05	3.1 E-04	--
7440-44-0	Elemental carbon ^f	7.0 E-04	1.1 E-02	--
7440-44-0	Organic carbon	6.7 E-05	1.0 E-03	--
7440-44-0	Total carbon ^g	7.7 E-04	1.2 E-02	--
39638-32-9	bis(2-Chloroisopropyl)ether	ND	ND	1.7 E-02
59-50-7	4-Chloro-3-methylphenol	ND	ND	1.7 E-02
124-48-1	Dibromochloromethane	ND	ND	8.7 E-03
156-59-2	cis-1,2-Dichloroethene	ND	ND	4.0 E-03
156-60-5	trans-1,2-Dichloroethene	ND	ND	4.0 E-03
10061-01-5	cis-1,3-Dichloropropene	ND	ND	4.6 E-03
84-66-2	Diethylphthalate	ND	ND	1.7 E-02
5779-94-2	2,5-Dimethylbenzaldehyde	ND	ND	7.4 E-03
117-84-0	Di-n-octylphthalate ^g	ND	ND	1.7 E-02
74-84-0	Ethane ^g	1.2 E-05	1.8 E-04	--
141-78-6	Ethyl acetate	ND	ND	3.7 E-03
97-63-2	Ethyl methacrylate	ND	ND	4.7 E-03

TABLE A6 (cont.)

CASRN ^a	Compound	Emission Factor ^{b,c}		Minimum Detection Level mg/m ^{3,e}
		lb per item	lb per lb NEW ^d	
622-96-8	4-Ethyltoluene ^g	ND	ND	5.0 E-03
142-82-5	n-Heptane ^g	ND	ND	4.2 E-03
66-25-1	Hexaldehyde	ND	ND	7.4 E-03
591-78-6	2-Hexanone	ND	ND	4.2 E-03
2691-41-0	HMX	ND	ND	1.6 E-03
10035-10-6	Hydrogen bromide	ND	ND	6.3 E-02
75-28-5	Isobutane	ND	ND	4.8 E-02
115-11-7	Isobutylene	ND	ND	4.7 E-02
590-86-3	Isovaleraldehyde	ND	ND	7.4 E-03
7439-95-4	Magnesium ^g	1.4 E-05	2.1 E-04	--
78-93-3	Methyl ethyl ketone	ND	ND	3.0 E-03
98-83-9	alpha-Methylstyrene	ND	ND	4.9 E-03
479-45-8	Methyl-2,4,6-trinitrophenylnitramine	ND	ND	6.5 E-04
88-74-7	2-Nitroaniline	ND	ND	1.7 E-02
99-09-2	3-Nitroaniline	ND	ND	1.7 E-02
88-72-2	2-Nitrotoluene	ND	ND	6.5 E-04
99-08-1	3-Nitrotoluene	ND	ND	6.5 E-04
99-99-0	4-Nitrotoluene	ND	ND	6.5 E-04
111-65-9	Octane ^g	ND	ND	4.8 E-03
109-66-0	Pentane	ND	ND	6.0 E-02
14797-73-0	Perchlorate	ND	ND	6.8 E-02
7664-38-2	Phosphoric acid	ND	ND	6.9 E-02
80-56-8	.alpha.-Pinene ^j	3.5 E-07	5.2 E-06	--
463-49-0	1,2-Propadiene ^j	9.5 E-08	1.4 E-06	--
74-98-6	Propane ^g	ND	ND	3.7 E-02
74-99-7	Propyne ^g	ND	ND	3.3 E-02
121-82-4	RDX	ND	ND	6.5 E-04
1334-78-7	o,m,p-Tolualdehyde	ND	ND	2.2 E-02
25323-89-1	Trichloroethene	ND	ND	5.0 E-03
108-67-8	1,3,5-Trimethylbenzene ^g	ND	ND	5.0 E-03
99-35-4	1,3,5-Trinitrobenzene ^g	ND	ND	6.5 E-04
118-96-7	2,4,6-Trinitrotoluene ^g	ND	ND	6.5 E-04
110-62-3	Valeraldehyde	ND	ND	7.4 E-03

TABLE A6 (cont.)

- ^a CASRN = Chemical Abstracts Service Registry Number.
- ^b ND = nondetected.
- ^c Emission factors rated C unless otherwise noted.
- ^d NEW = Net explosive weight. The NEW for this compound is 6.62 E-02 pounds per item.
- ^e Data provided for compounds that were not detected.
- ^f Emission factor rated A because of correlation with emission factors for similar ordnance and number of test data points.
- ^g Emission factor rated B because of correlation with emission factors for similar ordnance and number of test data points.
- ^h Emission factor rated D because the factor is based upon C-rated test data.
- ⁱ Emission factor was originally rated D because the factor is based upon C-rated test data, but because of correlation with emission factors for similar ordnance and number of data points the factor was upgraded from a D rating to a C rating.
- ^j Emission factor rated D because the factor is for a tentatively identified compound.

TABLE A7 COMPOUNDS ANALYZED AND EMISSION FACTORS DEVELOPED FOR DODIC MN07, M15 NON-ELECTRIC TIME DELAY BLASTING CAP

CASRN ^a	Compound	Emission Factor ^{b,c}		Minimum Detection Level mg/m ^{3,e}
		lb per item	lb per lb NEW ^d	
Carbon Dioxide, Criteria Pollutants, Methane, and Total Suspended Particulate				
124-38-9	Carbon dioxide ^f	1.1 E-03	2.7 E-01	--
630-08-0	Carbon monoxide ^g	5.7 E-04	1.4 E-01	--
7439-92-1	Lead	1.8 E-04	4.3 E-02	--
74-82-8	Methane	3.9 E-05	9.7 E-03	--
--	Oxides of nitrogen ^f	4.2 E-05	1.0 E-02	--
--	PM-2.5 ^f	2.7 E-04	6.6 E-02	--
--	PM-10	3.7 E-04	9.0 E-02	--
7446-09-5	Sulfur dioxide	ND	ND	2.7 E-01
12789-66-1	Total suspended particulate	3.8 E-04	9.3 E-02	--
Hazardous Air Pollutants and Toxic Chemicals				
83-32-9	Acenaphthene ^g	ND	ND	1.7 E-02
208-96-8	Acenaphthylene ^g	1.0 E-09	2.5 E-07	--
75-07-0	Acetaldehyde	1.0 E-07	2.6 E-05	--
75-05-8	Acetonitrile ^g	1.3 E-06	3.2 E-04	--
107-02-8	Acrolein	ND	ND	7.2 E-03
107-13-1	Acrylonitrile ^g	2.2 E-07	5.3 E-05	--
107-05-1	Allyl chloride	ND	ND	3.2 E-03
7429-90-5	Aluminum ^g	1.8 E-05	4.4 E-03	--
7664-41-7	Ammonia ^g	5.7 E-06	1.4 E-03	--
120-12-7	Anthracene ^g	ND	ND	1.7 E-02
120-12-7	Anthracene	2.8 E-10	6.9 E-08	--
7440-38-2	Arsenic	ND	ND	5.0 E-04
71-43-2	Benzene ^g	1.5 E-06	3.7 E-04	--
56-55-3	Benzo[a]anthracene ^g	3.8 E-10	9.4 E-08	--
205-99-2	Benzo[b]fluoranthene ^g	3.5 E-10	8.5 E-08	--
207-08-9	Benzo[k]fluoranthene ^g	2.8 E-10	7.0 E-08	--
191-24-2	Benzo[g,h,i]perylene ^g	1.0 E-09	2.5 E-07	--
50-32-8	Benzo[a]pyrene ^g	ND	ND	1.7 E-02
192-97-2	Benzo[e]pyrene ^g	5.0 E-10	1.2 E-07	--
7440-41-7	Beryllium	ND	ND	5.0 E-04
75-25-2	Bromoform	ND	ND	1.1 E-02
74-83-9	Bromomethane	ND	ND	3.9 E-03
101-55-3	4-Bromophenylphenylether	ND	ND	1.7 E-02

TABLE A7 (cont.)

CASRN ^a	Compound	Emission Factor ^{b,c}		Minimum Detection Level mg/m ^{3,e}
		lb per item	lb per lb NEW ^d	
106-99-0	1,3-Butadiene ^f	ND	ND	4.5 E-02
75-65-0	t-Butyl alcohol	ND	ND	3.1 E-03
85-68-7	Butylbenzylphthalate ^g	ND	ND	1.7 E-02
123-72-8	Butyraldehyde	ND	ND	7.2 E-03
7440-43-9	Cadmium	1.9 E-08	4.6 E-06	--
75-15-0	Carbon disulfide	ND	ND	3.2 E-03
56-23-5	Carbon tetrachloride	ND	ND	6.4 E-03
106-47-8	4-Chloroaniline	ND	ND	1.7 E-02
108-90-7	Chlorobenzene	ND	ND	4.7 E-03
75-45-6	Chlorodifluoromethane	ND	ND	3.6 E-03
75-00-3	Chloroethane	ND	ND	2.7 E-03
111-91-1	bis(2-Chloroethoxy)methane	ND	ND	1.7 E-02
111-44-4	bis(2-Chloroethyl)ether	ND	ND	1.7 E-02
67-66-3	Chloroform	ND	ND	5.0 E-03
74-87-3	Chloromethane	ND	ND	2.1 E-03
91-58-7	2-Chloronaphthalene	ND	ND	1.7 E-02
95-57-8	2-Chlorophenol	ND	ND	1.7 E-02
7005-72-3	4-Chlorophenyl-phenylether	ND	ND	1.7 E-02
7440-47-3	Chromium	7.1 E-08	1.7 E-05	--
18540-29-9	Hexavalent chromium ^g	6.2 E-09	1.5 E-06	--
218-01-9	Chrysene	3.8 E-10	9.3 E-08	--
7440-48-4	Cobalt ^g	ND	ND	5.0 E-04
7440-50-8	Copper ^g	4.4 E-08	1.1 E-05	--
106-44-5	p-Cresol	ND	ND	1.7 E-02
4170-30-3	Crotonaldehyde	ND	ND	7.2 E-03
98-82-8	Cumene ^g	ND	ND	5.0 E-03
57-12-5	Particulate cyanide	ND	ND	1.5 E-02
53-70-3	Dibenz[a,h]anthracene	ND	ND	1.7 E-05
132-64-9	Dibenzofuran	ND	ND	1.7 E-02
106-93-4	1,2-Dibromoethane	ND	ND	7.8 E-03
84-74-2	Dibutyl phthalate ^g	ND	ND	1.7 E-02
95-50-1	1,2-Dichlorobenzene	ND	ND	6.1 E-03
541-73-1	1,3-Dichlorobenzene	ND	ND	6.1 E-03
106-46-7	1,4-Dichlorobenzene	ND	ND	6.1 E-03
75-27-4	Dichlorobromomethane	ND	ND	6.8 E-03

TABLE A7 (cont.)

CASRN ^a	Compound	Emission Factor ^{b,c}		Minimum Detection Level mg/m ^{3,e}
		lb per item	lb per lb NEW ^d	
75-71-8	Dichlorodifluoromethane	ND	ND	5.0 E-03
75-34-3	1,1-Dichloroethane	ND	ND	4.1 E-03
107-06-2	1,2-Dichloroethane	ND	ND	4.1 E-03
75-43-4	Dichlorofluoromethane	ND	ND	4.3 E-03
120-83-2	2,4-Dichlorophenol	ND	ND	1.7 E-02
78-87-5	1,2-Dichloropropane	ND	ND	4.7 E-03
10061-02-6	trans-1,3-Dichloropropene	ND	ND	4.6 E-03
76-14-2	Dichlorotetrafluoroethane	ND	ND	7.1 E-03
105-67-9	2,4-Dimethylphenol	ND	ND	1.7 E-02
131-11-3	Dimethyl phthalate	ND	ND	1.7 E-02
99-65-0	1,3-Dinitrobenzene	ND	ND	6.6 E-04
534-52-1	4,6-Dinitro-2-methylphenol	ND	ND	1.7 E-02
51-28-5	2,4-Dinitrophenol	ND	ND	1.7 E-02
121-14-2	2,4-Dinitrotoluene	ND	ND	6.6 E-04
606-20-2	2,6-Dinitrotoluene ^g	ND	ND	6.6 E-04
123-91-1	1,4-Dioxane	ND	ND	3.7 E-03
--	Total dioxin/furan compounds	7.1 E-13	1.8 E-10	--
140-88-5	Ethyl acrylate	ND	ND	4.2 E-03
100-41-4	Ethylbenzene ^g	ND	ND	4.4 E-03
74-85-1	Ethylene	8.6 E-06	2.1 E-03	--
117-81-7	bis(2-Ethylhexyl)phthalate ^f	ND	ND	1.7 E-02
206-44-0	Fluoranthene ^g	1.4 E-09	3.5 E-07	--
86-73-7	Fluorene	ND	ND	1.7 E-02
50-00-0	Formaldehyde	4.8 E-07	1.2 E-04	--
76-13-1	Freon 113	ND	ND	7.8 E-03
35822-46-9	1,2,3,4,6,7,8-Heptachlorodibenzo-p-dioxin ^h	4.1 E-13	1.0 E-10	--
55673-89-7	1,2,3,4,7,8,9-Heptachlorodibenzofuran	ND	ND	5.2 E-10
118-74-1	Hexachlorobenzene	ND	ND	1.7 E-02
87-68-3	Hexachlorobutadiene	ND	ND	1.1 E-02
77-47-4	Hexachlorocyclopentadiene	ND	ND	1.7 E-02
39227-28-6	1,2,3,4,7,8-Hexachlorodibenzo-p-dioxin ^h	3.1 E-15	7.6 E-13	--
57653-85-7	1,2,3,6,7,8-Hexachlorodibenzo-p-dioxin ^h	2.0 E-14	5.0 E-12	--

TABLE A7 (cont.)

CASRN ^a	Compound	Emission Factor ^{b,c}		Minimum Detection Level mg/m ^{3,e}
		lb per item	lb per lb NEW ^d	
19408-74-3	1,2,3,7,8,9-Hexachlorodibenzo-p-dioxin	ND	ND	3.4 E-10
57117-44-9	1,2,3,6,7,8-Hexachlorodibenzofuran	ND	ND	1.5 E-09
72918-21-9	1,2,3,7,8,9-Hexachlorodibenzofuran	ND	ND	1.6 E-09
60851-34-5	2,3,4,6,7,8-Hexachlorodibenzofuran	ND	ND	1.5 E-09
67-72-1	Hexachloroethane	ND	ND	9.8 E-03
110-54-3	Hexane	ND	ND	7.2 E-02
7647-01-0	Hydrochloric acid	ND	ND	7.2 E-02
74-90-8	Hydrogen cyanide ^g	4.5 E-06	1.1 E-03	--
7664-39-3	Hydrogen fluoride	ND	ND	7.8 E-02
193-39-5	Indeno[1,2,3-cd]pyrene	4.1 E-10	1.0 E-07	--
78-59-1	Isophorone	ND	ND	1.7 E-02
7439-92-1	Lead	1.8 E-04	4.3 E-02	--
7439-96-5	Manganese ^g	9.4 E-08	2.3 E-05	--
96-33-3	Methyl acrylate	ND	ND	3.6 E-03
74-95-3	Methylene bromide	ND	ND	7.2 E-03
75-09-2	Methylene chloride	0	0	--
74-88-4	Methyl iodide	ND	ND	5.9 E-03
108-10-1	Methyl isobutyl ketone	ND	ND	4.2 E-03
80-62-6	Methyl methacrylate	ND	ND	4.2 E-03
91-57-6	2-Methylnaphthalene	ND	ND	1.7 E-02
95-48-7	2-Methylphenol	ND	ND	1.7 E-02
1634-04-4	Methyl tert-butyl ether	ND	ND	3.7 E-03
91-20-3	Naphthalene ^g	1.8 E-08	4.6 E-06	--
7440-02-0	Nickel ^g	1.2 E-08	3.0 E-06	--
7697-37-2	Nitric acid ^f	ND	ND	3.4 E-02
100-01-6	4-Nitroaniline	ND	ND	1.7 E-02
98-95-3	Nitrobenzene	ND	ND	6.6 E-04
55-63-0	Nitroglycerin	3.3 E-07	8.1 E-05	--
88-75-5	2-Nitrophenol	ND	ND	1.7 E-02
100-02-7	4-Nitrophenol	ND	ND	1.7 E-02
62-75-9	n-Nitrosodimethylamine	ND	ND	1.7 E-02
86-30-6	n-Nitrosodiphenylamine	ND	ND	1.7 E-02
621-64-7	n-Nitroso-di-n-propylamine	ND	ND	1.7 E-02
40321-76-4	1,2,3,7,8-Pentachlorodibenzo-p-dioxin	ND	ND	3.7 E-09

TABLE A7 (cont.)

CASRN ^a	Compound	Emission Factor ^{b,c}		Minimum Detection Level mg/m ^{3,e}
		lb per item	lb per lb NEW ^d	
57117-41-6	1,2,3,7,8-Pentachlorodibenzofuran	ND	ND	1.0 E-09
57117-31-4	2,3,4,7,8-Pentachlorodibenzofuran	ND	ND	8.1 E-10
87-86-5	Pentachlorophenol	ND	ND	1.7 E-02
85-01-8	Phenanthrene ^g	1.4 E-09	3.5 E-07	--
108-95-2	Phenol ^g	ND	ND	1.7 E-02
123-38-6	Propionaldehyde	ND	ND	7.2 E-03
115-07-1	Propylene ^g	6.8 E-07	1.7 E-04	--
129-00-0	Pyrene ^f	2.8 E-09	7.0 E-07	--
7782-49-2	Selenium	ND	ND	5.0 E-04
7440-22-4	Silver	ND	ND	5.0 E-04
100-42-5	Styrene ^g	ND	ND	4.3 E-03
7664-93-9	Sulfuric acid	ND	ND	2.5 E-01
1746-01-6	2,3,7,8-Tetrachlorodibenzo-p-dioxin	ND	ND	8.9 E-10
51207-31-9	2,3,7,8-Tetrachlorodibenzofuran ^h	1.3 E-14	3.3 E-12	--
630-20-6	1,1,1,2-Tetrachloroethane	ND	ND	7.0 E-03
79-34-5	1,1,2,2-Tetrachloroethane	ND	ND	7.0 E-03
127-18-4	Tetrachloroethylene	ND	ND	6.9 E-03
7440-28-0	Thallium	4.0 E-08	9.8 E-06	--
108-88-3	Toluene ^g	9.4 E-08	2.3 E-05	--
120-82-1	1,2,4-Trichlorobenzene	ND	ND	7.5 E-03
71-55-6	1,1,1-Trichloroethane	ND	ND	5.5 E-03
79-00-5	1,1,2-Trichloroethane	ND	ND	5.5 E-03
75-69-4	Trichlorofluoromethane	ND	ND	5.7 E-03
95-95-4	2,4,5-Trichlorophenol	ND	ND	1.7 E-02
88-06-2	2,4,6-Trichlorophenol	ND	ND	1.7 E-02
96-18-4	1,2,3-Trichloropropane	ND	ND	6.1 E-03
95-63-6	1,2,4-Trimethylbenzene ^g	ND	ND	5.0 E-03
540-84-1	2,2,4-Trimethylpentane ^g	ND	ND	4.8 E-03
7440-62-2	Vanadium	4.0 E-09	9.8 E-07	--
108-05-4	Vinyl acetate	ND	ND	3.6 E-03
75-01-4	Vinyl chloride	ND	ND	2.6 E-03
75-35-4	Vinylidene chloride	ND	ND	4.0 E-03
106-42-3, 108-38-3	m-Xylene, p-Xylene	ND	ND	4.4 E-03
95-47-6	o-Xylene ^g	ND	ND	4.4 E-03

TABLE A7 (cont.)

CASRN ^a	Compound	Emission Factor ^{b,c}		Minimum Detection Level mg/m ^{3,e}
		lb per item	lb per lb NEW ^d	
7440-66-6	Zinc	1.9 E-06	4.6 E-04	--
Other Pollutants				
67-64-1	Acetone	ND	ND	1.5 E-02
74-86-2	Acetylene ^g	2.7 E-06	6.6 E-04	--
35572-78-2	2-Amino-4,6-dinitrotoluene ^g	ND	ND	6.6 E-04
19406-51-0	4-Amino-2,6-dinitrotoluene	ND	ND	6.6 E-04
100-52-7	Benzaldehyde	ND	ND	7.2 E-03
100-51-6	Benzyl alcohol	ND	ND	1.7 E-02
108-86-1	Bromobenzene	ND	ND	6.5 E-03
106-97-8	Butane	ND	ND	5.3 E-02
106-98-9	1-Butene ^f	ND	ND	4.7 E-02
590-18-1	cis-Butene	ND	ND	4.7 E-02
624-64-6	trans-Butene	ND	ND	4.7 E-02
107-00-6	1-Butyne	ND	ND	4.5 E-02
503-17-3	2-Butyne	ND	ND	4.5 E-02
7440-44-0	Elemental carbon ^f	1.6 E-07	3.9 E-05	--
7440-44-0	Organic carbon	4.5 E-06	1.1 E-03	--
7440-44-0	Total carbon ^g	4.7 E-06	1.2 E-03	--
39638-32-9	bis(2-Chloroisopropyl)ether	ND	ND	1.7 E-02
59-50-7	4-Chloro-3-methylphenol	ND	ND	1.7 E-02
124-48-1	Dibromochloromethane	ND	ND	8.7 E-03
156-59-2	cis-1,2-Dichloroethene	ND	ND	4.0 E-03
156-60-5	trans-1,2-Dichloroethene	ND	ND	4.0 E-03
10061-01-5	cis-1,3-Dichloropropene	ND	ND	4.6 E-03
84-66-2	Diethylphthalate	ND	ND	1.7 E-02
5779-94-2	2,5-Dimethylbenzaldehyde	ND	ND	7.2 E-03
117-84-0	Di-n-octylphthalate ^g	ND	ND	1.7 E-02
112-41-4	1-Dodecene ⁱ	5.0 E-08	1.2 E-05	--
74-84-0	Ethane ^g	2.2 E-06	5.5 E-04	--
141-78-6	Ethyl acetate	ND	ND	3.7 E-03
97-63-2	Ethyl methacrylate	ND	ND	4.7 E-03
622-96-8	4-Ethyltoluene ^g	ND	ND	5.0 E-03
142-82-5	n-Heptane ^g	ND	ND	4.2 E-03
66-25-1	Hexaldehyde	ND	ND	7.2 E-03
591-78-6	2-Hexanone	ND	ND	4.2 E-03

TABLE A7 (cont.)

CASRN ^a	Compound	Emission Factor ^{b,c}		Minimum Detection Level mg/m ^{3,e}
		lb per item	lb per lb NEW ^d	
2691-41-0	HMX	ND	ND	1.3 E-03
10035-10-6	Hydrogen bromide	ND	ND	6.3 E-02
75-28-5	Isobutane	ND	ND	4.8 E-02
115-11-7	Isobutylene	ND	ND	4.7 E-02
590-86-3	Isovaleraldehyde	ND	ND	7.2 E-03
7439-95-4	Magnesium ^g	5.8 E-07	1.4 E-04	--
78-93-3	Methyl ethyl ketone	ND	ND	3.0 E-03
98-83-9	alpha-Methylstyrene	ND	ND	4.9 E-03
479-45-8	Methyl-2,4,6-trinitrophenylnitramine	ND	ND	6.6 E-04
88-74-7	2-Nitroaniline	ND	ND	1.7 E-02
99-09-2	3-Nitroaniline	ND	ND	1.7 E-02
88-72-2	2-Nitrotoluene	ND	ND	6.6 E-04
99-08-1	3-Nitrotoluene	ND	ND	6.6 E-04
99-99-0	4-Nitrotoluene	ND	ND	6.6 E-04
111-65-9	Octane ^g	ND	ND	4.8 E-03
109-66-0	Pentane	ND	ND	6.0 E-02
109-67-1	1-Pentene ⁱ	1.3 E-08	3.3 E-06	--
14797-73-0	Perchlorate	ND	ND	7.1 E-02
7664-38-2	Phosphoric acid	ND	ND	6.9 E-02
463-49-0	1,2-Propadiene ⁱ	2.1 E-08	5.1 E-06	--
74-98-6	Propane ^g	ND	ND	3.7 E-02
74-99-7	Propyne ^g	ND	ND	3.3 E-02
121-82-4	RDX	ND	ND	6.6 E-04
7683-64-9	Squalene ⁱ	1.5 E-07	3.7 E-05	--
1334-78-7	o,m,p-Tolualdehyde	ND	ND	2.2 E-02
25323-89-1	Trichloroethene	ND	ND	5.0 E-03
108-67-8	1,3,5-Trimethylbenzene ^g	ND	ND	5.0 E-03
99-35-4	1,3,5-Trinitrobenzene ^g	ND	ND	6.6 E-04
118-96-7	2,4,6-Trinitrotoluene ^g	ND	ND	6.6 E-04
110-62-3	Valeraldehyde	ND	ND	7.2 E-03
7440-63-3	Xenon ⁱ	6.7 E-08	1.7 E-05	--

TABLE A7 (cont.)

- ^a CASRN = Chemical Abstracts Service Registry Number.
- ^b ND = nondetected.
- ^c Emission factors rated C unless otherwise noted.
- ^d NEW = Net explosive weight. The NEW for this compound is 4.06 E-03 pounds per item.
- ^e Data provided for compounds that were not detected.
- ^f Emission factor rated A because of correlation with emission factors for similar ordnance and number of test data points.
- ^g Emission factor rated B because of correlation with emission factors for similar ordnance and number of test data points.
- ^h Emission factor rated D because the factor is based upon C-rated test data.
- ⁱ Emission factor rated D because the factor is for a tentatively identified compound.

TABLE A8 COMPOUNDS ANALYZED AND EMISSION FACTORS DEVELOPED FOR DODIC N278, M564 MECHANICAL TIME AND SUPER QUICK (MTSQ) FUSE

CASRN ^a	Compound	Emission Factor ^{b,c}		Minimum Detection Level mg/m ^{3,e}
		lb per item	lb per lb NEW ^d	
Carbon Dioxide, Criteria Pollutants, Methane, and Total Suspended Particulate				
124-38-9	Carbon dioxide ^f	5.2 E-02	8.3 E-01	--
630-08-0	Carbon monoxide	8.7 E-04	1.4 E-02	--
7439-92-1	Lead ^f	5.1 E-04	8.1 E-03	--
74-82-8	Methane	1.1 E-05	1.7 E-04	--
--	Oxides of nitrogen ^f	8.3 E-04	1.3 E-02	--
--	PM-2.5 ^f	4.3 E-03	6.8 E-02	--
--	PM-10 ^f	7.9 E-03	1.2 E-01	--
7446-09-5	Sulfur dioxide	ND	ND	2.7 E-01
12789-66-1	Total suspended particulate ^f	8.8 E-03	1.4 E-01	--
Hazardous Air Pollutants and Toxic Chemicals				
83-32-9	Acenaphthene	ND	ND	1.7 E-02
208-96-8	Acenaphthylene	2.8 E-08	4.4 E-07	--
75-07-0	Acetaldehyde	1.3 E-06	2.1 E-05	--
75-05-8	Acetonitrile	2.8 E-06	4.5 E-05	--
107-02-8	Acrolein	ND	ND	7.2 E-03
107-13-1	Acrylonitrile	4.0 E-06	6.4 E-05	--
107-05-1	Allyl chloride	ND	ND	3.2 E-03
7429-90-5	Aluminum ^f	6.7 E-04	1.1 E-02	--
7664-41-7	Ammonia	6.5 E-06	1.0 E-04	--
120-12-7	Anthracene	3.9 E-09	6.1 E-08	--
7440-36-0	Antimony	5.0 E-05	7.9 E-04	--
7440-38-2	Arsenic	1.3 E-07	2.1 E-06	--
7440-39-3	Barium ^f	8.9 E-05	1.4 E-03	--
71-43-2	Benzene	9.7 E-07	1.5 E-05	--
56-55-3	Benzo[a]anthracene	1.8 E-09	2.8 E-08	--
205-99-2	Benzo[b]fluoranthene	1.1 E-09	1.8 E-08	--
207-08-9	Benzo[k]fluoranthene	1.9 E-09	3.1 E-08	--
191-24-2	Benzo[g,h,i]perylene	ND	ND	1.7 E-02
50-32-8	Benzo[a]pyrene	ND	ND	1.7 E-02
192-97-2	Benzo[e]pyrene	1.4 E-09	2.2 E-08	--
7440-41-7	Beryllium	ND	ND	4.9 E-04
75-25-2	Bromoform	ND	ND	1.1 E-02
74-83-9	Bromomethane	ND	ND	3.9 E-03

TABLE A8 (cont.)

CASRN ^a	Compound	Emission Factor ^{b,c}		Minimum Detection Level mg/m ^{3,e}
		lb per item	lb per lb NEW ^d	
101-55-3	4-Bromophenylphenylether	ND	ND	1.7 E-02
106-99-0	1,3-Butadiene	ND	ND	4.5 E-02
75-65-0	t-Butyl alcohol	ND	ND	3.1 E-03
85-68-7	Butylbenzylphthalate	ND	ND	1.7 E-02
123-72-8	Butyraldehyde	ND	ND	7.2 E-03
7440-43-9	Cadmium	8.2 E-07	1.3 E-05	--
75-15-0	Carbon disulfide ^g	1.1 E-07	1.7 E-06	--
56-23-5	Carbon tetrachloride	ND	ND	6.4 E-03
106-47-8	4-Chloroaniline	ND	ND	1.7 E-02
108-90-7	Chlorobenzene	ND	ND	4.7 E-03
75-45-6	Chlorodifluoromethane	ND	ND	3.6 E-03
75-00-3	Chloroethane	ND	ND	2.7 E-03
111-91-1	bis(2-Chloroethoxy)methane	ND	ND	1.7 E-02
111-44-4	bis(2-Chloroethyl)ether	ND	ND	1.7 E-02
67-66-3	Chloroform	ND	ND	5.0 E-03
74-87-3	Chloromethane ^g	7.2 E-08	1.1 E-06	--
91-58-7	2-Chloronaphthalene	ND	ND	1.7 E-02
95-57-8	2-Chlorophenol	ND	ND	1.7 E-02
7005-72-3	4-Chlorophenyl-phenylether	ND	ND	1.7 E-02
7440-47-3	Chromium	1.2 E-06	1.9 E-05	--
18540-29-9	Hexavalent chromium	ND	ND	5.6 E-04
218-01-9	Chrysene	3.3 E-09	5.2 E-08	--
7440-48-4	Cobalt	2.5 E-07	4.0 E-06	--
7440-50-8	Copper ^f	3.0 E-04	4.7 E-03	--
106-44-5	p-Cresol	ND	ND	1.7 E-02
4170-30-3	Crotonaldehyde	ND	ND	7.2 E-03
98-82-8	Cumene	ND	ND	5.0 E-03
57-12-5	Particulate cyanide	ND	ND	1.3 E-02
53-70-3	Dibenz[a,h]anthracene	ND	ND	1.7 E-05
132-64-9	Dibenzofuran	ND	ND	1.7 E-02
106-93-4	1,2-Dibromoethane	ND	ND	7.8 E-03
84-74-2	Dibutyl phthalate	ND	ND	1.7 E-02
95-50-1	1,2-Dichlorobenzene	ND	ND	6.1 E-03
541-73-1	1,3-Dichlorobenzene	ND	ND	6.1 E-03
106-46-7	1,4-Dichlorobenzene	ND	ND	1.7 E-02

TABLE A8 (cont.)

CASRN ^a	Compound	Emission Factor ^{b,c}		Minimum Detection Level mg/m ^{3,e}
		lb per item	lb per lb NEW ^d	
75-27-4	Dichlorobromomethane	ND	ND	6.8 E-03
75-71-8	Dichlorodifluoromethane	ND	ND	5.0 E-03
75-34-3	1,1-Dichloroethane	ND	ND	4.1 E-03
107-06-2	1,2-Dichloroethane	ND	ND	4.1 E-03
75-43-4	Dichlorofluoromethane	ND	ND	4.3 E-03
120-83-2	2,4-Dichlorophenol	ND	ND	1.7 E-02
78-87-5	1,2-Dichloropropane	ND	ND	4.7 E-03
10061-02-6	trans-1,3-Dichloropropene	ND	ND	4.6 E-03
76-14-2	Dichlorotetrafluoroethane	ND	ND	7.1 E-03
105-67-9	2,4-Dimethylphenol	ND	ND	1.7 E-02
131-11-3	Dimethyl phthalate	ND	ND	1.7 E-02
99-65-0	1,3-Dinitrobenzene	ND	ND	6.5 E-04
534-52-1	4,6-Dinitro-2-methylphenol	ND	ND	1.7 E-02
51-28-5	2,4-Dinitrophenol	ND	ND	1.7 E-02
121-14-2	2,4-Dinitrotoluene	ND	ND	6.5 E-04
606-20-2	2,6-Dinitrotoluene	ND	ND	6.5 E-04
123-91-1	1,4-Dioxane	ND	ND	3.7 E-03
--	Total dioxin/furan compounds	8.0 E-12	1.3 E-10	--
140-88-5	Ethyl acrylate	ND	ND	4.2 E-03
100-41-4	Ethylbenzene ^g	1.5 E-07	2.4 E-06	--
74-85-1	Ethylene	4.6 E-06	7.3 E-05	--
206-44-0	Fluoranthene	1.3 E-08	2.1 E-07	--
86-73-7	Fluorene	5.0 E-09	7.8 E-08	--
50-00-0	Formaldehyde	1.8 E-06	2.8 E-05	--
76-13-1	Freon 113	ND	ND	7.8 E-03
35822-46-9	1,2,3,4,6,7,8-Heptachlorodibenzo-p-dioxin ^f	1.1 E-12	1.7 E-11	--
67562-39-4	1,2,3,4,6,7,8-Heptachlorodibenzofuran	1.4 E-13	2.2 E-12	--
55673-89-7	1,2,3,4,7,8,9-Heptachlorodibenzofuran	9.8 E-14	1.5 E-12	--
118-74-1	Hexachlorobenzene	ND	ND	1.7 E-02
87-68-3	Hexachlorobutadiene	ND	ND	1.1 E-02
77-47-4	Hexachlorocyclopentadiene	ND	ND	1.7 E-02
39227-28-6	1,2,3,4,7,8-Hexachlorodibenzo-p-dioxin	ND	ND	1.2 E-09

TABLE A8 (cont.)

CASRN ^a	Compound	Emission Factor ^{b,c}		Minimum Detection Level mg/m ^{3,e}
		lb per item	lb per lb NEW ^d	
57653-85-7	1,2,3,6,7,8-Hexachlorodibenzo-p-dioxin	1.5 E-13	2.4 E-12	--
19408-74-3	1,2,3,7,8,9-Hexachlorodibenzo-p-dioxin	3.1 E-14	4.9 E-13	--
70648-26-9	1,2,3,4,7,8-Hexachlorodibenzofuran	3.1 E-13	4.8 E-12	--
57117-44-9	1,2,3,6,7,8-Hexachlorodibenzofuran	1.4 E-13	2.2 E-12	--
72918-21-9	1,2,3,7,8,9-Hexachlorodibenzofuran	ND	ND	4.0 E-09
60851-34-5	2,3,4,6,7,8-Hexachlorodibenzofuran	1.1 E-13	1.8 E-12	--
67-72-1	Hexachloroethane	ND	ND	9.8 E-03
110-54-3	Hexane	ND	ND	7.2 E-02
7647-01-0	Hydrochloric acid	ND	ND	5.9 E-02
74-90-8	Hydrogen cyanide	5.6 E-06	8.9 E-05	--
7664-39-3	Hydrogen fluoride	ND	ND	6.4 E-02
193-39-5	Indeno[1,2,3-cd]pyrene	3.6 E-10	5.8 E-09	--
78-59-1	Isophorone	ND	ND	1.7 E-02
7439-92-1	Lead ^f	5.1 E-04	8.1 E-03	--
7439-96-5	Manganese ^f	2.3 E-05	3.6 E-04	--
96-33-3	Methyl acrylate	ND	ND	3.6 E-03
74-95-3	Methylene bromide	ND	ND	7.2 E-03
75-09-2	Methylene chloride	1.5 E-07	2.3 E-06	--
74-88-4	Methyl iodide	ND	ND	5.9 E-03
108-10-1	Methyl isobutyl ketone	ND	ND	4.2 E-03
80-62-6	Methyl methacrylate	6.2 E-07	9.8 E-06	--
91-57-6	2-Methylnaphthalene	ND	ND	1.7 E-02
95-48-7	2-Methylphenol	ND	ND	1.7 E-02
1634-04-4	Methyl tert-butyl ether	ND	ND	3.7 E-03
91-20-3	Naphthalene	3.3 E-08	5.2 E-07	--
7440-02-0	Nickel	1.5 E-06	2.4 E-05	--
7697-37-2	Nitric acid	1.8 E-06	2.8 E-05	--
100-01-6	4-Nitroaniline	ND	ND	1.7 E-02
98-95-3	Nitrobenzene	ND	ND	6.5 E-04
55-63-0	Nitroglycerin	ND	ND	6.5 E-04
88-75-5	2-Nitrophenol	ND	ND	1.7 E-02
100-02-7	4-Nitrophenol	ND	ND	1.7 E-02
62-75-9	n-Nitrosodimethylamine	ND	ND	1.7 E-02
86-30-6	n-Nitrosodiphenylamine	ND	ND	1.7 E-02

TABLE A8 (cont.)

CASRN ^a	Compound	Emission Factor ^{b,c}		Minimum Detection Level mg/m ^{3,e}
		lb per item	lb per lb NEW ^d	
621-64-7	n-Nitroso-di-n-propylamine	ND	ND	1.7 E-02
3268-87-9	1,2,3,4,6,7,8,9-Octachlorodibenzo-p-dioxin	5.7 E-12	9.0 E-11	--
40321-76-4	1,2,3,7,8-Pentachlorodibenzo-p-dioxin	ND	ND	2.9 E-09
57117-41-6	1,2,3,7,8-Pentachlorodibenzofuran	1.1 E-13	1.7 E-12	--
57117-31-4	2,3,4,7,8-Pentachlorodibenzofuran	1.5 E-13	2.3 E-12	--
87-86-5	Pentachlorophenol	ND	ND	1.7 E-02
85-01-8	Phenanthrene	3.1 E-08	4.9 E-07	--
108-95-2	Phenol	ND	ND	1.7 E-02
123-38-6	Propionaldehyde	ND	ND	7.2 E-03
115-07-1	Propylene	ND	ND	3.5 E-02
129-00-0	Pyrene	1.4 E-08	2.2 E-07	--
7782-49-2	Selenium	ND	ND	4.9 E-04
7440-22-4	Silver	1.2 E-07	1.9 E-06	--
100-42-5	Styrene ^g	1.5 E-07	2.3 E-06	--
7664-93-9	Sulfuric acid	ND	ND	2.1 E-01
1746-01-6	2,3,7,8-Tetrachlorodibenzo-p-dioxin	ND	ND	2.8 E-09
51207-31-9	2,3,7,8-Tetrachlorodibenzofuran	ND	ND	9.3 E-10
630-20-6	1,1,1,2-Tetrachloroethane	ND	ND	7.0 E-03
79-34-5	1,1,2,2-Tetrachloroethane	ND	ND	7.0 E-03
127-18-4	Tetrachloroethylene	ND	ND	6.9 E-03
7440-28-0	Thallium	9.4 E-08	1.5 E-06	--
108-88-3	Toluene	2.1 E-07	3.3 E-06	--
120-82-1	1,2,4-Trichlorobenzene	ND	ND	7.5 E-03
71-55-6	1,1,1-Trichloroethane	ND	ND	5.5 E-03
79-00-5	1,1,2-Trichloroethane	ND	ND	5.5 E-03
75-69-4	Trichlorofluoromethane	ND	ND	5.7 E-03
95-95-4	2,4,5-Trichlorophenol	ND	ND	1.7 E-02
88-06-2	2,4,6-Trichlorophenol	ND	ND	1.7 E-02
96-18-4	1,2,3-Trichloropropane	ND	ND	6.1 E-03
95-63-6	1,2,4-Trimethylbenzene	ND	ND	5.0 E-03
540-84-1	2,2,4-Trimethylpentane	ND	ND	4.8 E-03
7440-62-2	Vanadium ^f	9.4 E-08	1.5 E-06	--
108-05-4	Vinyl acetate	ND	ND	3.6 E-03

TABLE A8 (cont.)

CASRN ^a	Compound	Emission Factor ^{b,c}		Minimum Detection Level mg/m ^{3,e}
		lb per item	lb per lb NEW ^d	
75-01-4	Vinyl chloride	ND	ND	2.6 E-03
75-35-4	Vinylidene chloride	ND	ND	4.0 E-03
106-42-3, 108-38-3	m-Xylene, p-Xylene	ND	ND	4.4 E-03
95-47-6	o-Xylene	ND	ND	4.4 E-03
7440-66-6	Zinc	1.7 E-04	2.7 E-03	--
Other Pollutants				
67-64-1	Acetone	8.8 E-07	1.4 E-05	--
74-86-2	Acetylene	2.2 E-06	3.4 E-05	--
35572-78-2	2-Amino-4,6-dinitrotoluene	ND	ND	6.5 E-04
19406-51-0	4-Amino-2,6-dinitrotoluene	ND	ND	6.5 E-04
100-52-7	Benzaldehyde	ND	ND	7.2 E-03
97-02-9	Benzenamine, 2,4-dinitro ^h	2.8 E-07	4.5 E-06	--
489-98-5	Benzenamine, 2,4,6-trinitro ⁱ	1.6 E-06	2.6 E-05	--
100-51-6	Benzyl alcohol	ND	ND	1.7 E-02
108-86-1	Bromobenzene	ND	ND	6.5 E-03
106-97-8	Butane	ND	ND	5.3 E-02
106-98-9	1-Butene	ND	ND	4.7 E-02
590-18-1	cis-Butene	ND	ND	4.7 E-02
624-64-6	trans-Butene	ND	ND	4.7 E-02
107-00-6	1-Butyne	ND	ND	4.5 E-02
503-17-3	2-Butyne	ND	ND	4.5 E-02
7440-70-2	Calcium	1.4 E-05	2.2 E-04	--
7440-44-0	Elemental carbon	1.8 E-04	2.9 E-03	--
7440-44-0	Organic carbon	7.9 E-05	1.3 E-03	--
7440-44-0	Total carbon	2.6 E-04	4.2 E-03	--
39638-32-9	bis(2-Chloroisopropyl)ether	ND	ND	1.7 E-02
59-50-7	4-Chloro-3-methylphenol	ND	ND	1.7 E-02
124-48-1	Dibromochloromethane	ND	ND	8.7 E-03
156-59-2	cis-1,2-Dichloroethene	ND	ND	4.0 E-03
156-60-5	trans-1,2-Dichloroethene	ND	ND	4.0 E-03
10061-01-5	cis-1,3-Dichloropropene	ND	ND	4.6 E-03
84-66-2	Diethylphthalate	ND	ND	1.7 E-02
5779-94-2	2,5-Dimethylbenzaldehyde	ND	ND	7.2 E-03
117-84-0	Di-n-octylphthalate	ND	ND	1.7 E-02

TABLE A8 (cont.)

CASRN ^a	Compound	Emission Factor ^{b,c}		Minimum Detection Level mg/m ^{3,e}
		lb per item	lb per lb NEW ^d	
74-84-0	Ethane	ND	ND	2.5 E-02
141-78-6	Ethyl acetate	ND	ND	3.7 E-03
97-63-2	Ethyl methacrylate	ND	ND	4.7 E-03
622-96-8	4-Ethyltoluene	ND	ND	5.0 E-03
142-82-5	n-Heptane	ND	ND	4.2 E-03
66-25-1	Hexaldehyde	ND	ND	7.2 E-03
591-78-6	2-Hexanone	ND	ND	4.2 E-03
2691-41-0	HMX	ND	ND	1.6 E-03
10035-10-6	Hydrogen bromide	ND	ND	5.2 E-02
75-28-5	Isobutane	ND	ND	4.8 E-02
115-11-7	Isobutylene	ND	ND	4.7 E-02
590-86-3	Isovaleraldehyde	ND	ND	7.2 E-03
7439-95-4	Magnesium	9.4 E-06	1.5 E-04	--
78-93-3	Methyl ethyl ketone	ND	ND	3.0 E-03
98-83-9	alpha-Methylstyrene	ND	ND	4.9 E-03
479-45-8	Methyl-2,4,6-trinitrophenylnitramine	4.3 E-05	6.8 E-04	--
88-74-7	2-Nitroaniline	ND	ND	1.7 E-02
99-09-2	3-Nitroaniline	ND	ND	1.7 E-02
88-72-2	2-Nitrotoluene	ND	ND	6.5 E-04
99-08-1	3-Nitrotoluene	ND	ND	6.5 E-04
99-99-0	4-Nitrotoluene	ND	ND	6.5 E-04
111-65-9	Octane	ND	ND	4.8 E-03
109-66-0	Pentane	ND	ND	6.0 E-02
14797-73-0	Perchlorate	ND	ND	7.1 E-02
7664-38-2	Phosphoric acid	ND	ND	5.7 E-02
74-98-6	Propane	ND	ND	3.7 E-02
1070-71-9	Propiolonitrile ⁱ	7.2 E-08	1.1 E-06	--
74-99-7	Propyne	ND	ND	3.3 E-02
121-82-4	RDX	ND	ND	6.5 E-04
1334-78-7	o,m,p-Tolualdehyde	ND	ND	2.2 E-02
25323-89-1	Trichloroethene	ND	ND	5.0 E-03
108-67-8	1,3,5-Trimethylbenzene	ND	ND	5.0 E-03
99-35-4	1,3,5-Trinitrobenzene	ND	ND	6.5 E-04
118-96-7	2,4,6-Trinitrotoluene	6.7 E-08	1.1 E-06	--

TABLE A8 (cont.)

CASRN ^a	Compound	Emission Factor ^{b,c}		Minimum Detection Level mg/m ^{3,e}
		lb per item	lb per lb NEW ^d	
110-62-3	Valeraldehyde	ND	ND	7.2 E-03

^a CASRN = Chemical Abstracts Service Registry Number.

^b ND = nondetected.

^c Emission factors rated C unless otherwise noted.

^d NEW = Net explosive weight. The NEW for this compound is 6.32 E-02 pounds per item.

^e Data provided for compounds that were not detected.

^f Emission factor rated B because of correlation with emission factors for similar ordnance and number of test data points.

^g Emission factor rated D because the factor is based upon C-rated test data.

^h Emission factor rated D because the factor is a tentatively identified compound.

APPENDIX B

NEW AP-42 SECTIONS FOR ORDNANCE INCLUDED IN EXPLODING ORDNANCE EMISSION STUDY PHASE II SERIES 11 TESTING AT ABERDEEN PROVING GROUND, MARYLAND

Electronic versions of the new AP-42 sections for ordnance included in Exploding Ordnance Emission Study Phase II Series 11 testing at Aberdeen Proving Ground, Maryland, are located on the EPA website at: <http://www.epa.gov/ttn/chief/ap42/index.html>.

This page left blank intentionally.